



SAT Control System



Weekly Meeting
February 28th, 2012



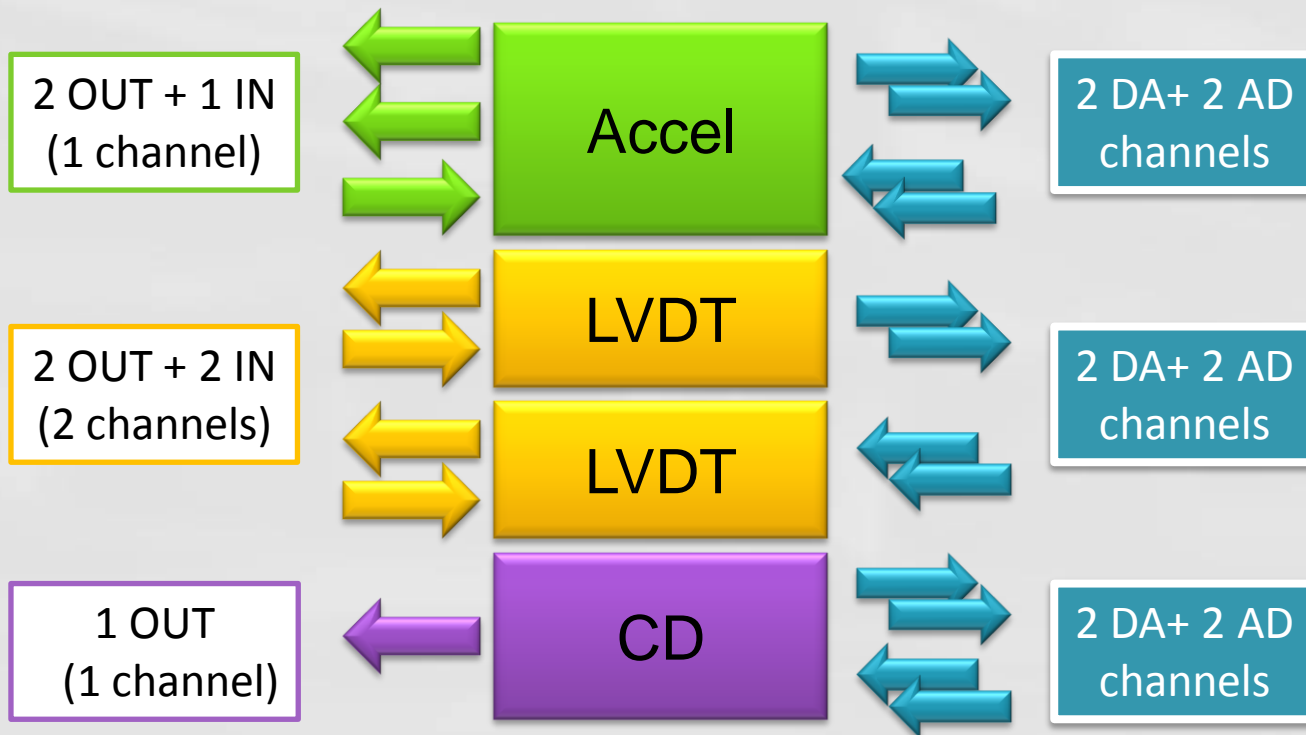
Meeting Agenda

- Status Report
- Coil Driver (all)
- LVDT (all)
- AOB

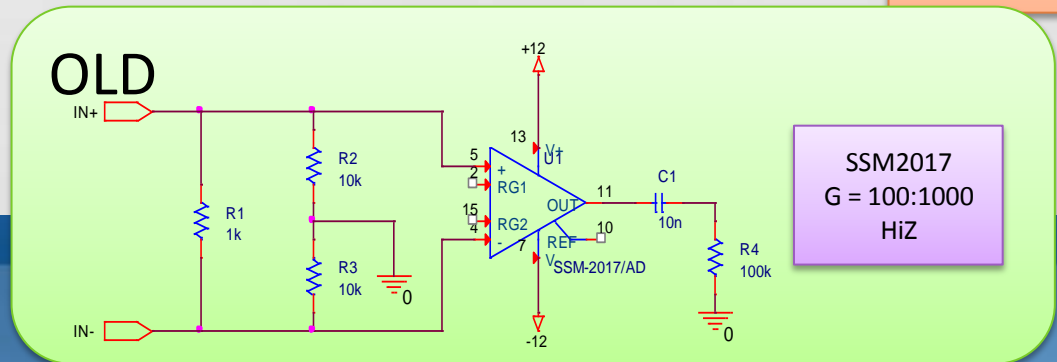
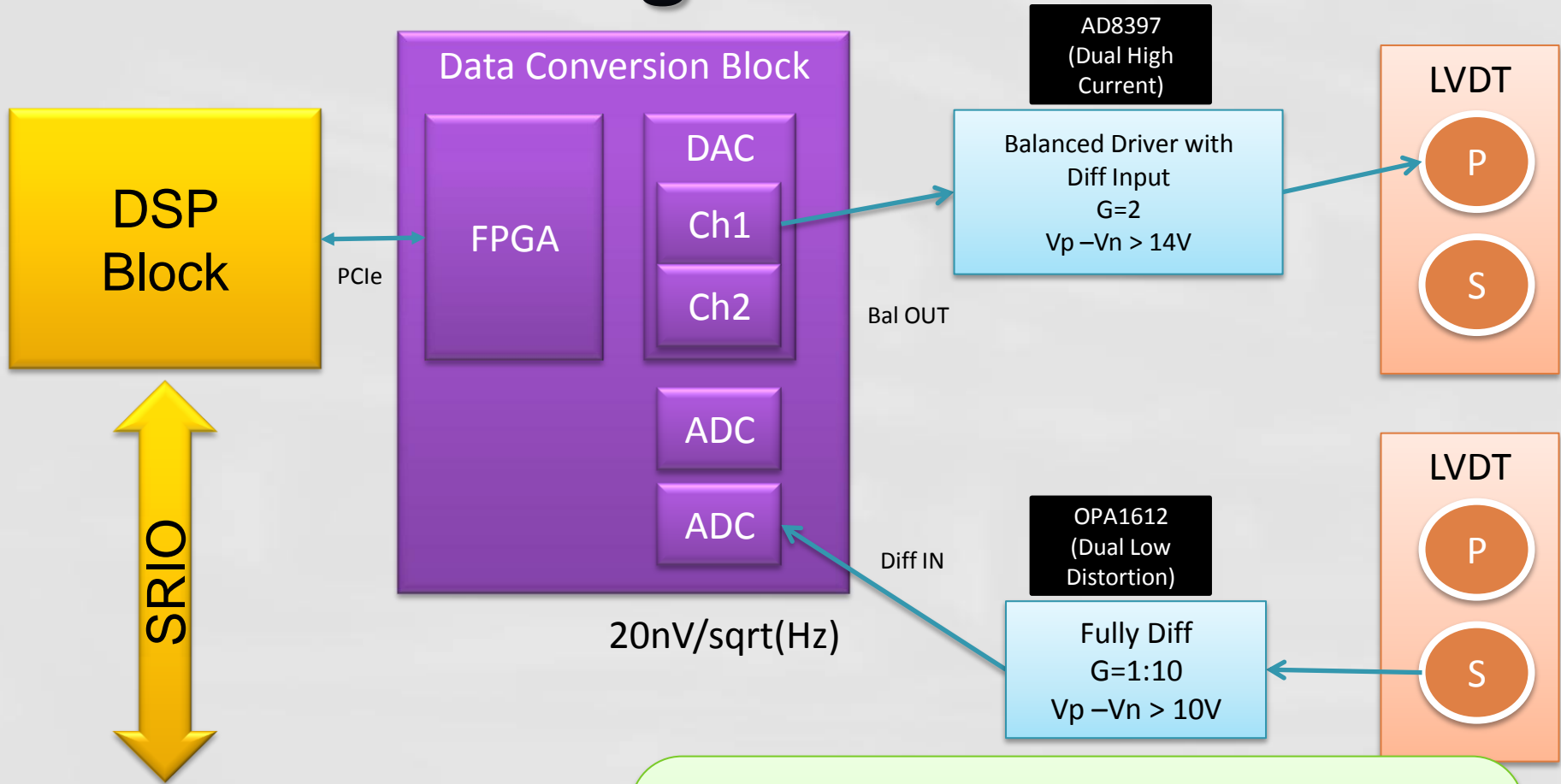
Channels

Analog Domain

Digital Domain



LVDT Block Diagram



Communications

