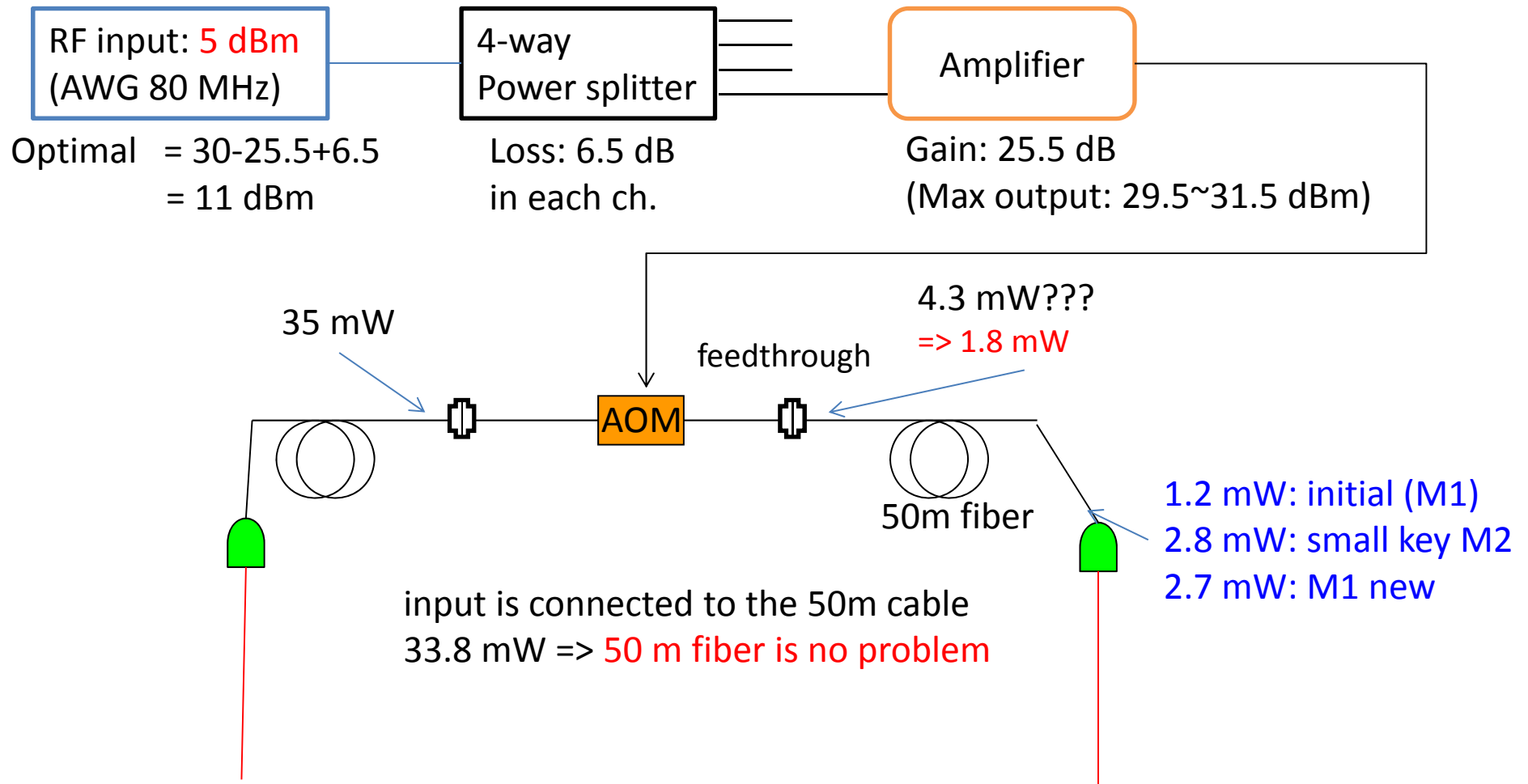


TCS-PC meeting

Kazuhiro Agatsuma

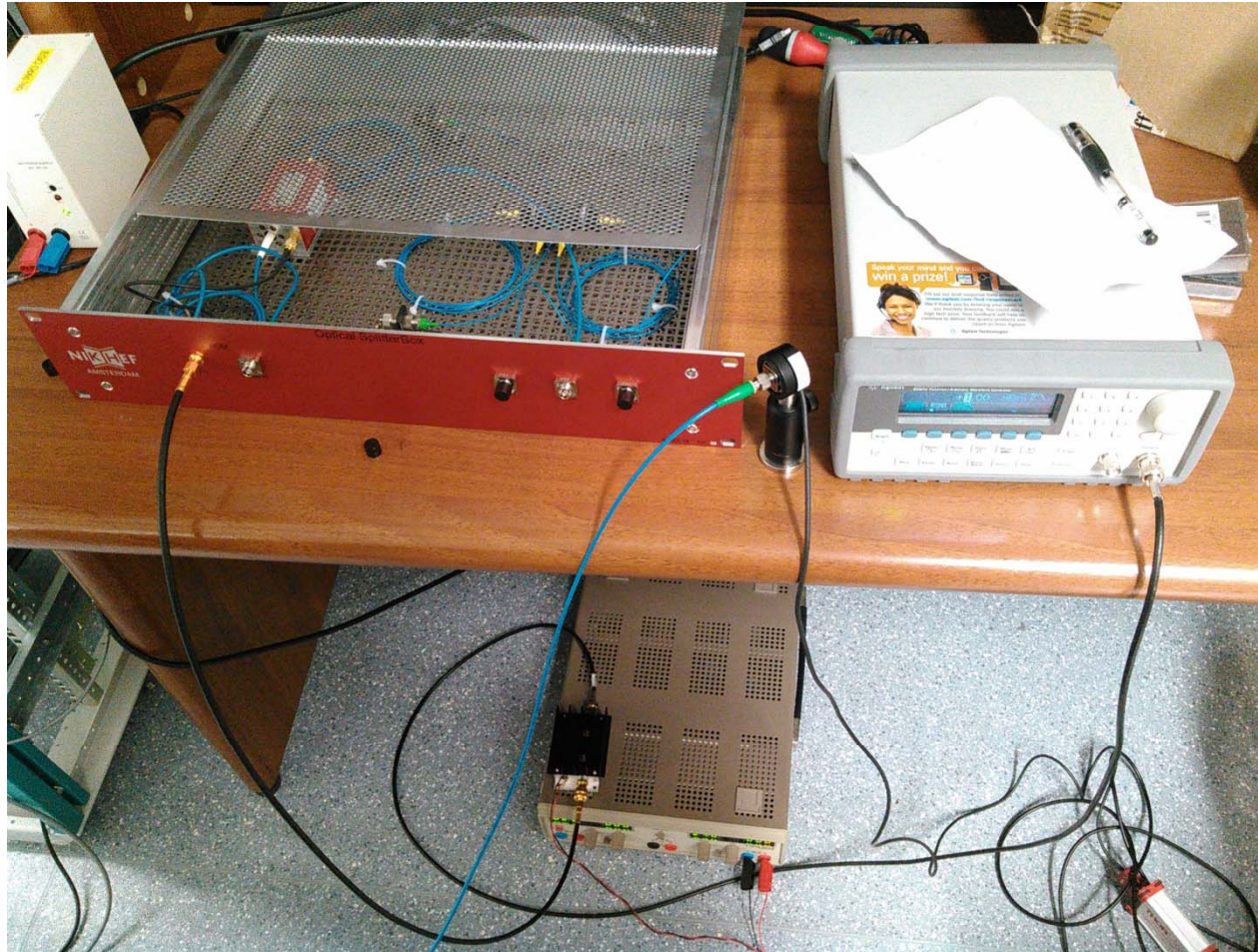
2016/Mar./18

Laser power measurement



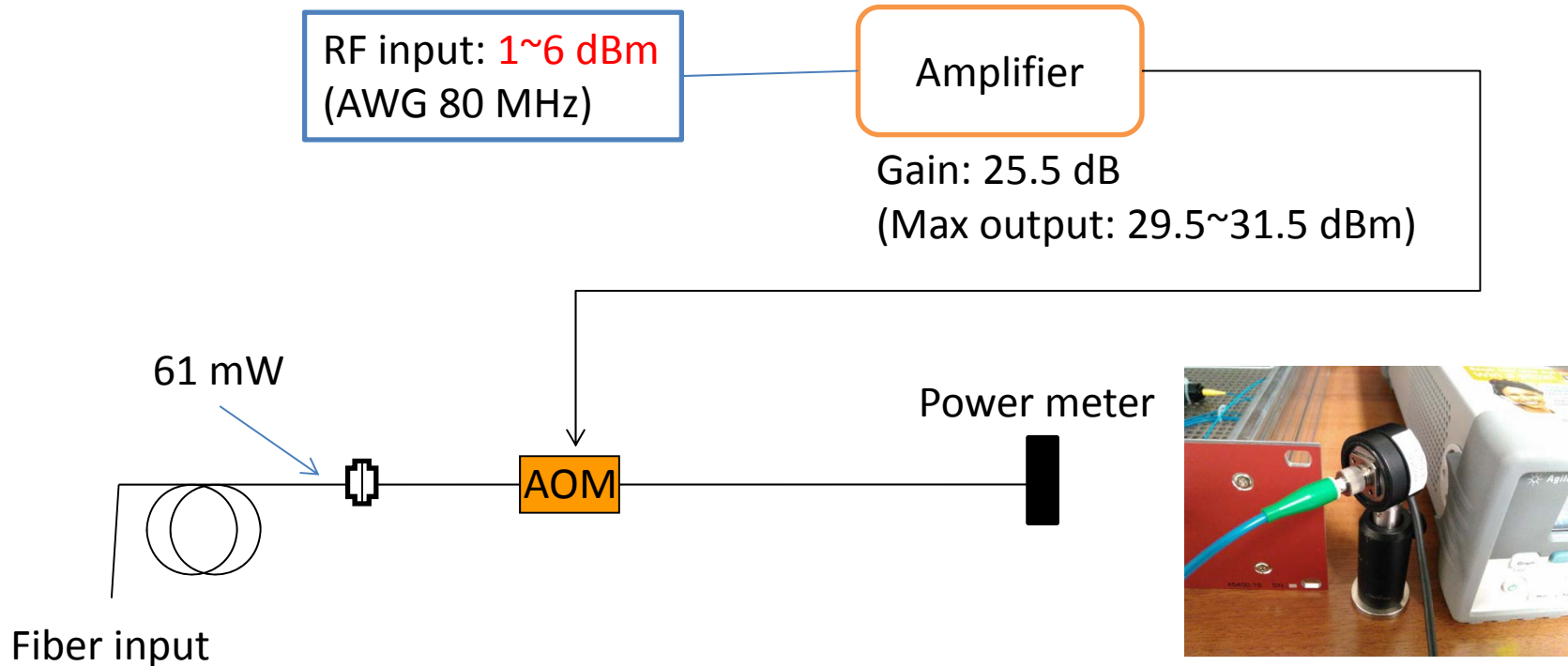
Unstable behavior

AOM efficiency check



@EGO optical experiment room

AOM efficiency check

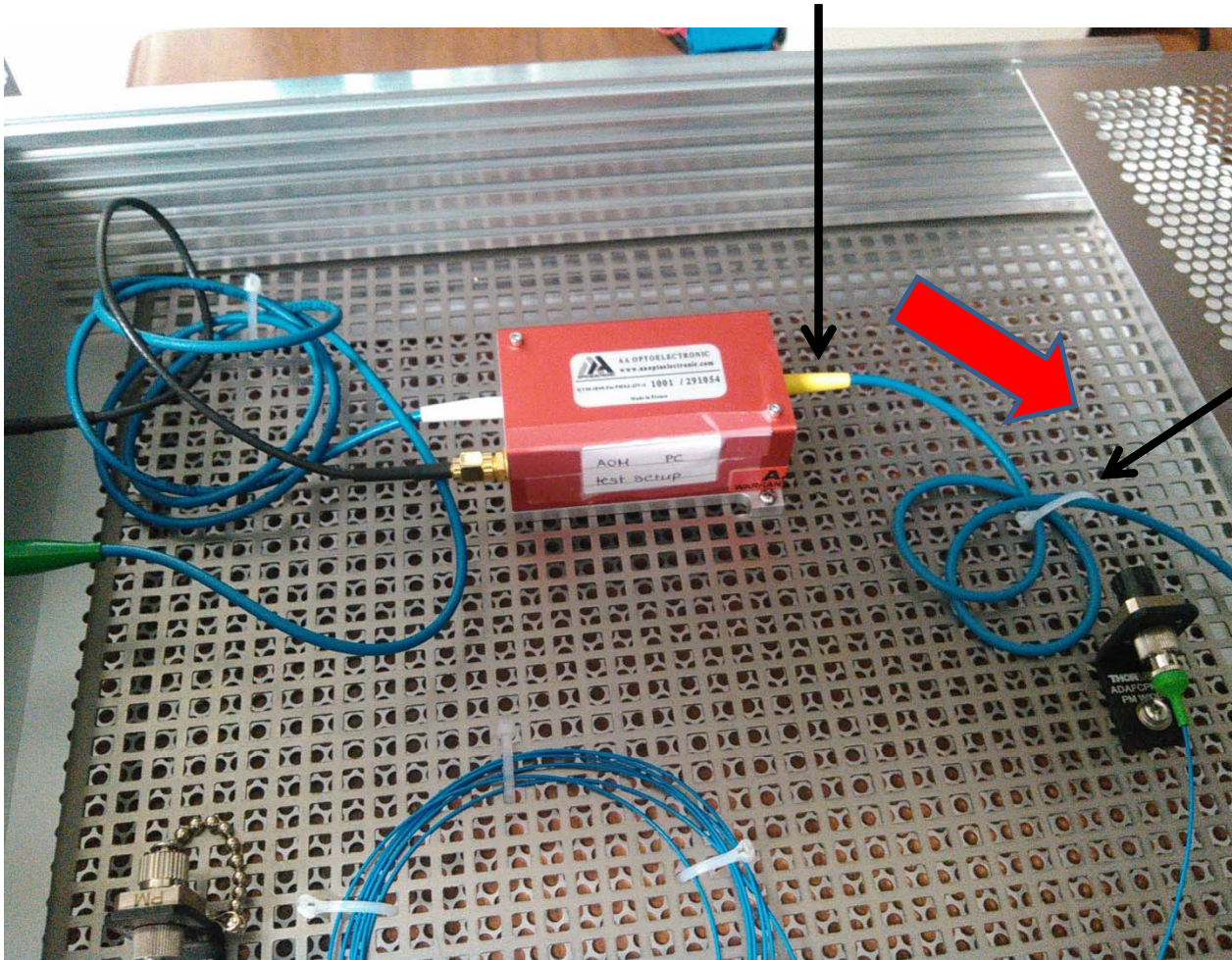


5 dBm input (30.5 dBm in total)

Output: 10 mW → 26.5 mW **Unstable behavior???**

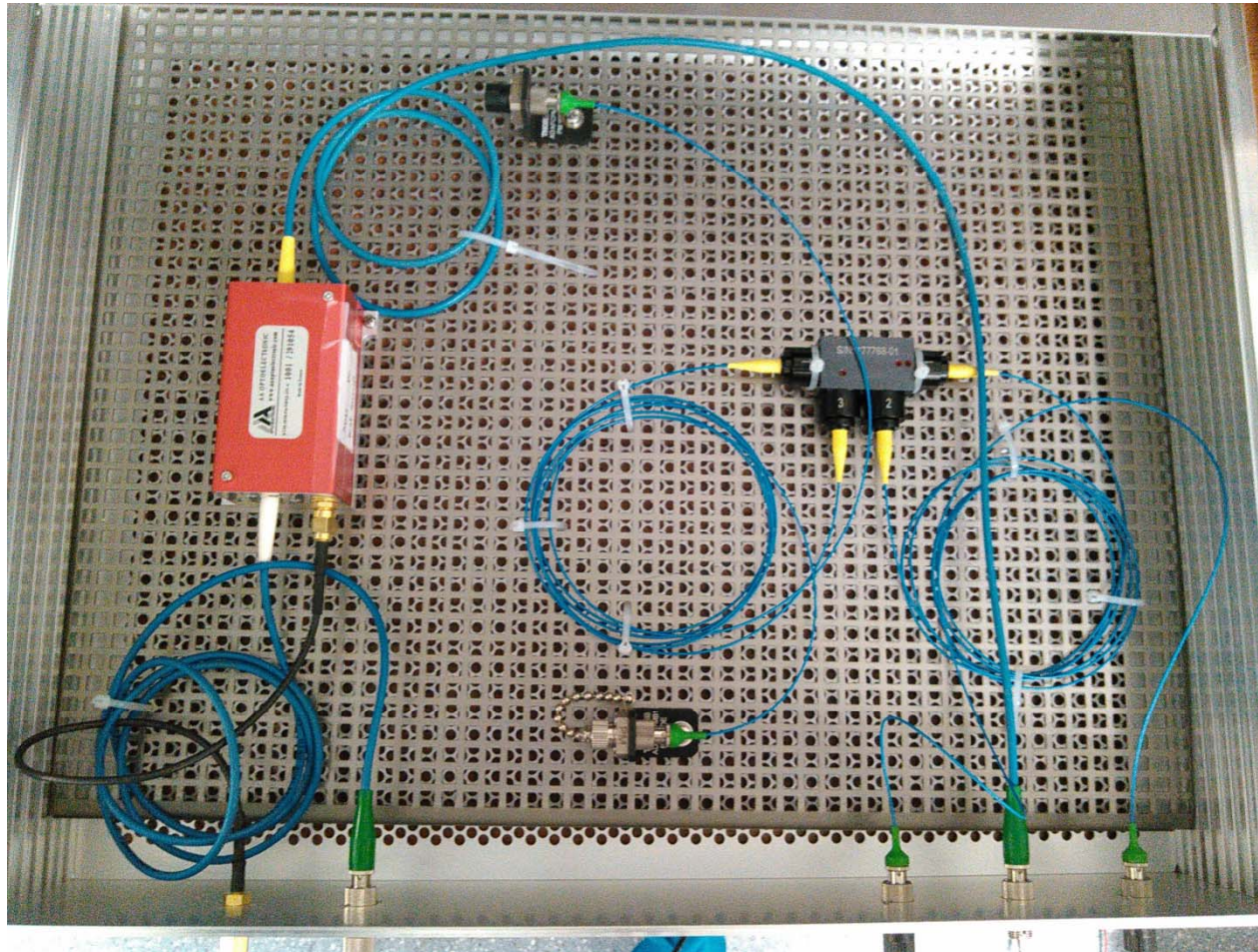
The reason

Sensitive against incline made by cable tension



Too small
radius of pig tail
made a tension

Fixed!



4 dBm input (29.5 dBm in total): 28.3 mW ($28.3/61 = 46\%$)

5 dBm input (30.5 dBm in total): 31.3 mW ($31.3/61 = 51\%$)

6 dBm input (31.5 dBm in total): 34.0 mW ($34.0/61 = 56\%$)

Consistent!

misc

- The PD power supply was broken (output is OK. Display was broken.)
- Optical fiber connectors look no problem

Schedules

- Visiting Virgo site
 - 11th-15th/April
- Conferences
 - The 21st Symposium on Astroparticle Physics in the Netherlands: 31st/March, 1st/April
 - FYSICA: 8th/April
- Next meeting
 - TCS-PC meeting: 15th/April???