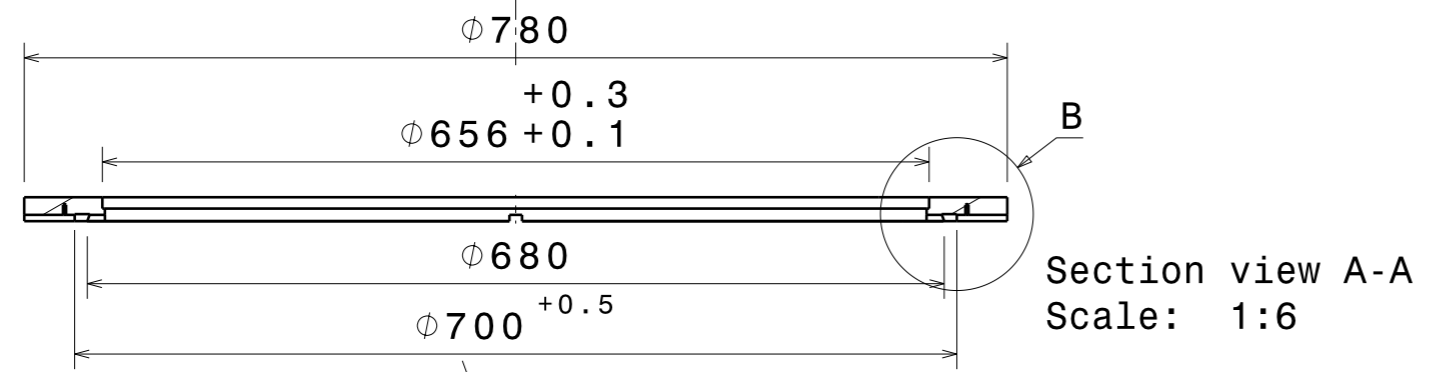
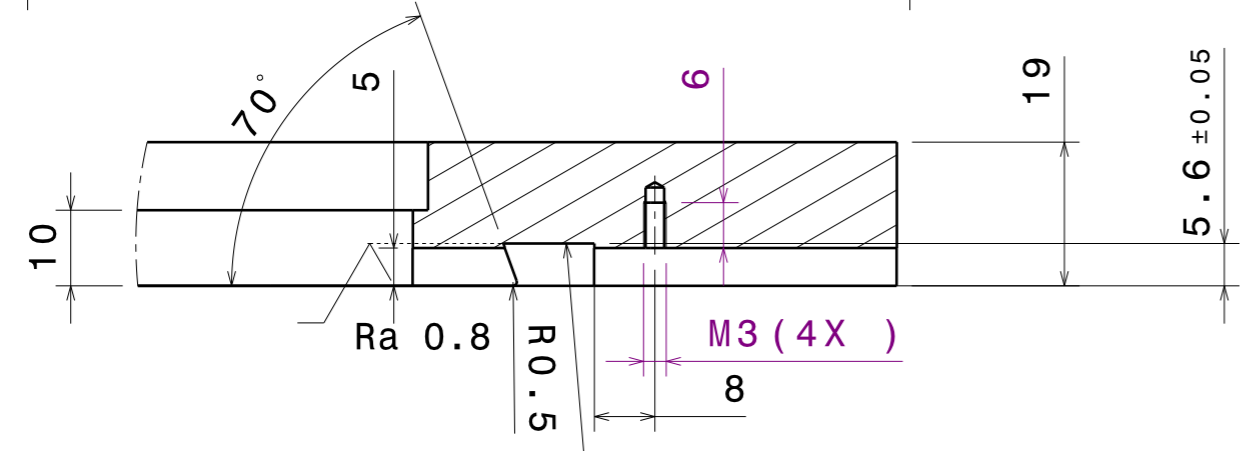


Scale: 1:6

Isometric view
Scale: 1:8


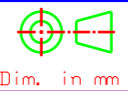


Section view A-A
Scale: 1:6



Detail B
Scale: 1:1

The lay of the tooling marks Radial

03	XX	XX	AISI 304L	XX	XX
PART NO.	NUMBER	TITLE	MATERIAL	SIZE/NOTE	I. D. NO./NORM
Project: X			Date		Name
Title: VALVE FLANGE			Revision		
Scale: 1:6			Drawn: M Doets		
Date: 22-06-2011			Checked:		
					
General tolerances unless otherwise stated according to ISO-2768-mK-E		Geometrical tolerances unless otherwise stated according to ISO-8015-E		Roughness unless otherwise stated according to DIN 1302	
Size A3		Identification No.: 2.01.002			
P.O. 41882, 1009 DB Amsterdam, The Netherlands			Sheet No: X Number of sheets: X		
This drawing may not be used for commercial purposes without written authorisation.					