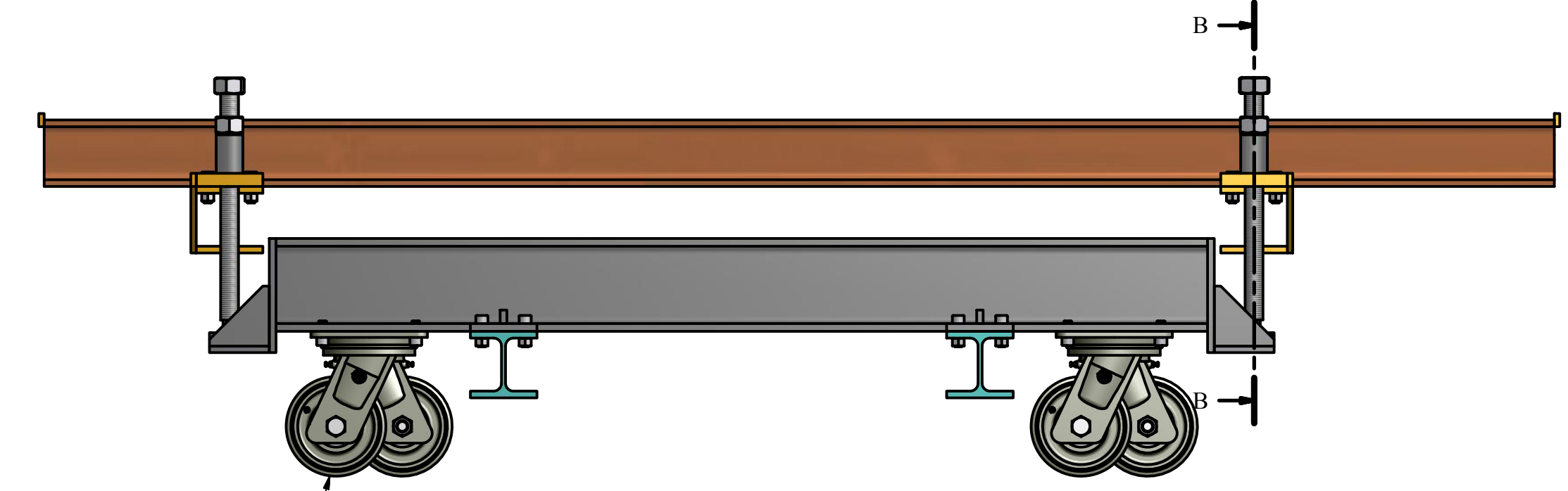
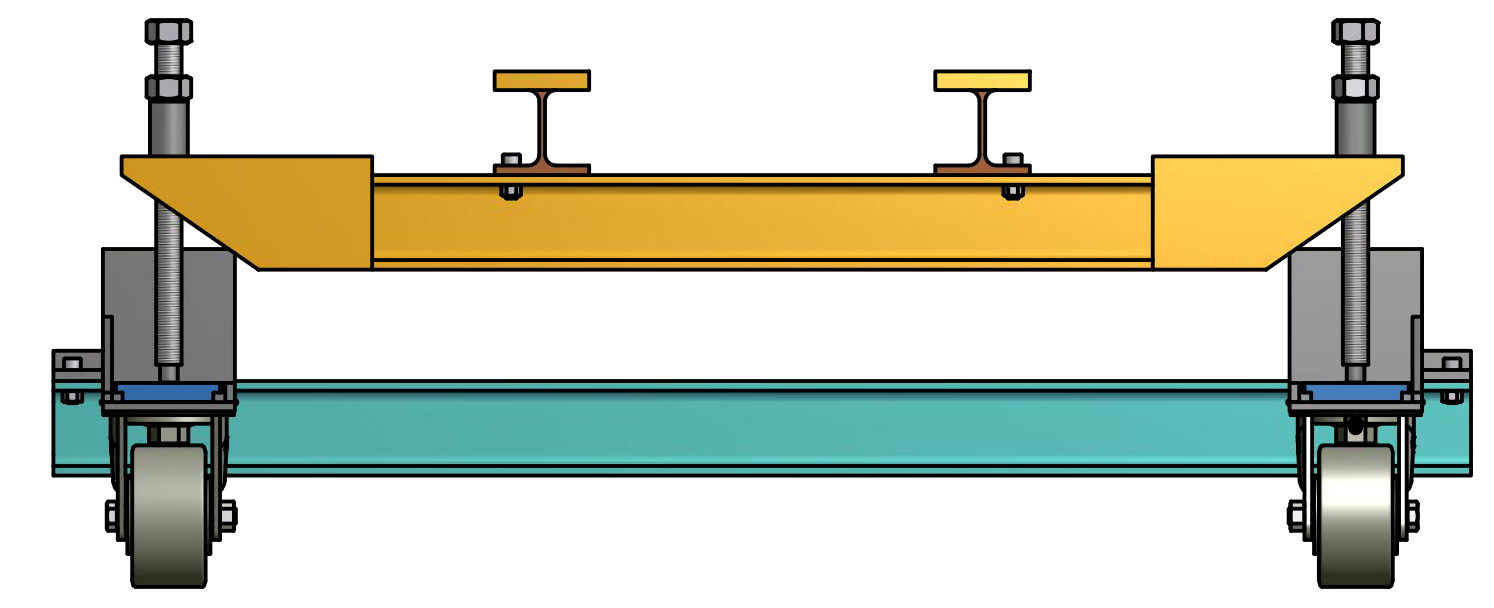
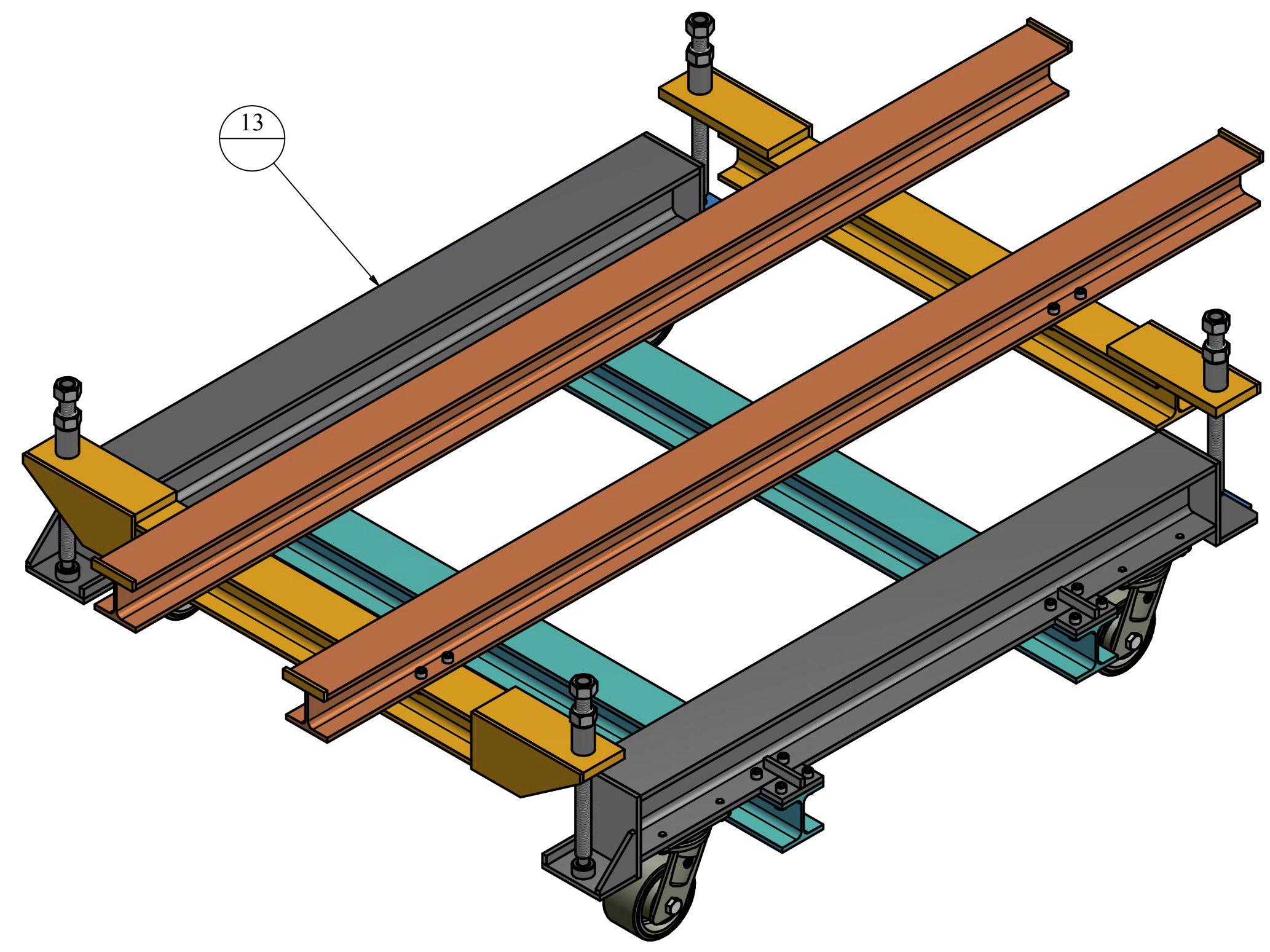
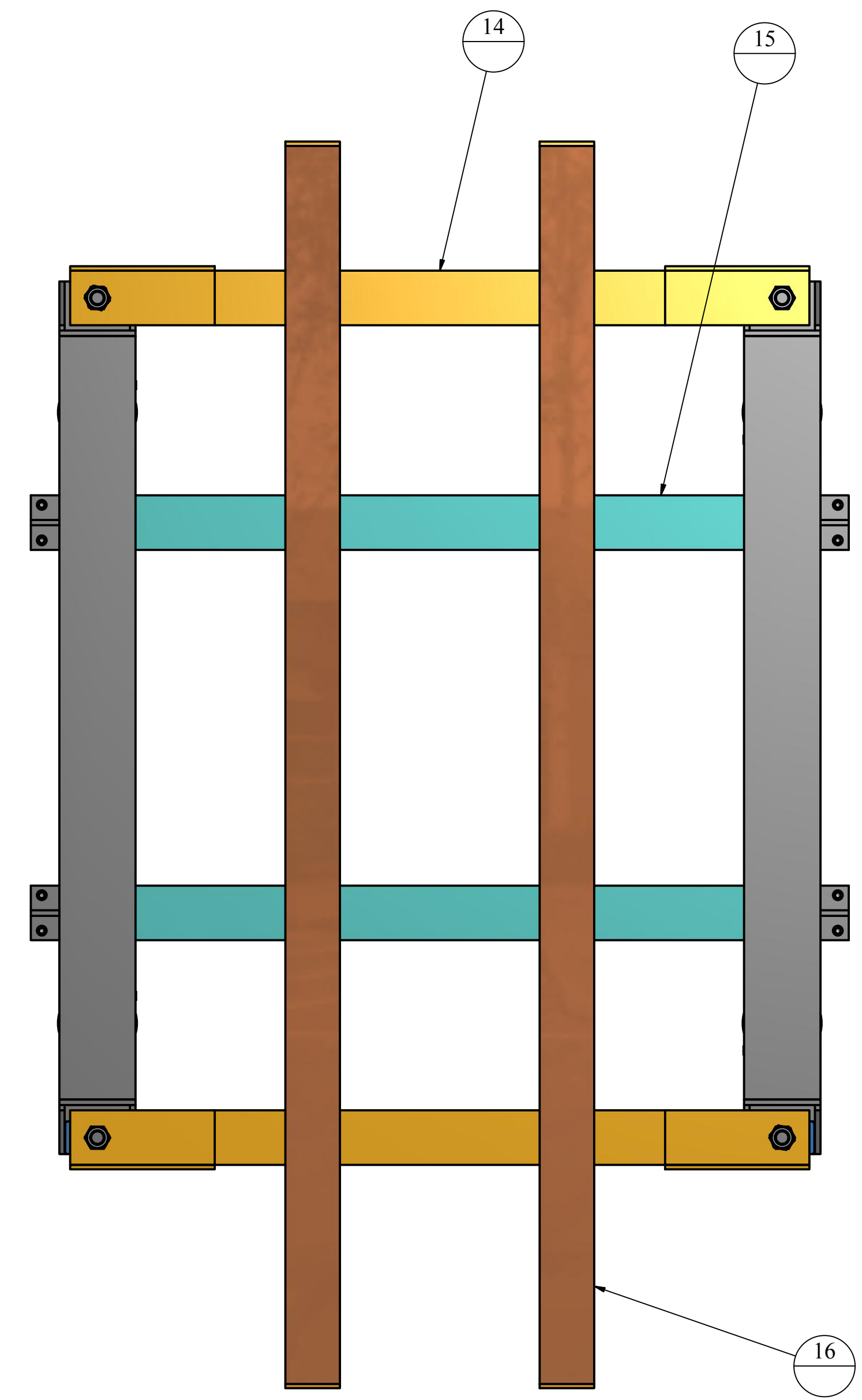
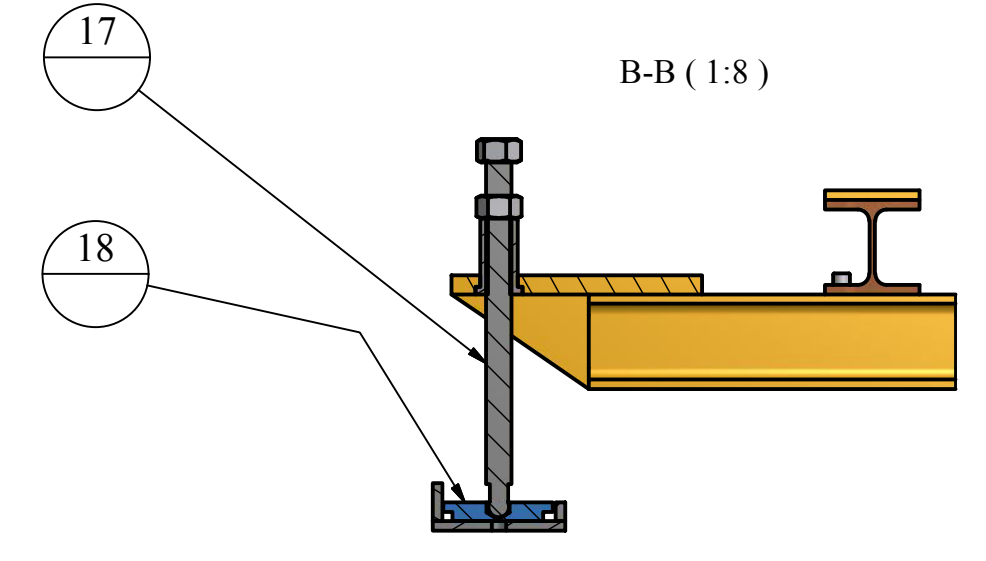


Elenco parti			
ELEMENTO	QTÀ	NUMERO PARTE	DESCRIZIONE
19	8	ISO 4034 - M27	Dado esagonale
21	24	ISO 4762 - M12 x 35	Vite con esagono incassato
22	24	ISO 4034 - M12	Dado esagonale

Screw's list



Tellure Rota Type 648315
capacity 1000 KG, dia wheel 150 mm



ref.	draw.	note	date
		updated	01-05-12
modifications			
18	109	Slide	
17	109	Screw column	
16	109	Support cryotrap	
15	109	Stiffening main support	
14	108	Lift structure	
13	107	Main support base	
ref.	draw.	legend	

European Gravitational Observatory
 PROMEC di Gennaro Gianni
 ADV-VACUUM
 DATE: 06-02-12 SCALE: 1:8
 NORTH INPUT MIRROR EGO-DWG-VAC-LNK-106-1
 CARRIAGE FOR CRYOTRAP-Gr.1
 DRAWING BY: [Signature]
 A1