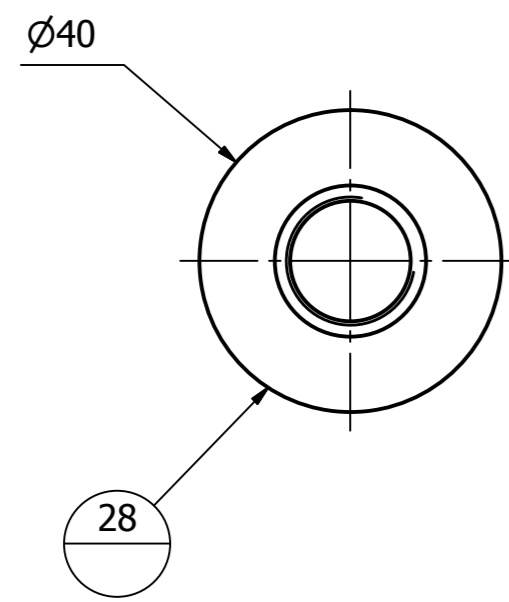
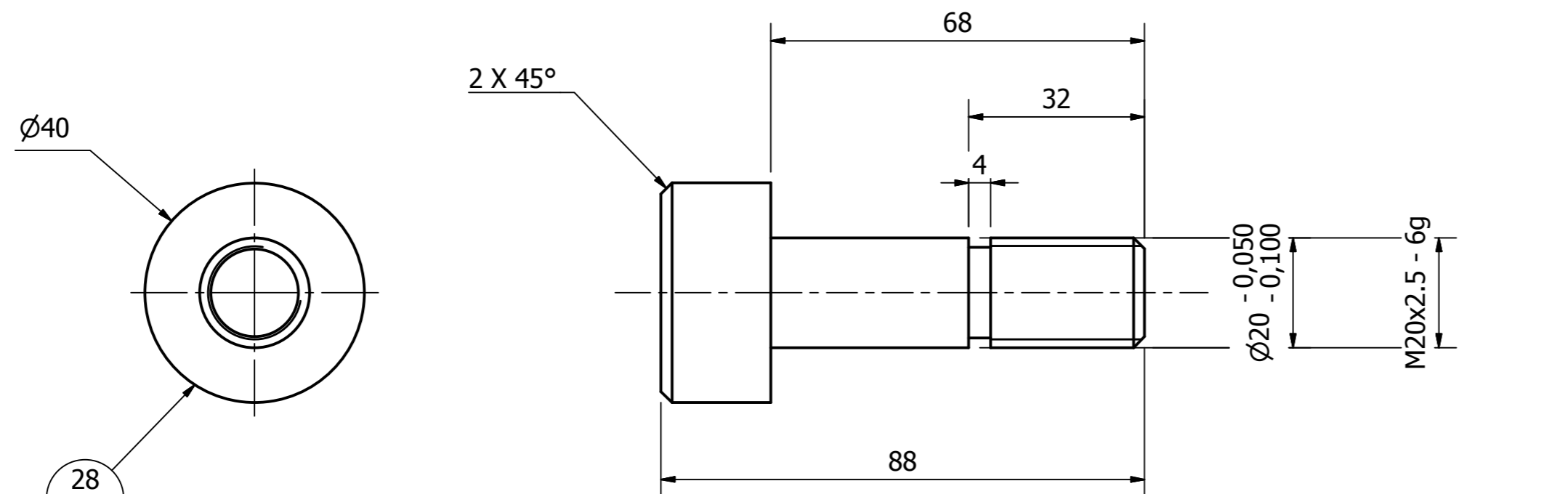
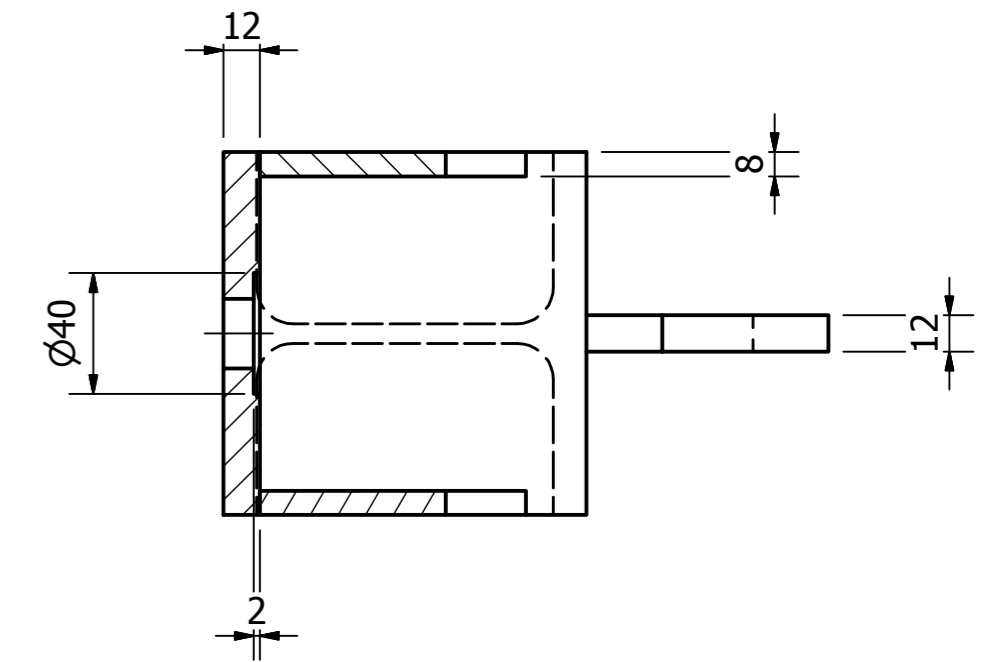
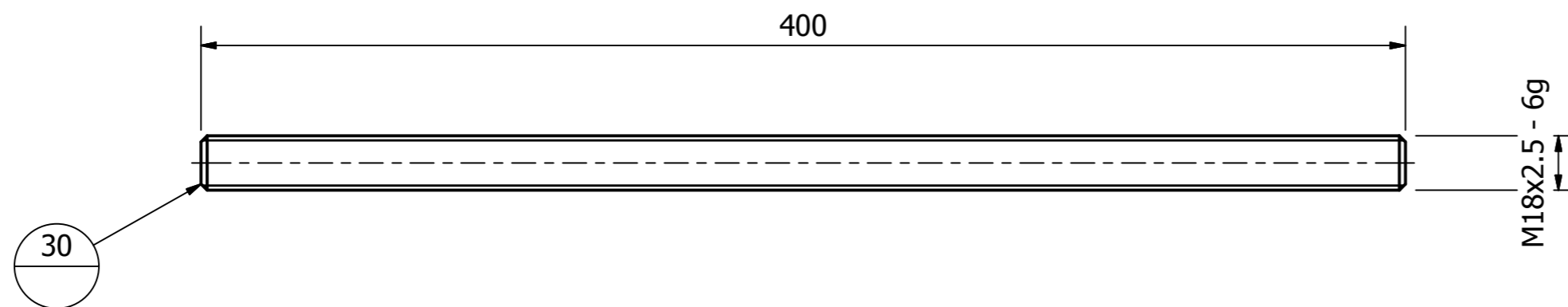


27

A-A (1 : 2.5)



28



30

ref.	note	date	
modifications			
30	4	Acciaio Din 975-8.8	
28	1	S355JO (Fe 510)	
27	1	S235JO (Fe360)	
ref.	pieces	material	scale
GENERAL TOLERANCE mL			
TOLERANCE SYSTEM: ISO 2768-2 CLASS H-K-L			
<b>EGO</b> European Gravitational Observatory		DRAWING BY <b>PROMECC</b> di Gennaro Gianni	
<b>ADV-VACUUM</b>		DATE 22-11-11	SCALE 1:1
<b>WEST END</b>		N° DRAW: EGO-DWG-VAC-LNK-027-0	
<b>BILANCINO-Gr.10</b>		REPLACE DRAW N°	DETAIL FROM
		026	A2