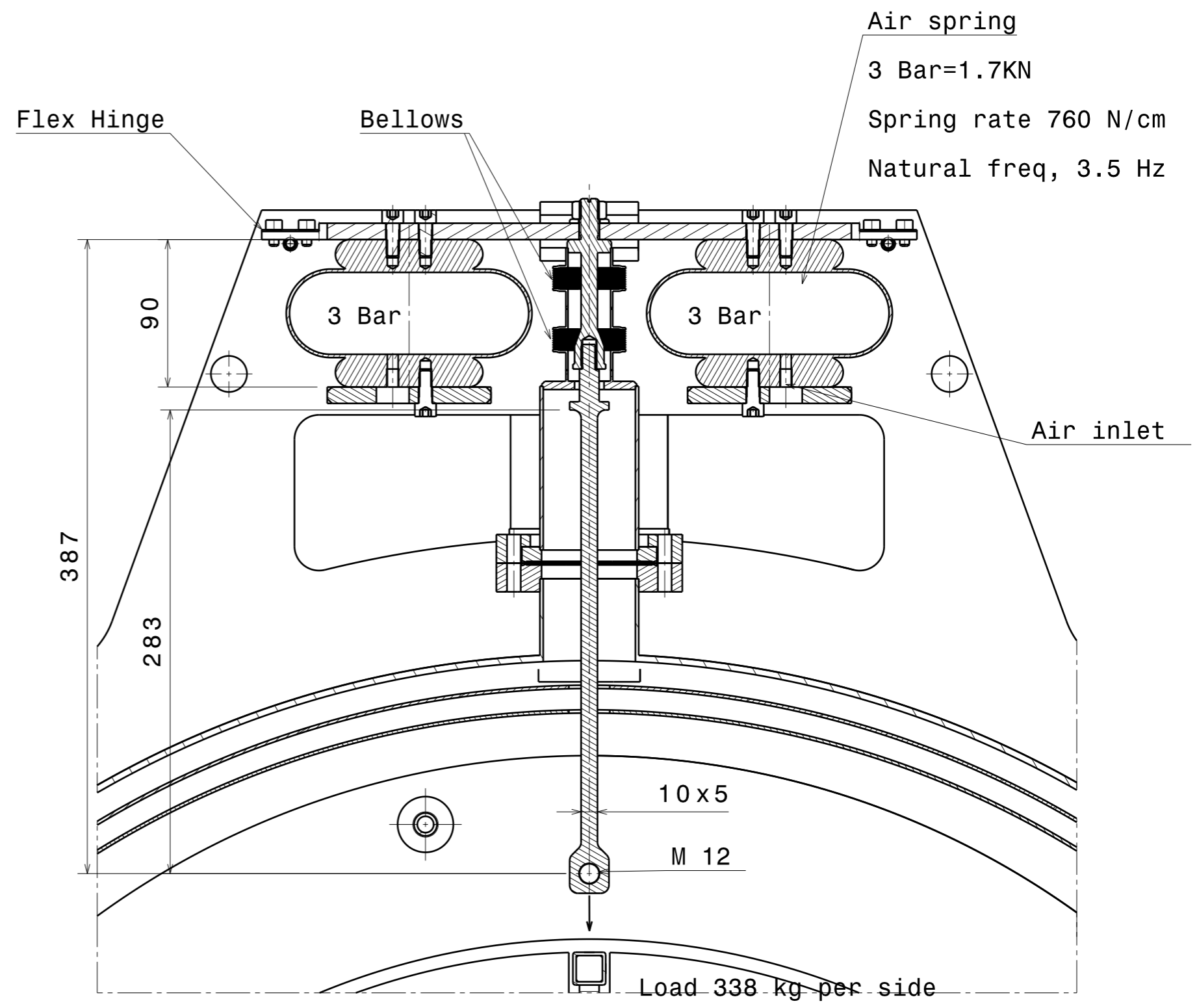


Heat leak 0.35 W



Detail E

Aluminum Vessel 475 Kg

LN2 250L= 200Kg +/- 5Kg

Heat leak 0.5 W

$50\text{mm}^2 \times 210 \text{ N/mm}^2 \text{ (yield)} = 10500 \text{ N}$