



Data sheet · HiPace™

HiPace™ 800 M, with TM 700, Profibus,
DN 200 CF-F

5-axis magnetically levitated turbopump with a pumping speed of
790 l/s for N₂

HiPace™ 800 M, with TM 700, Profibus, DN 200 CF-F

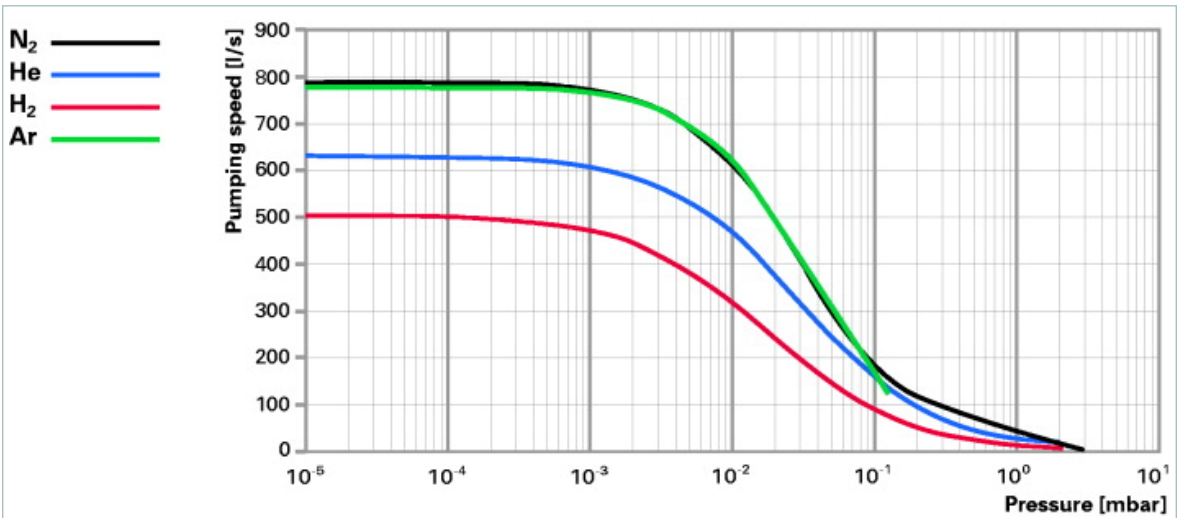
HiPace™ 800 M



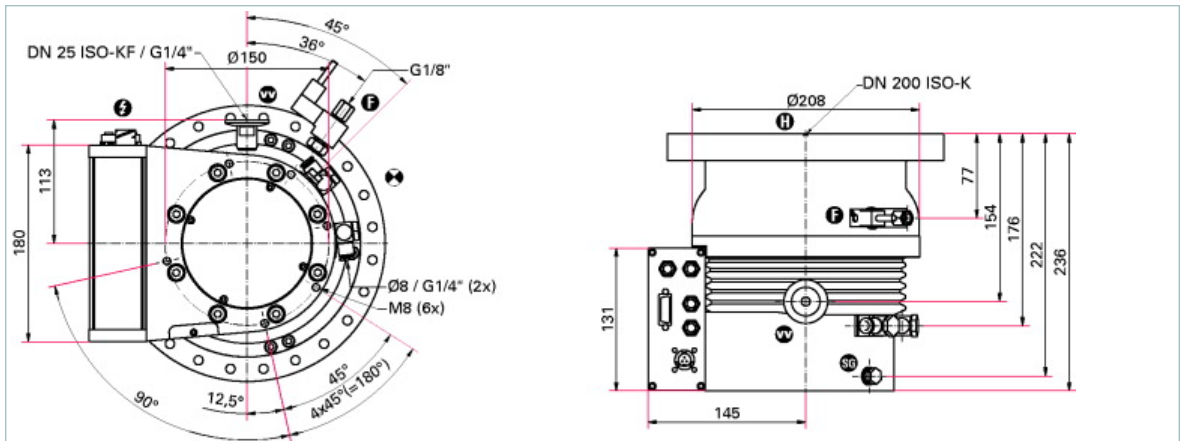
Similar Image

- 5-axis magnetically levitated turbopump with a pumping speed of 790 l/s for N₂
- Integrated digital magnetic bearing controller TM 700, DN 200 CF-F
- Installation in any orientation: 360° installation; flexible due to application of up to 4 accessory parts
- Integrated water cooling for maximal gas throughput

Characteristics



Dimensions



HiPace™ 800 M, with TM 700, Profibus, DN 200 CF-F

Technical Data	HiPace™ 800 M, with TM 700, Profibus, DN 200 CF-F
Bearing	Magnetically Levitated
Compression ratio for Ar	$> 1 \cdot 10^{11}$
Compression ratio for H ₂	$2 \cdot 10^5$
Compression ratio for He	$> 1 \cdot 10^7$
Compression ratio for N ₂	$> 1 \cdot 10^{11}$
Cooling method, optional	Air, Convection
Cooling method, standard	Water
Cooling water consumption	80 l/h
Cooling water temperature	15-35 °C
Corrosive gas version	no
Flange (in)	DN 200 CF-F
Flange (out)	25 ISO-KF
Fore vacuum max. for N ₂	8 mbar
Gas throughput at 0.1 mbar HV for Ar	16 mbar l/s
Gas throughput at 0.1 mbar HV for H ₂	9 mbar l/s
Gas throughput at 0.1 mbar HV for He	16 mbar l/s
Gas throughput at 0.1 mbar HV for N ₂	16 mbar l/s
Gas throughput at full rotational speed for Ar	8 mbar l/s
Gas throughput at full rotational speed for N ₂	13 mbar l/s
Integrated power supply	no
Interface, extended	Profibus
Interfaces	RS-485, Remote
Low vibrations	yes
Mounting orientation	in any orientation
Operating voltage	48 (± 5 %) V DC
Particulate matter	no
Permissible magnetic field max.	5 mT
Protection category	IP 54
Pumping speed for Ar	775 l/s
Pumping speed for H ₂	500 l/s
Pumping speed for He	625 l/s
Pumping speed for N ₂	790 l/s
Rotation speed ± 2 %	49200 rpm
Run-up time	4 min
Separat electronic drive unit	no
Sound pressure level	45 dB (A)
Ultimate pressure with OnTool™ DryPump	$< 5 \cdot 10^{-10}$ mbar
Venting connection	G 1/8"
Weight	21.6 kg

HiPace™ 800 M, with TM 700, Profibus, DN 200 CF-F

Order number	PMP04465
Backing pump control	
Backing pump relay box, single phase 20 A, for TC 400/1200, TCP 350 and TM 3000	PM061375-T
Backing pump relay box, single phase 5 A, for TC 400/1200 and TM 3000	PM061374-T
TVV 001 fore-vacuum safety valve, 115 V AC	PMZ01206
TVV 001 fore-vacuum safety valve, 230 V AC	PMZ01205
Cooling accessories	
Air cooling for HiPace 400 and HiPace 700 with TC 400	PMZ01303
General accessories	
Connection cable, plug M12, RJ 45, 3 m	PM051726-T
Enclosure for plug, spraywater-protected, 15-pole, D-Sub	P0998016
Extension cable for accessory M12 on M12	PM061747-T
Interface cable, 3 m, M12	PM061283-T
Interface cable, 3 m, M12, straight, 90°	PM061791-T
Line filter for cable fitting with safety closure	PM061806
Power supply plug TC 110, angled	P4723101
Power supply plug TC 400, straight	P4723100
Power supply plug TPS 110/180/310/400 DC out	P4723102
Protection screen for turbopumps, DN 200 CF-F	PM016342
Remote adapter for RS-485	PM061649-T
Remote mating plug, HD26-pole without bridges	PM061986-X
Remote plug, water resistant, 26-pole, HD	PM061880-T
Round plug M12	P4722605
Sealing gas throttle for HiPace 300,400 and 700	PMZ01317
Sealing gas valve for HiPace 300, 400 and 700 with TC 400	PMZ01312
Splinter screen for turbopumps, DN 200 CF-F	PM016321
T-Connector M12B to Profibus	P4723020
Termination resistor M12B for Profibus	P4723030
USB converter to RS-485 interface	PM061207-T
Vibration damper for HiPace 1200, DN 200 CF-F	PM006669-X
Y-Connector M12B to Profibus	P4723015
Y-Connector M12 for accessories	P4723012
Y-Connector M12 to RS-485	P4723010
Y-Connector with cable M12B to Profibus	P4723018

HiPace™ 800 M, with TM 700, Profibus, DN 200 CF-F

Heating accessories

Heating jacket for HiPace 400 / 700 with TC 400 / TCP 350, 115 V AC, UL plug	PM061371-T
Heating jacket for HiPace 400 / 700 with TC 400 / TCP 350, 208 V AC, UL plug	PM061370-T
Heating jacket for HiPace 400 / 700 with TC 400 / TCP 350, 230 V AC, Euro-style safety plug	PM061369-T

Mains cables and connection cables

115 V AC mains cable with UL plug, IEC power socket (straight), 3 m	P4564309ZE
208 V AC mains cable with UL plug, 3 m	P4564309ZF
230 V AC mains cable with Euro-style safety plug, IEC power socket (straight), 3 m	P4564309ZA
Connection cable for linking HiPace with TC 400 to power supply TPS/DCU 310/311/400/401	PM061352-T

Mounting materials

Set of hexagonal bolts, 24 count, M8, DN 200 CF	PM016687-T
Set of stud screws, 24 count, M8, DN 200 CF	PM016688-T

Power supplies, control displays and drive units

Accessories package for HPU - Power supply, software and PC cable	PM061005-T
DCU 002, Display control unit	PM061348-T
DCU 400, Display control unit incl. power supply	PMC01823
Front panel kit for TPS 401	PM061396-T
HPU 001, handheld programming unit	PM051510-T
TPS 400, mains pack for wall/standard rail fitting	PM061343-T
TPS 401, mains pack 19" rack module 3 RU	PM061347-T
Wall rail fitting TPS 110/180/310/400	PM061392-T

Venting accessories

Angled screw coupling for venting valve	PM143877-T
TTV 001, air drier for venting turbopumps	PMZ00121
Venting valve, 24 V DC, G 1/8", for connection to TC 400/1200	PMZ01291

**Leading. Dependable.
Customer Friendly.**

Pfeiffer Vacuum stands for innovative and custom vacuum solutions worldwide, for German engineering art, competent advice and reliable service.

As the inventor of the turbopump, we have always been consistently setting standards in our industry and this claim to leadership will continue to drive us in the future.

**Are you looking for a
perfect vacuum solution?
Please contact us:**

Germany

Pfeiffer Vacuum GmbH
Headquarters
Phone: +49 (0) 6441 802-0
info@pfeiffer-vacuum.de

Benelux

Pfeiffer Vacuum GmbH
Sales & Service Benelux
Phone: +800-pfeiffer
benelux@pfeiffer-vacuum.de

China

Pfeiffer Vacuum
(Shanghai) Co., Ltd.
Phone: +86 21 3393 3940
info@pfeiffer-vacuum.cn

France

Pfeiffer Vacuum France SAS
Phone: +33 169 30 92 82
info@pfeiffer-vacuum.fr

Great Britain

Pfeiffer Vacuum Ltd.
Phone: +44 1908 500600
sales@pfeiffer-vacuum.co.uk

India

Pfeiffer Vacuum India Ltd.
Phone: +91 40 2775 0014
pfeiffer@vsnl.net

Italy

Pfeiffer Vacuum Italia S.p.A.
Phone: +39 02 93 99 05 1
contact@pfeiffer-vacuum.it

Korea

Pfeiffer Vacuum Korea Ltd.
Phone: +82 31 266 0741
sales@pfeiffer-vacuum.co.kr

Austria

Pfeiffer Vacuum Austria GmbH
Phone: +43 1 894 17 04
office@pfeiffer-vacuum.at

Sweden

Pfeiffer Vacuum Scandinavia AB
Phone: +46 8 590 748 10
sales@pfeiffer-vacuum.se

Switzerland

Pfeiffer Vacuum (Schweiz) AG
Phone: +41 44 444 22 55
info@pfeiffer-vacuum.ch

United States

Pfeiffer Vacuum Inc.
Phone: +1 603 578 6500
contact@pfeiffer-vacuum.com

www.pfeiffer-vacuum.net