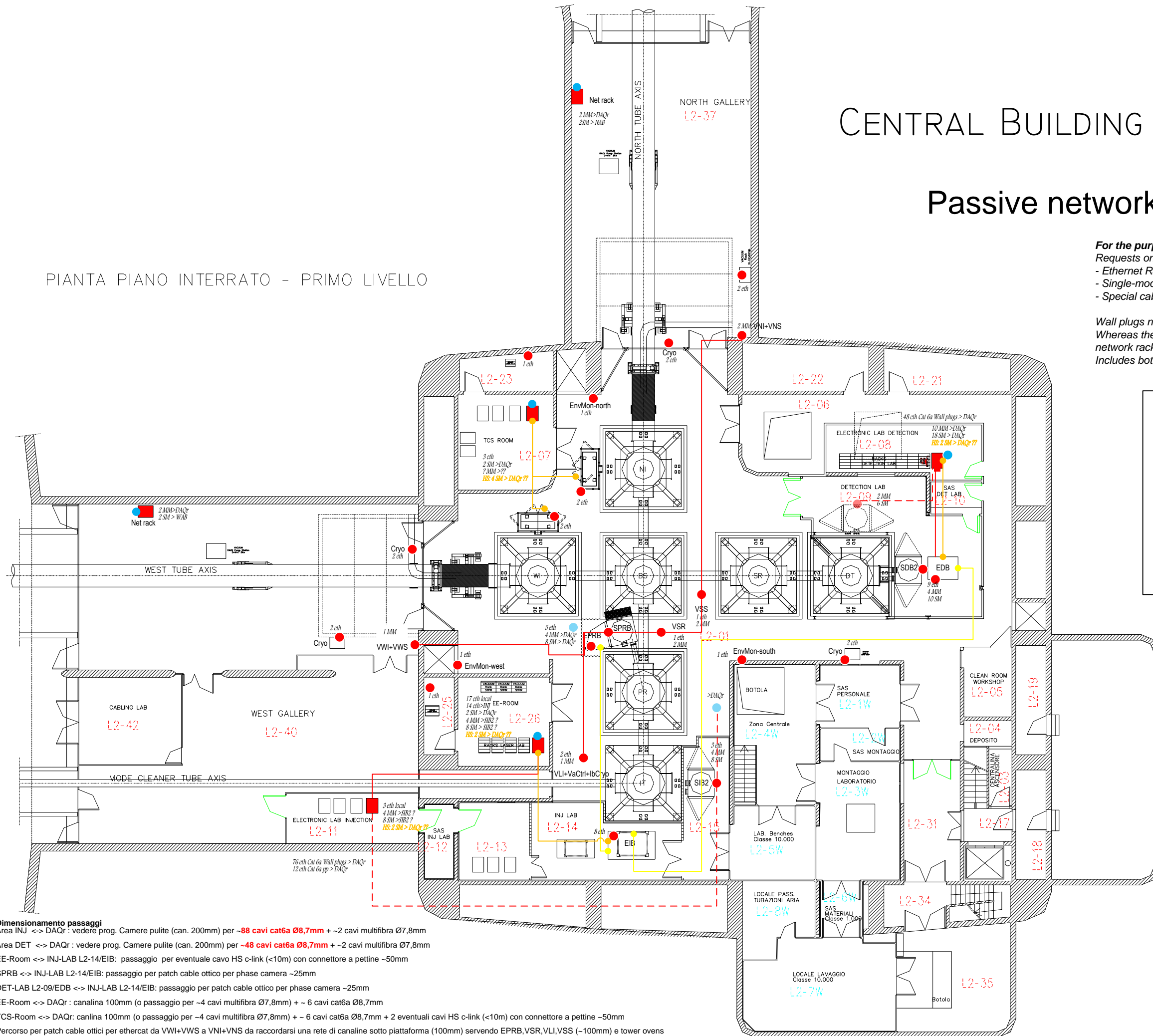


# CENTRAL BUILDING (CEB), LEVEL 2

## Passive network endpoints

PIANTA PIANO INTERRATO - PRIMO LIVELLO



**For the purpose of the tray paths layout**

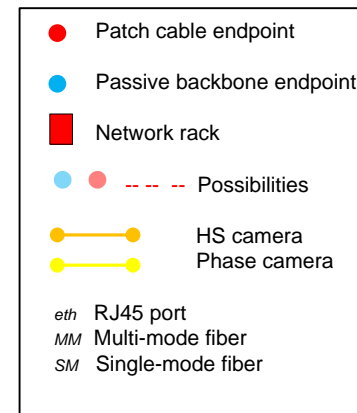
Requests only (no spares) for:

- Ethernet RJ45 ports
- Single-mode/Multi-mode fibers (including network)
- Special cables (HS C-link, Phase camera fiber)

Wall plugs not indicated

Whereas the requested eth ports are served by a switch (in a network rack) only the uplink fibers are indicated

Includes both new and already existing endpoints



**Dimensionamento passaggi**

Area INJ <-> DAQr : vedere prog. Camere pulite (can. 200mm) per ~88 cavi cat6a Ø8,7mm + ~2 cavi multifibra Ø7,8mm

Area DET <-> DAQr : vedere prog. Camere pulite (can. 200mm) per ~48 cavi cat6a Ø8,7mm + ~2 cavi multifibra Ø7,8mm

EE-Room <-> INJ-LAB L2-14/EIB: passaggio per eventuale cavo HS c-link (<10m) con connettore a pettine ~50mm

SPRB <-> INJ-LAB L2-14/EIB: passaggio per patch cable ottico per phase camera ~25mm

DET-LAB L2-09/EDB <-> INJ-LAB L2-14/EIB: passaggio per patch cable ottico per phase camera ~25mm

EE-Room <-> DAQr : canalina 100mm (o passaggio per ~4 cavi multifibra Ø7,8mm) + ~ 6 cavi cat6a Ø8,7mm

TCS-Room <-> DAQr: canlina 100mm (o passaggio per ~4 cavi multifibra Ø7,8mm) + ~ 6 cavi cat6a Ø8,7mm + 2 eventuali cavi HS c-link (<10m) con connettore a pettine ~50mm

Percorso per patch cable ottici per ethercat da VVI+VVS a VNI+VNS da raccordarsi una rete di canaline sotto piattaforma (100mm) servendo EPRB,VSR,VLI,VSS (~100mm) e tower ovens

Net Rack West Gallery <-> DAQr canalina 100mm

Net Rack North Gallery <-> DAQr canalina 100mm