

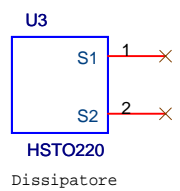
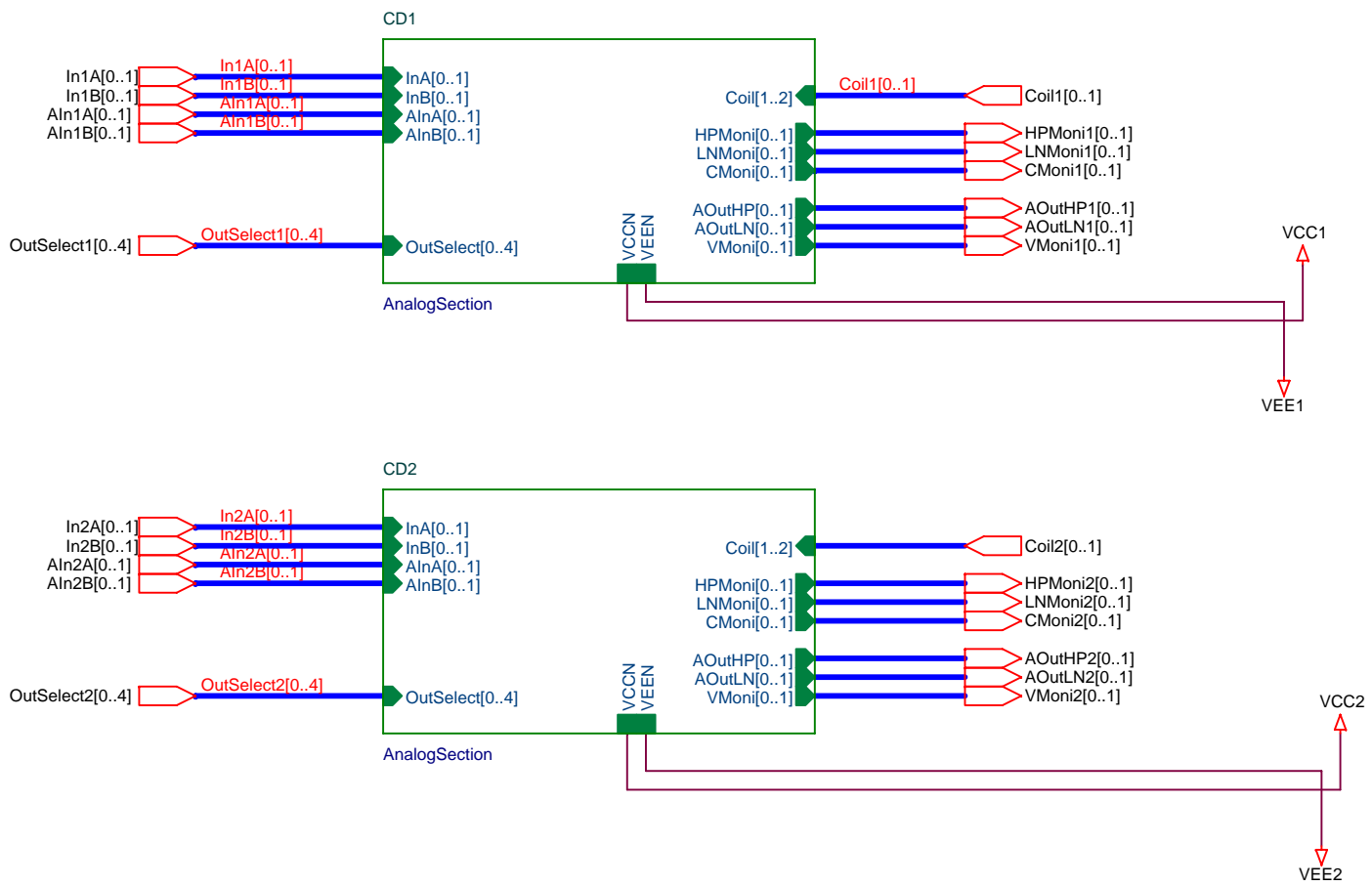




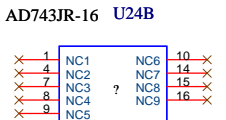
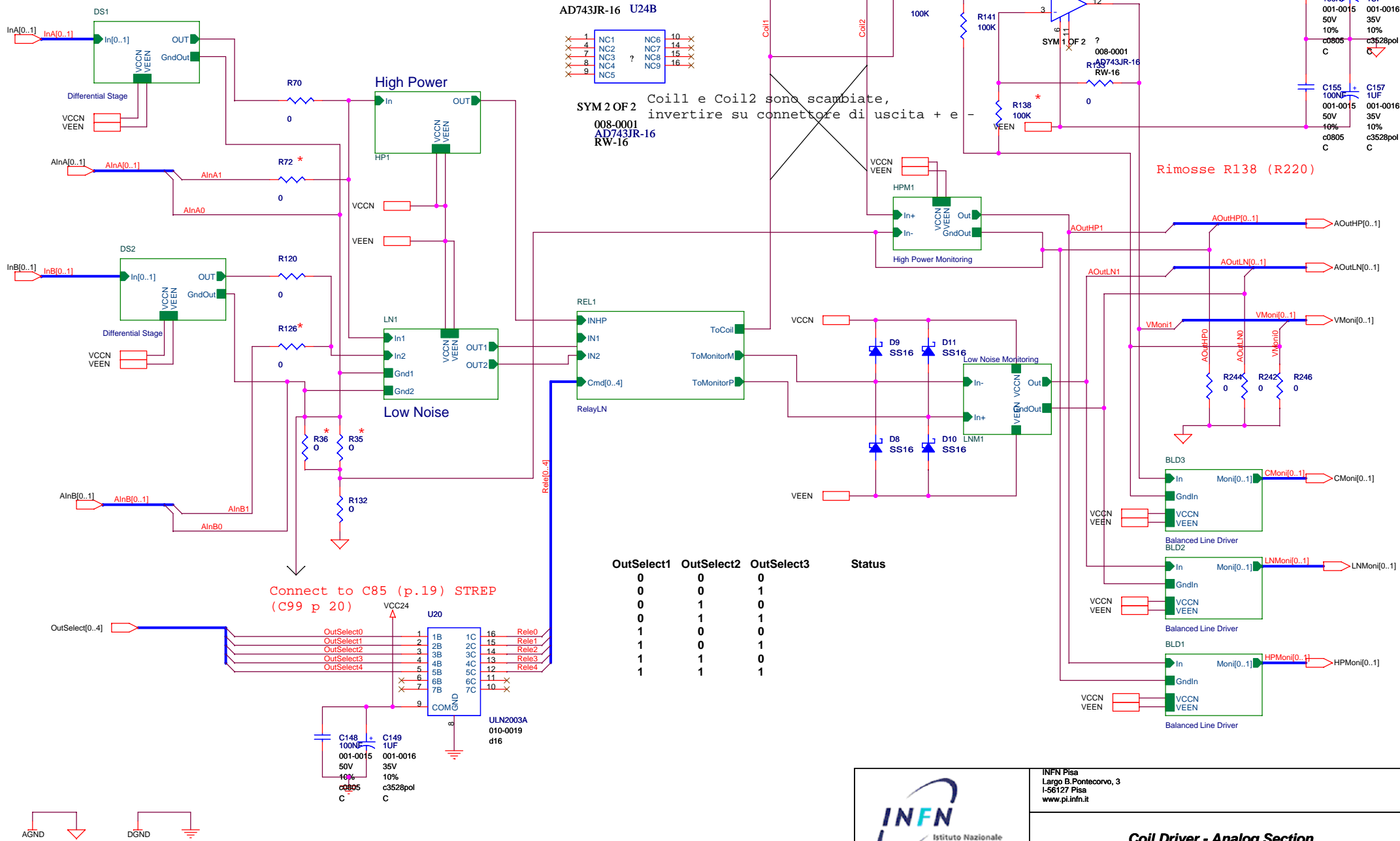
Controllare connettore DIN96

 <p>INFN Istituto Nazionale di Fisica Nucleare</p>	INFN Pisa Largo B. Pontecorvo, 3 I-56127 Pisa www.pi.infn.it		
	<h3>Coil Driver - Main</h3>		
	Size A4	DOC NO ACDV	DWG NO DWG-4900-022
Monday, April 20, 2009	Author A.Gennai	Sheet 1 of 29	Rev P1



 Istituto Nazionale di Fisica Nucleare	INFN Pisa Largo B. Pontecorvo, 3 I-56127 Pisa www.pi.infn.it		
	Coil Driver - Analog Main		
	Size A4	DOC NO ACDV	DWG NO DWG-4900-022
Monday, March 02, 2009	Author A. Gennai	Sheet 2 of 29	Rev P1

Rimosse R72, R126, R35, R36,
(R142, R194, R47, R49)



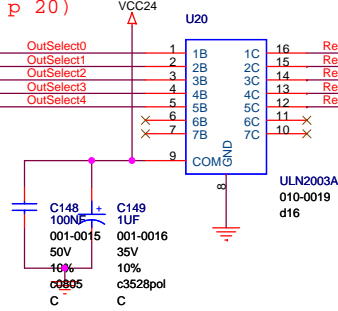
SYM 2 OF 2
008-0001
AD743JR-16
RW-16


Coil1 e Coil2 sono scambiate,
invertire su connettore di uscita + e -

Rimosse R138 (R220)

Connect to C85 (p.19) STREP
(C99 p 20)

OutSelect1	OutSelect2	OutSelect3	Status
0	0	0	
0	1	0	
0	1	1	
1	0	0	
1	0	1	
1	1	0	
1	1	1	



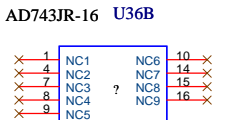
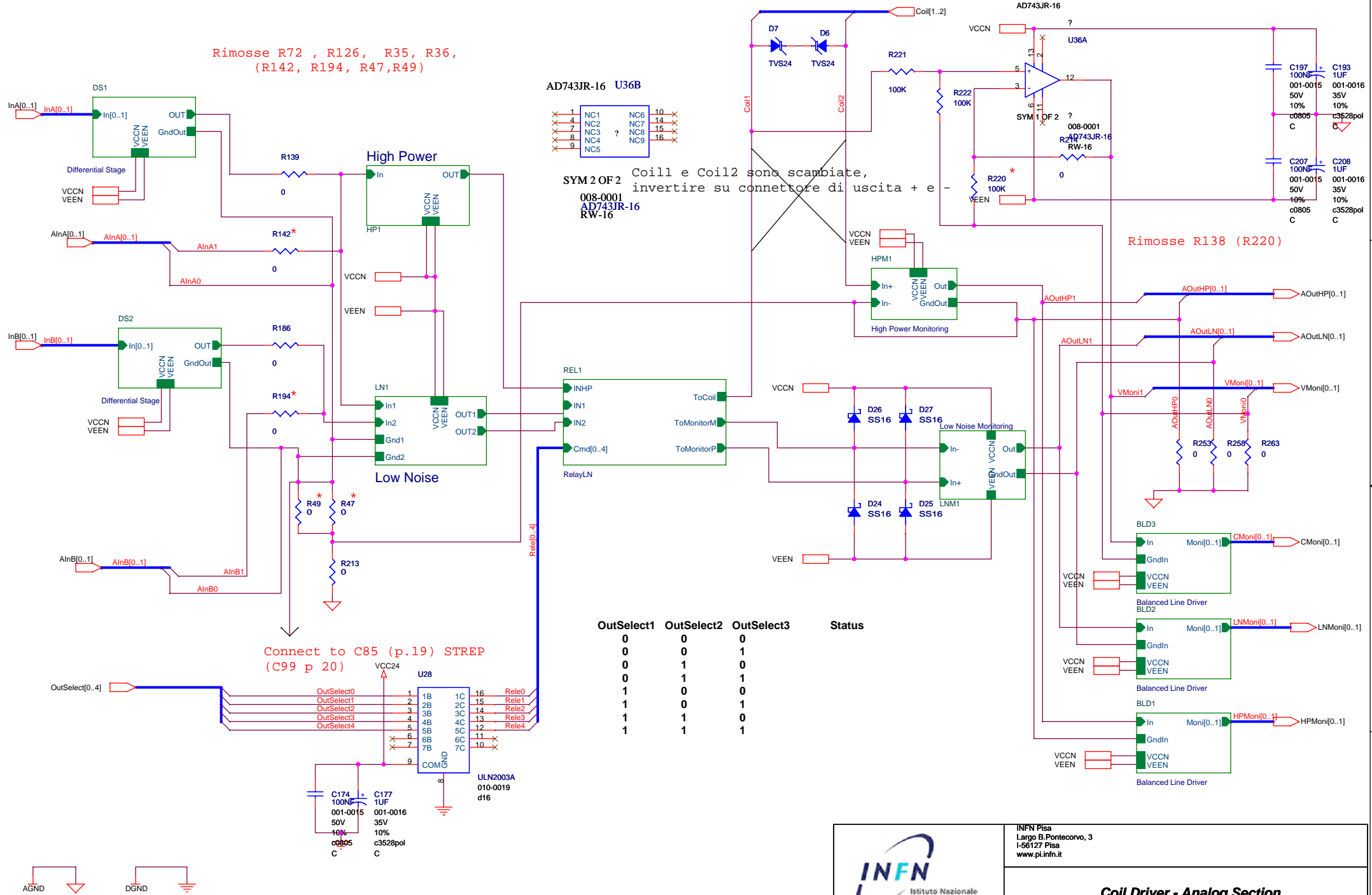


INFN Pisa
Largo B. Pontecorvo, 3
I-56127 Pisa
www.pi.infn.it

Coil Driver - Analog Section

Size A3	DOC NO ACDV	DWG NO DWG-4900-022	Rev P1
Monday, August 10, 2009		Author A.Gennai	Sheet 3 of 29

Rimosse R72, R126, R35, R36,
(R142, R194, R47, R49)



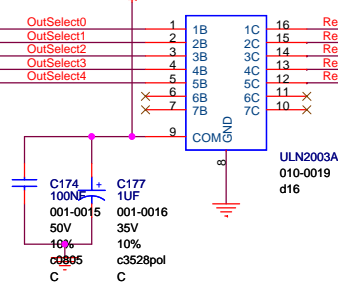
SYM 2 OF 2
008-0001
AD743JR-16
RW-16


Coil1 e Coil2 sono scambiate,
invertire su connettore di uscita + e -

Rimosse R138 (R220)

Connect to C85 (p.19) STREP
(C99 p 20)

OutSelect1	OutSelect2	OutSelect3	Status
0	0	0	
0	1	0	
0	1	1	
1	0	0	
1	0	1	
1	1	0	
1	1	1	

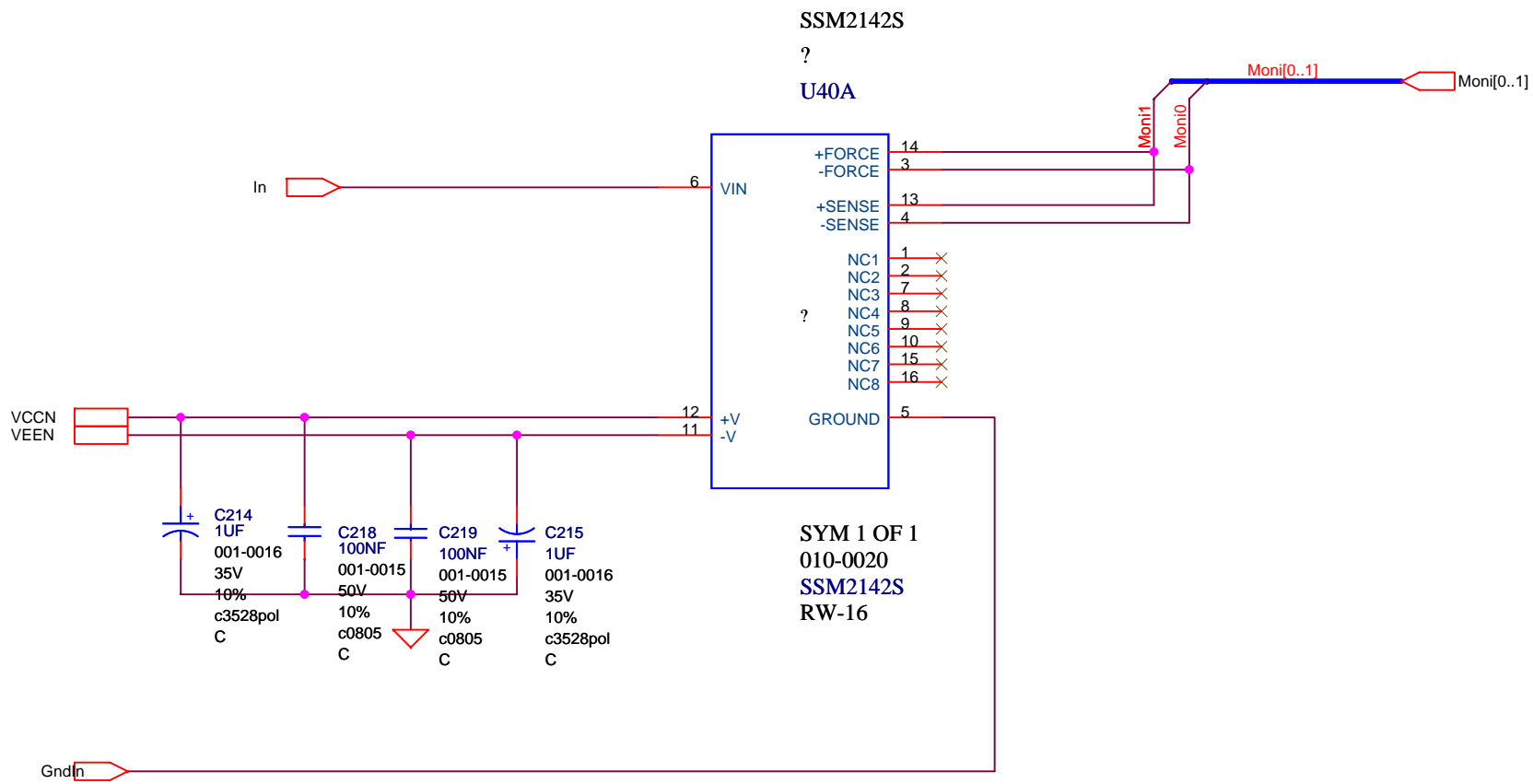




INFN Pisa
Largo B. Pontecorvo, 3
I-56127 Pisa
www.pi.infn.it

Coil Driver - Analog Section

Size A3	DOC NO ACDV	DWG NO DWG-4900-022	Rev P1
Monday, August 10, 2009		Author A.Gennai	Sheet 4 of 29

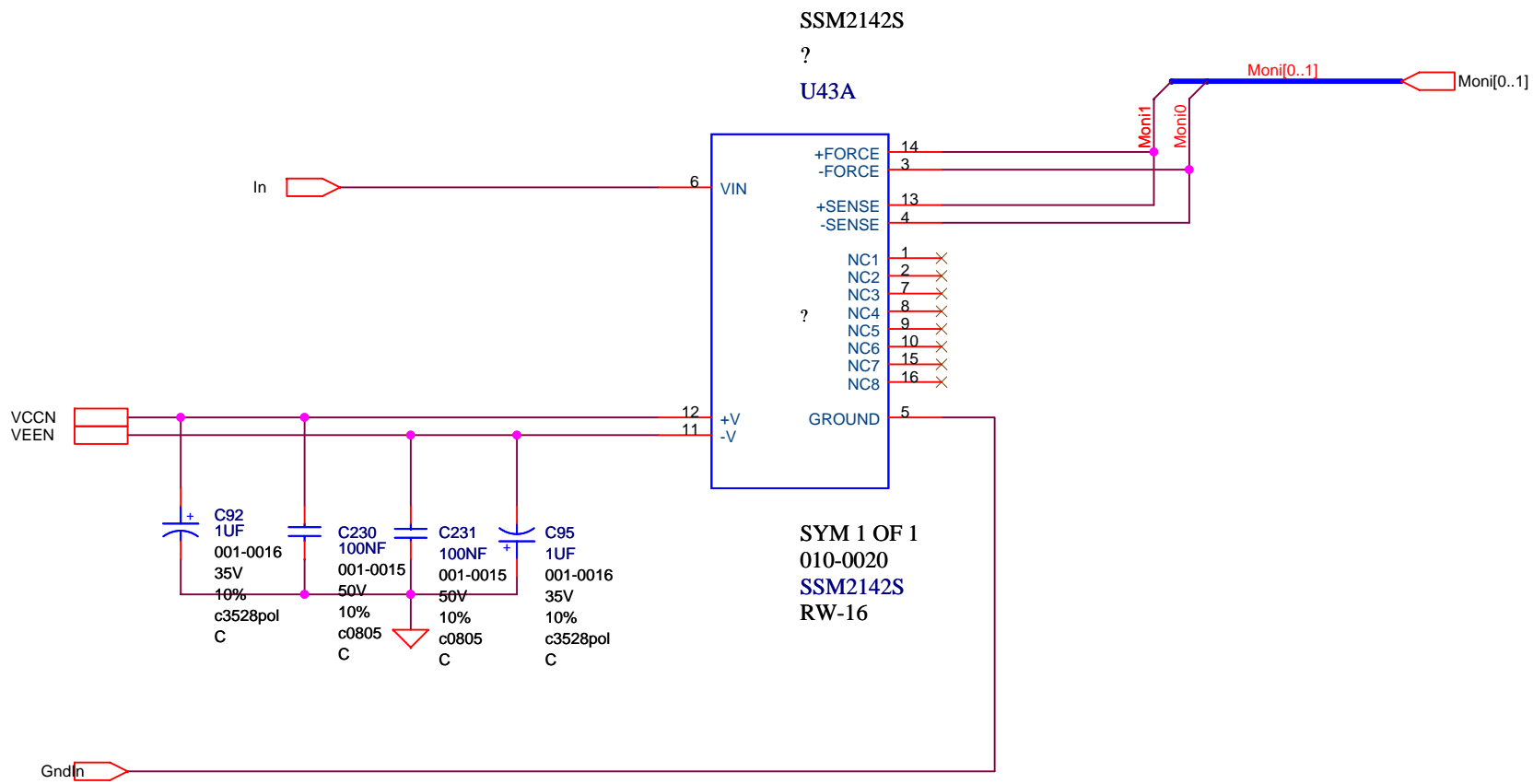


INFN Pisa
 Largo B. Pontecorvo, 3
 I-56127 Pisa
 www.pi.infn.it

Coil Driver - Balanced Line Driver



Size A4	DOC NO ACDV	DWG NO DWG-4900-022	Rev P1
------------	----------------	------------------------	-----------



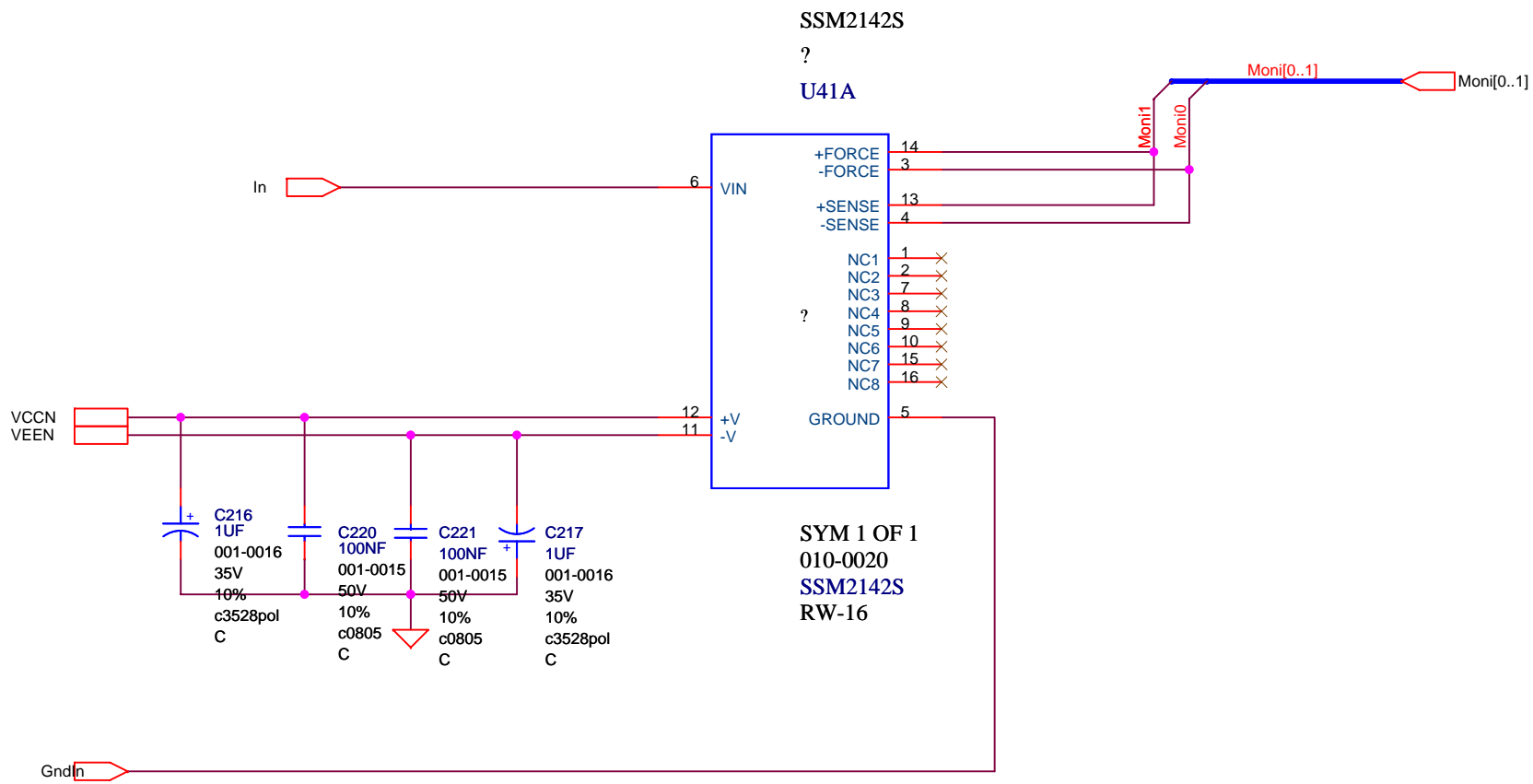
SSM2142S
?
U43A

SYM 1 OF 1
010-0020
SSM2142S
RW-16

INFN Pisa
Largo B. Pontecorvo, 3
I-56127 Pisa
www.pi.infn.it

Coil Driver - Balanced Line Driver

Size A4	DOC NO ACDV	DWG NO DWG-4900-022	Rev P1
------------	----------------	------------------------	-----------

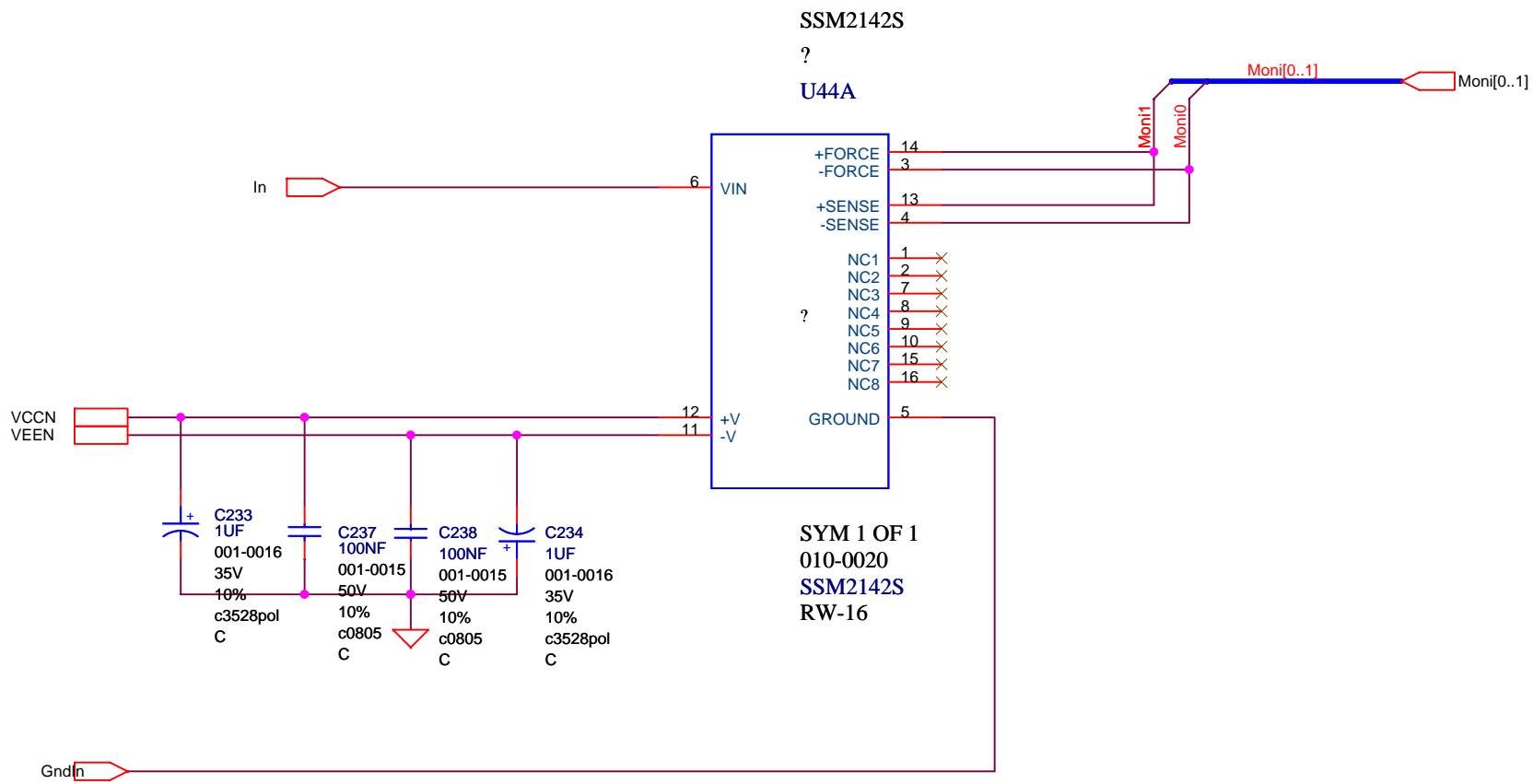


INFN Pisa
 Largo B. Pontecorvo, 3
 I-56127 Pisa
 www.pi.infn.it

Coil Driver - Balanced Line Driver



Size A4	DOC NO ACDV	DWG NO DWG-4900-022	Rev P1
------------	----------------	------------------------	-----------

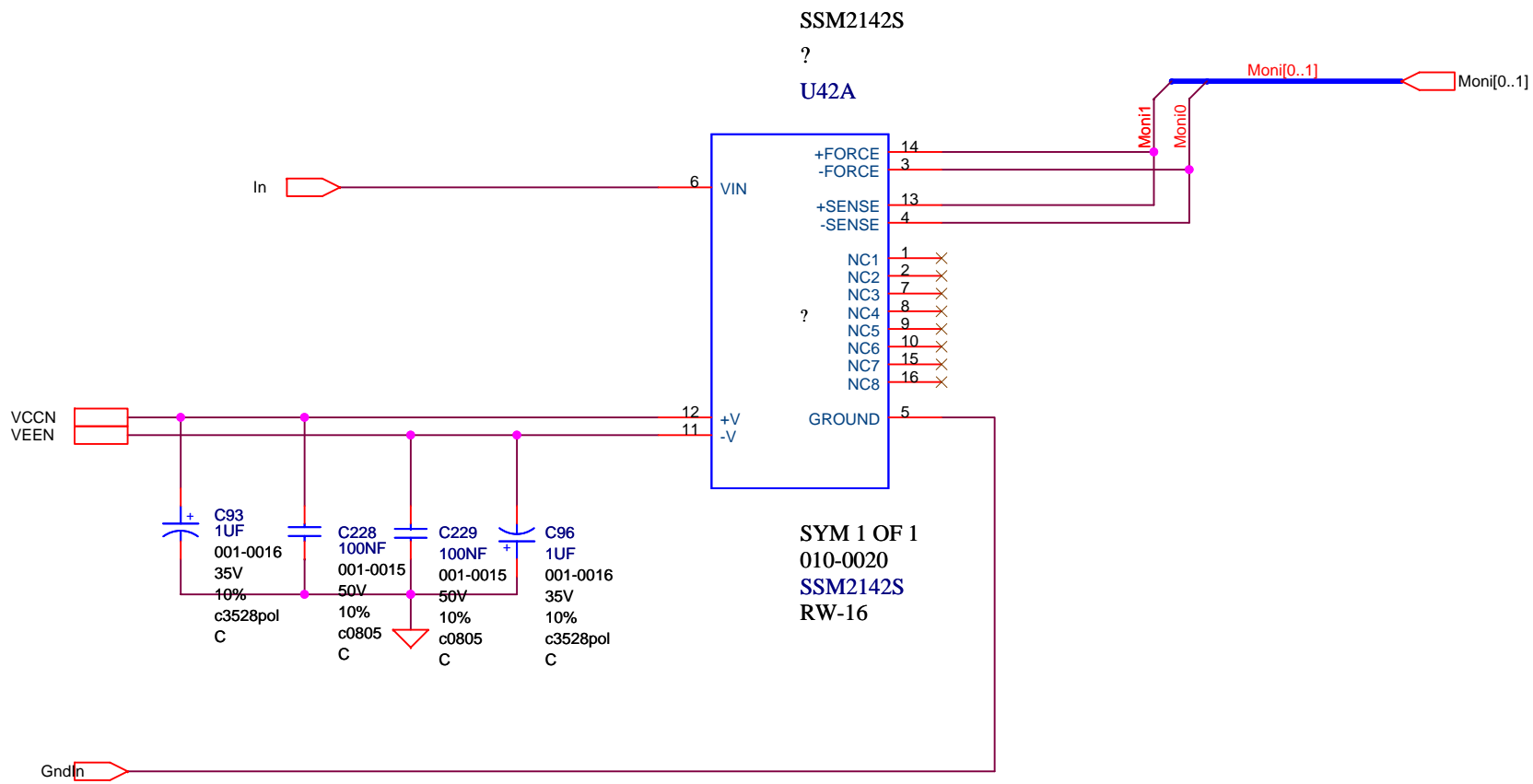


INFN Pisa
 Largo B. Pontecorvo, 3
 I-56127 Pisa
 www.pi.infn.it

Coil Driver - Balanced Line Driver



Size A4	DOC NO ACDV	DWG NO DWG-4900-022	Rev P1
------------	----------------	------------------------	-----------

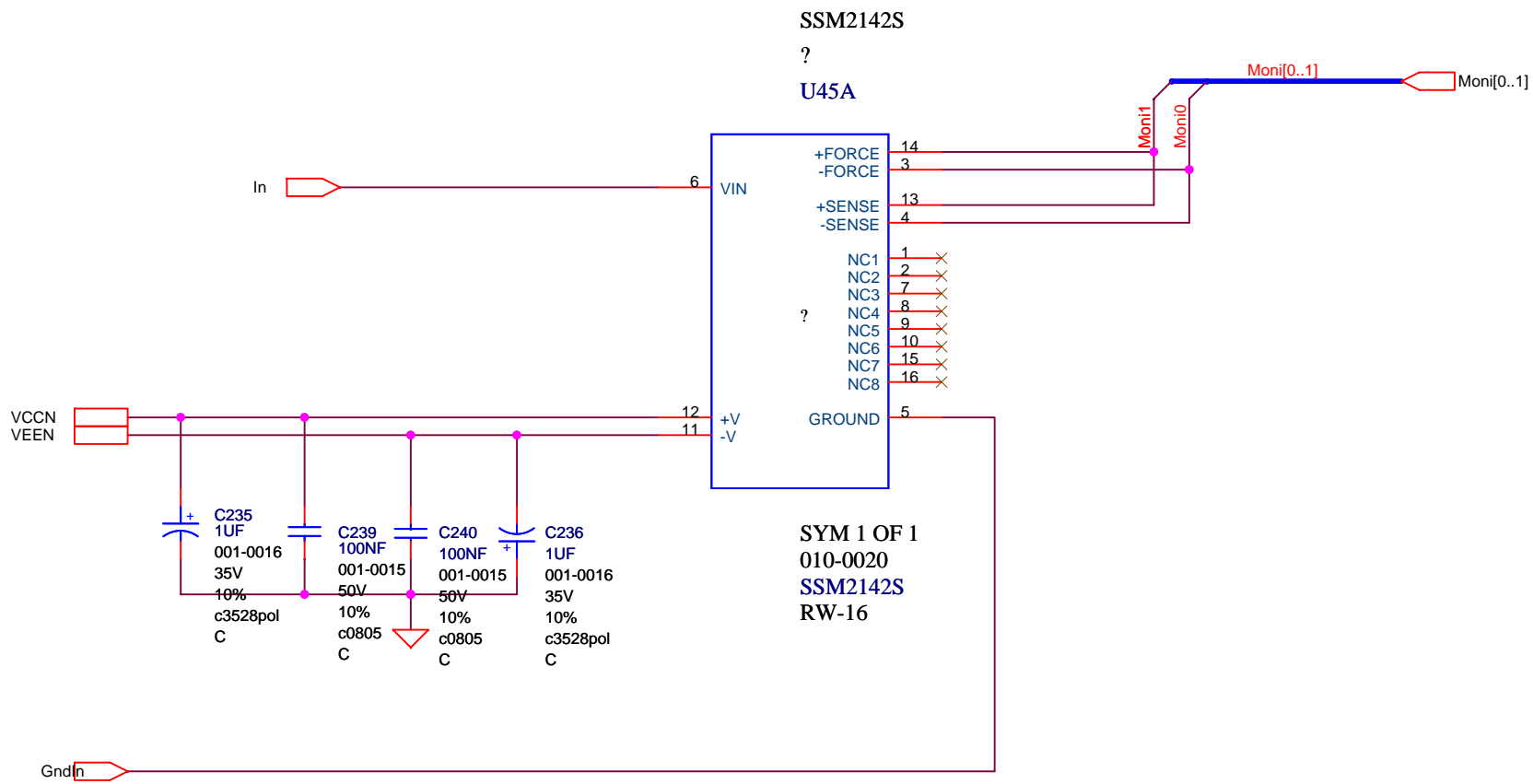


INFN Pisa
Largo B. Pontecorvo, 3
I-56127 Pisa
www.pi.infn.it

Coil Driver - Balanced Line Driver



Size A4	DOC NO ACDV	DWG NO DWG-4900-022	Rev P1
------------	----------------	------------------------	-----------

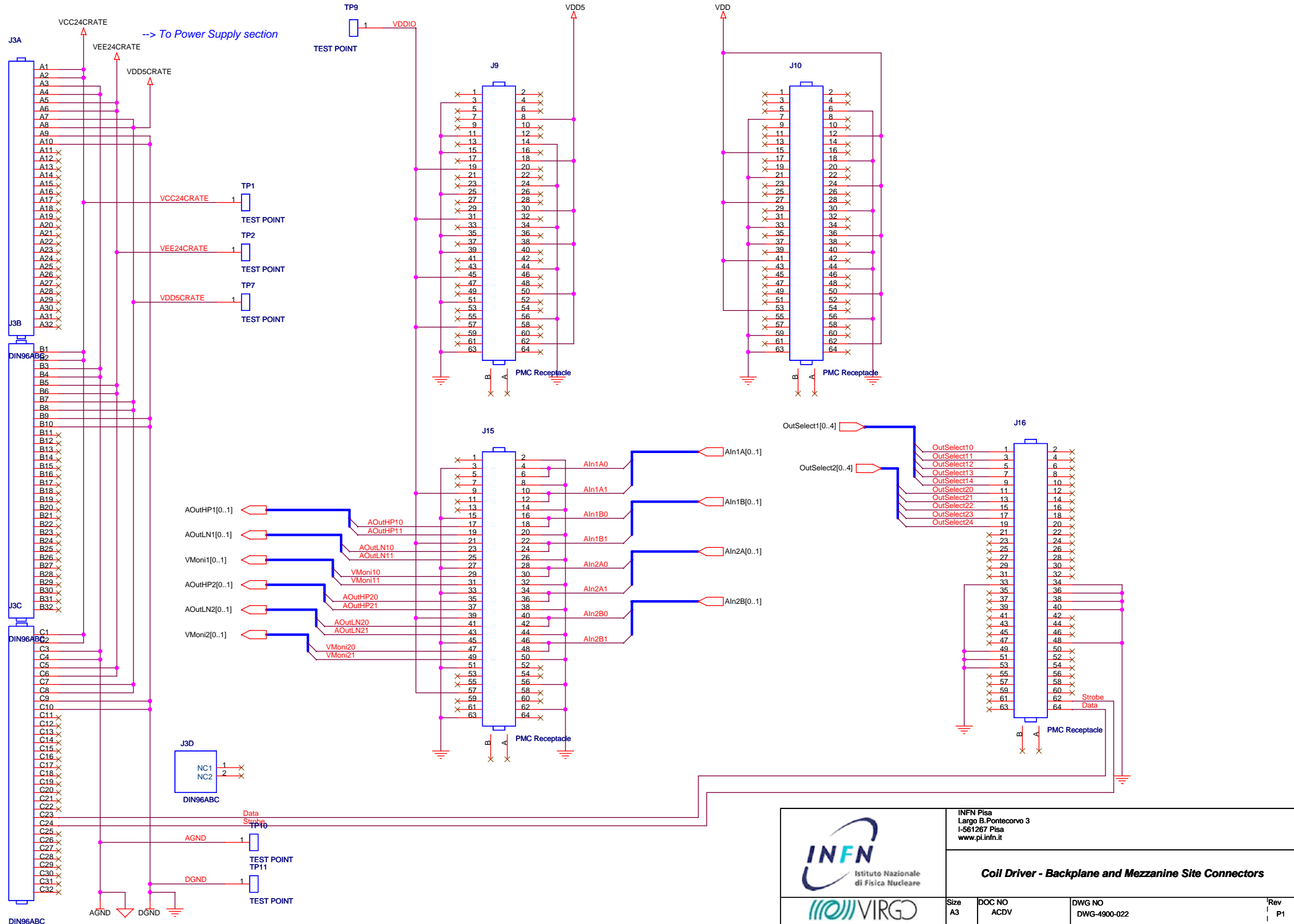


INFN Pisa
 Largo B. Pontecorvo, 3
 I-56127 Pisa
 www.pi.infn.it

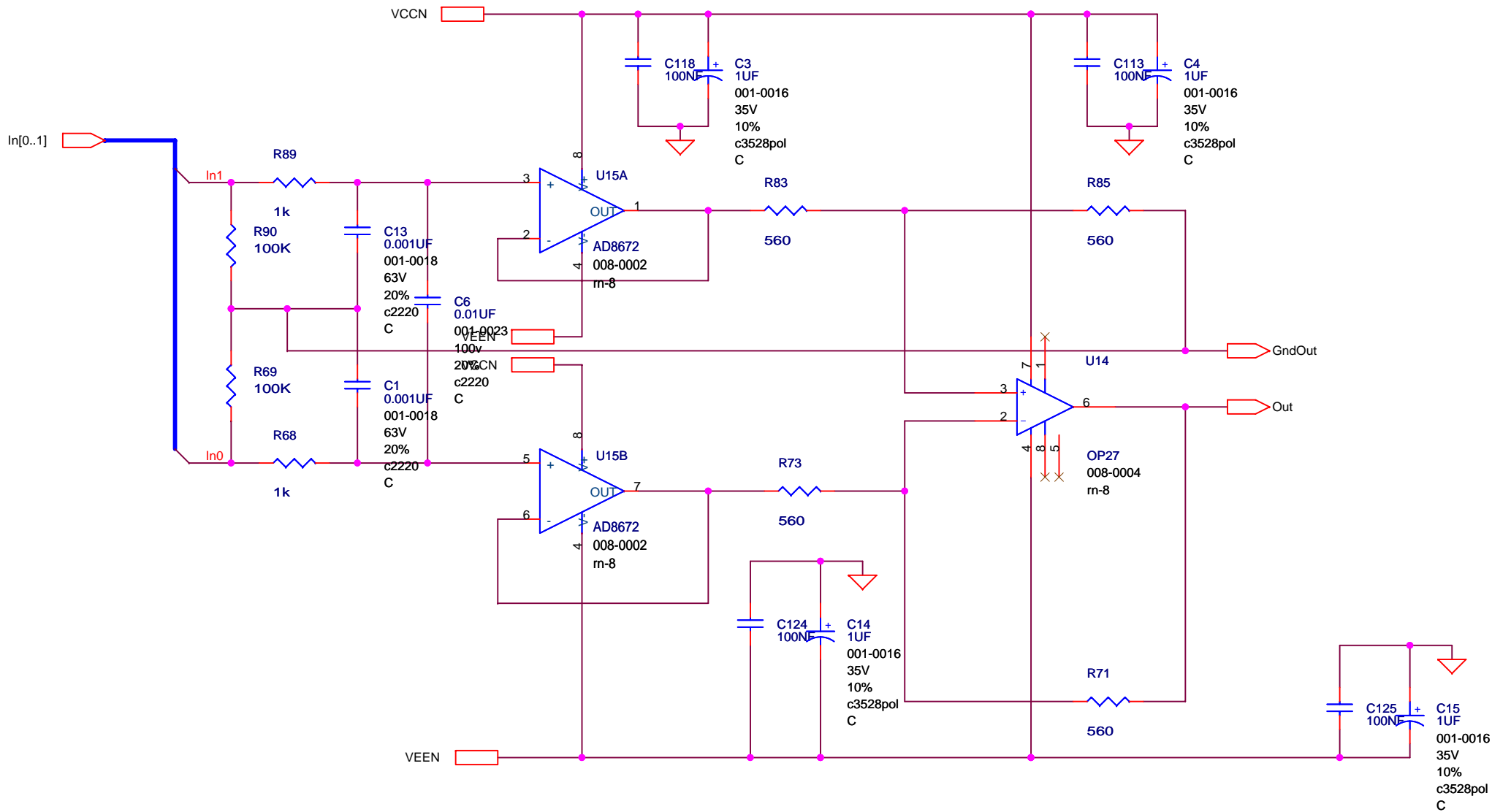
Coil Driver - Balanced Line Driver





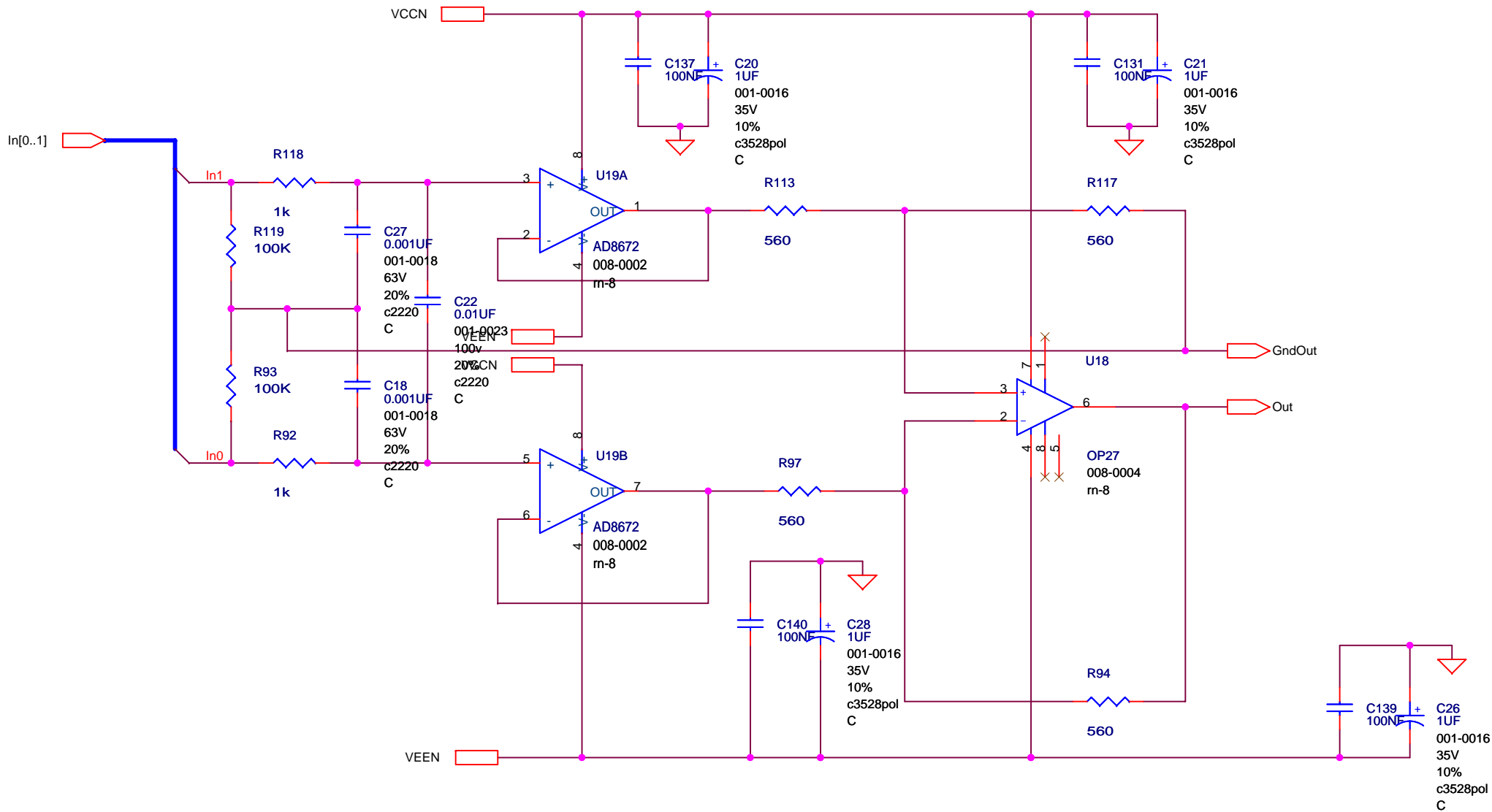
Size A4	DOC NO ACDV	DWG NO DWG-4900-022	Rev P1
------------	----------------	------------------------	-----------





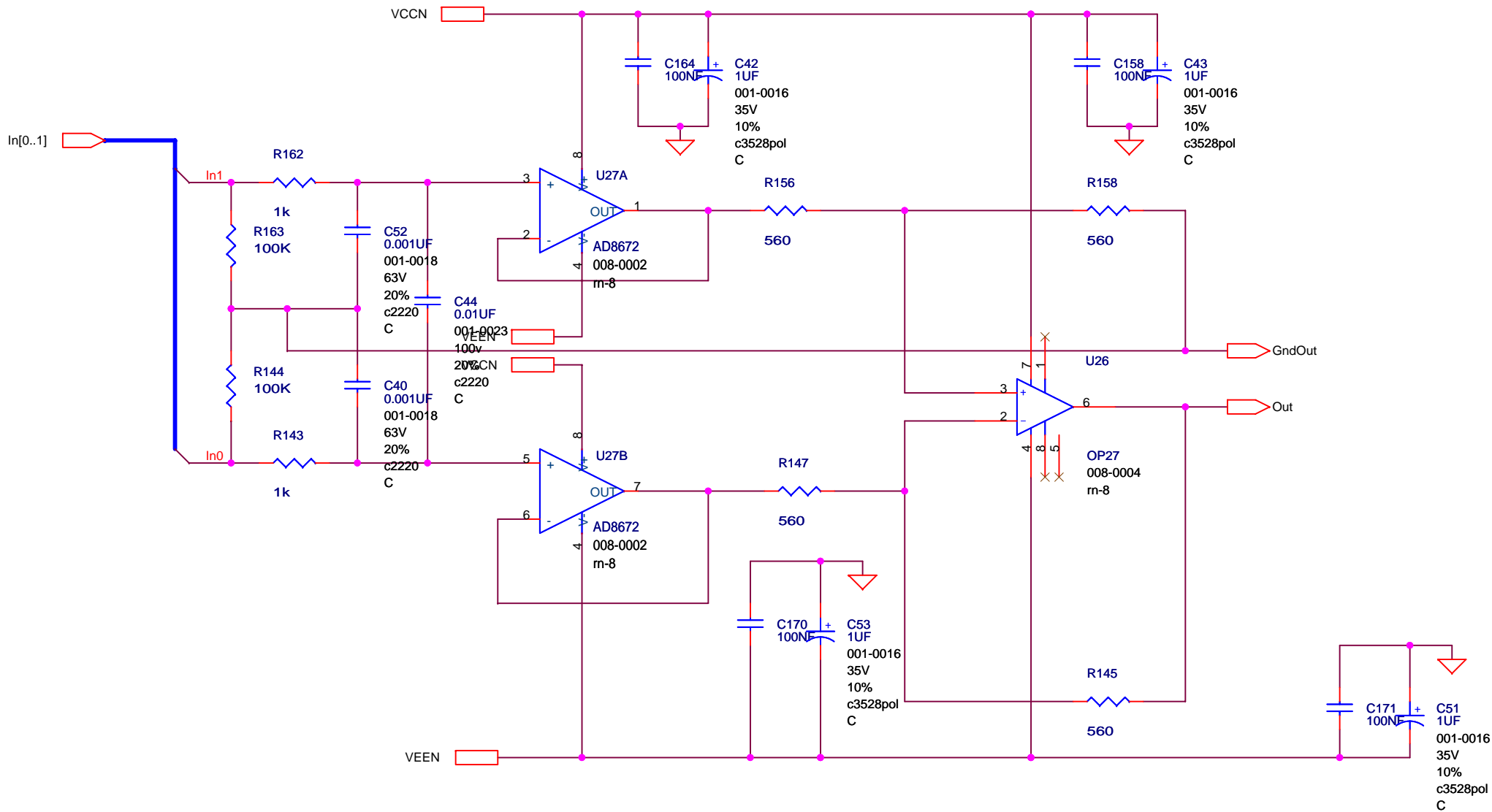
INFN Istituto Nazionale di Fisica Nucleare		INFN Pisa Largo B. Pontecorvo 3 I-561267 Pisa www.pi.infn.it	
Coil Driver - Backplane and Mezzanine Site Connectors			
Size A3	DOC NO ACDV	DWG NO DWG-4900-022	Rev P1
Monday, October 22, 2007	Author A.Gennai	Sheet 11	of 29





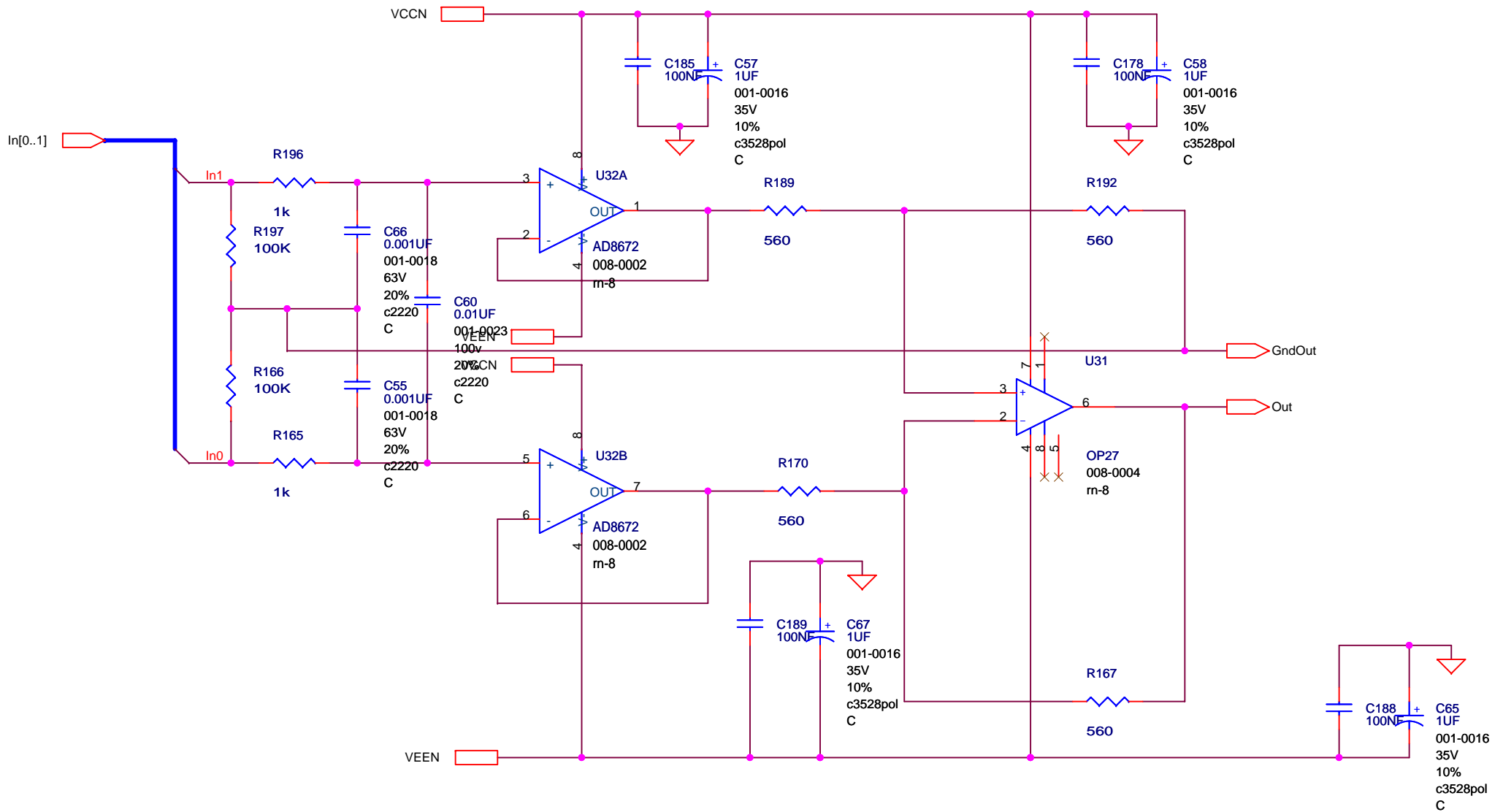
 Istituto Nazionale di Fisica Nucleare	INFN Pisa Largo B. Pontecorvo, 3 I-56127 Pisa www.pi.infn.it			
	Coil Driver - Differential Stage			
	Size A4	DOC NO ACDV	DWG NO DWG-4900-022	Rev P1
Monday, October 22, 2007	Author A. Gennai		Sheet 12 of 29	





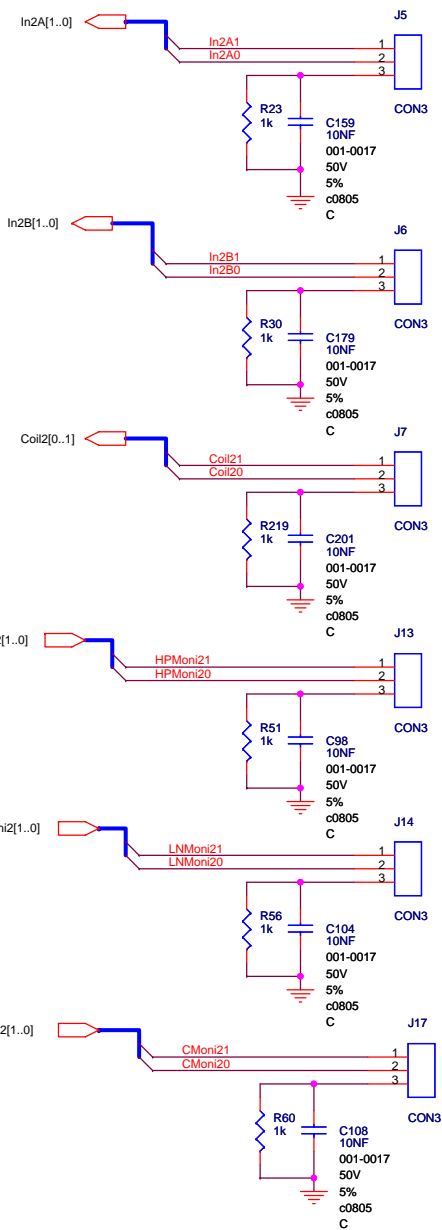
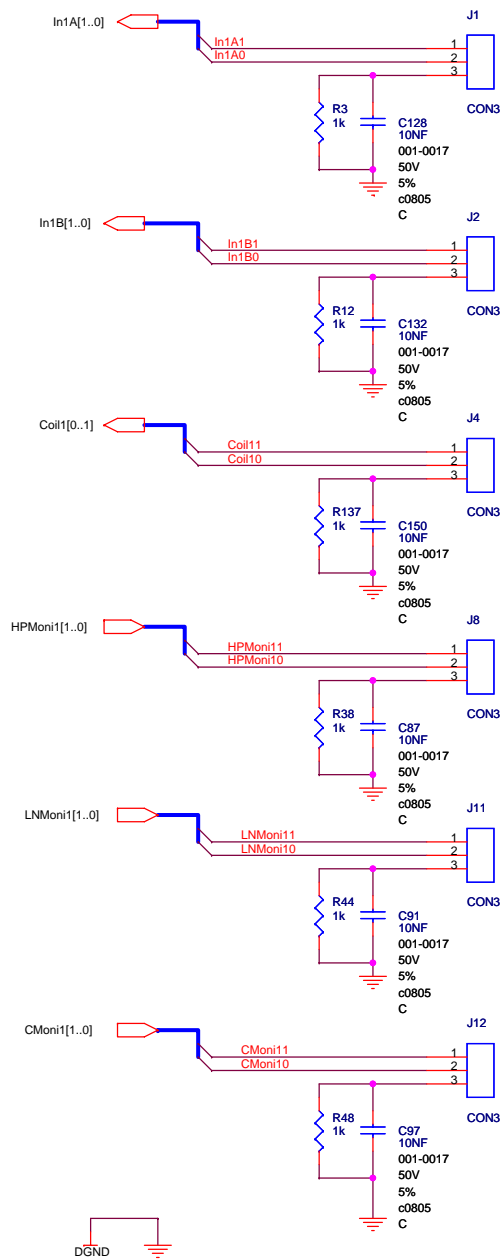
 Istituto Nazionale di Fisica Nucleare	INFN Pisa Largo B. Pontecorvo, 3 I-56127 Pisa www.pi.infn.it			
	Coil Driver - Differential Stage			
	Size A4	DOC NO ACDV	DWG NO DWG-4900-022	Rev P1
Monday, October 22, 2007	Author A. Gennai		Sheet 13 of 29	



 Istituto Nazionale di Fisica Nucleare	INFN Pisa Largo B. Pontecorvo, 3 I-56127 Pisa www.pi.infn.it			
	Coil Driver - Differential Stage			
	Size A4	DOC NO ACDV	DWG NO DWG-4900-022	Rev P1
Monday, October 22, 2007	Author A. Gennai		Sheet 14 of 29	




 Istituto Nazionale di Fisica Nucleare	INFN Pisa Largo B. Pontecorvo, 3 I-56127 Pisa www.pi.infn.it			
	Coil Driver - Differential Stage			
	Size A4	DOC NO ACDV	DWG NO DWG-4900-022	Rev P1
Monday, October 22, 2007	Author A. Gennai		Sheet 15 of 29	



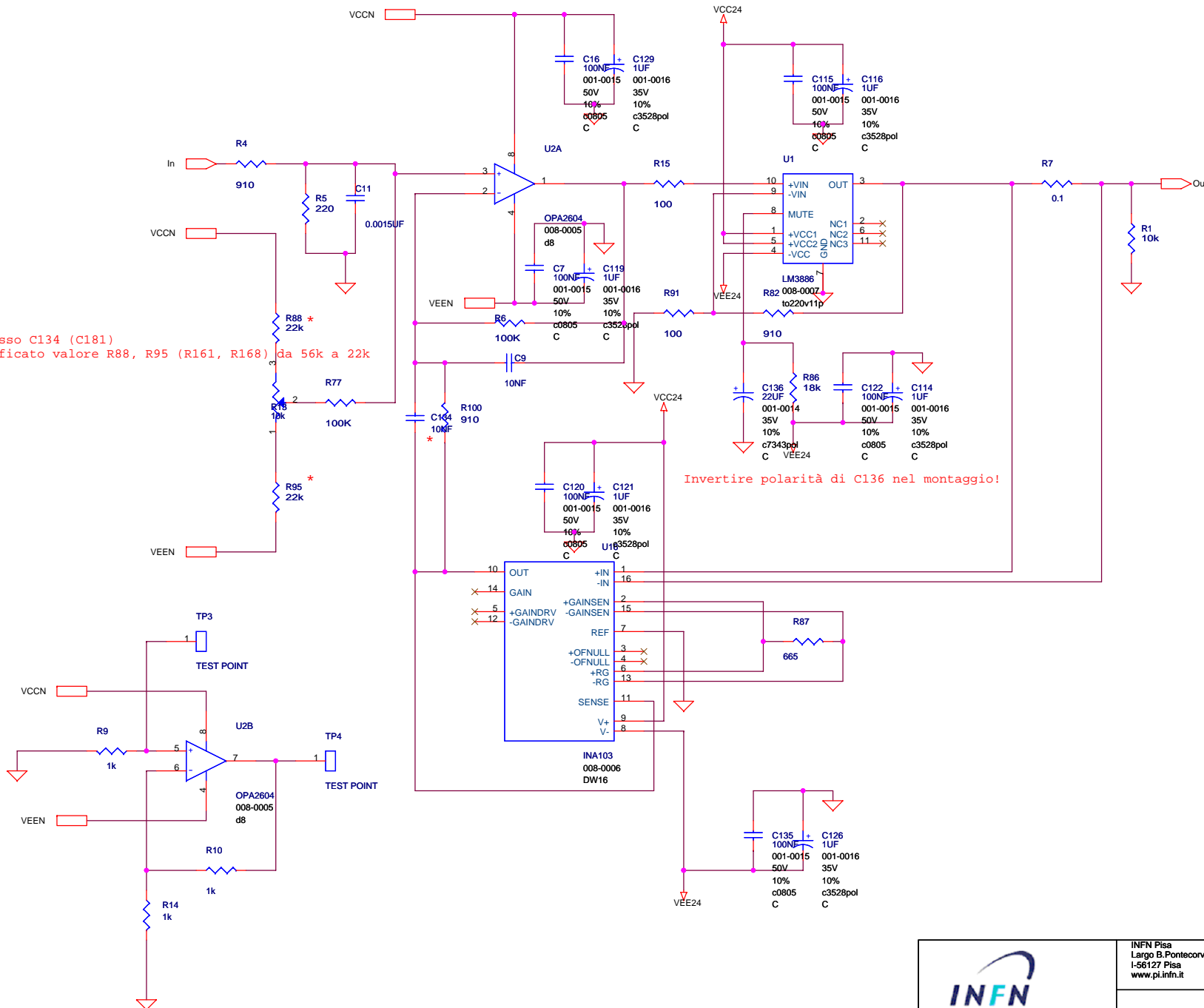
Su J4 e J7 invertire rosso con nero nel cavo per il pannello


DGND

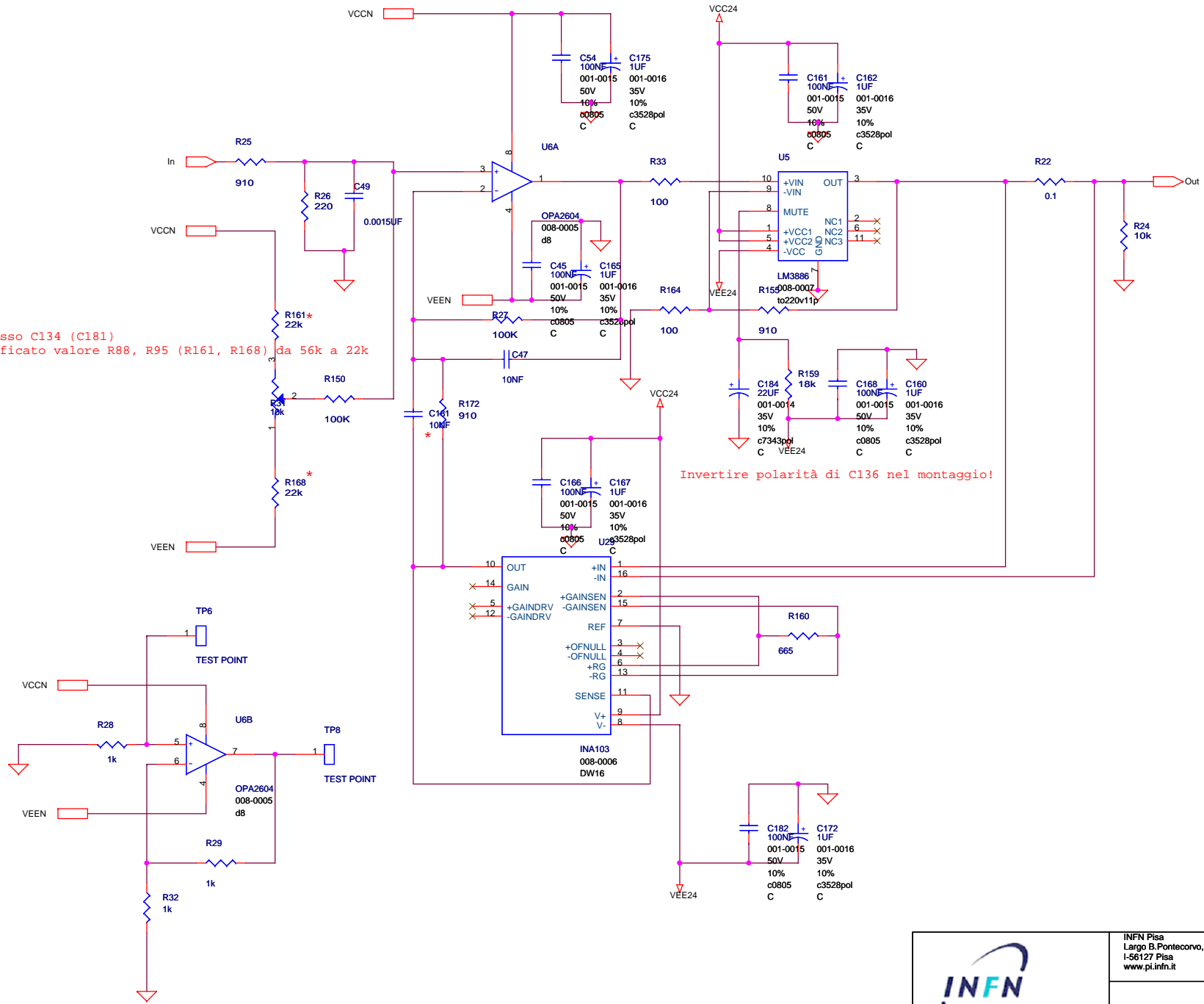
 Istituto Nazionale di Fisica Nucleare	INFN Pisa Largo B. Pontecorvo, 3 I-56127 Pisa www.pi.infn.it		
	Coil Driver - Front Panel Connectors		
Size A3	DOC NO ACDV	DWG NO DWG-4900-022	Rev P1
Monday, April 20, 2009	Author A. Gennai	Sheet 16	of 29

Rimosso C134 (C181)
 Modificato valore R88, R95 (R161, R168) da 56k a 22k

Invertire polarità di C136 nel montaggio!




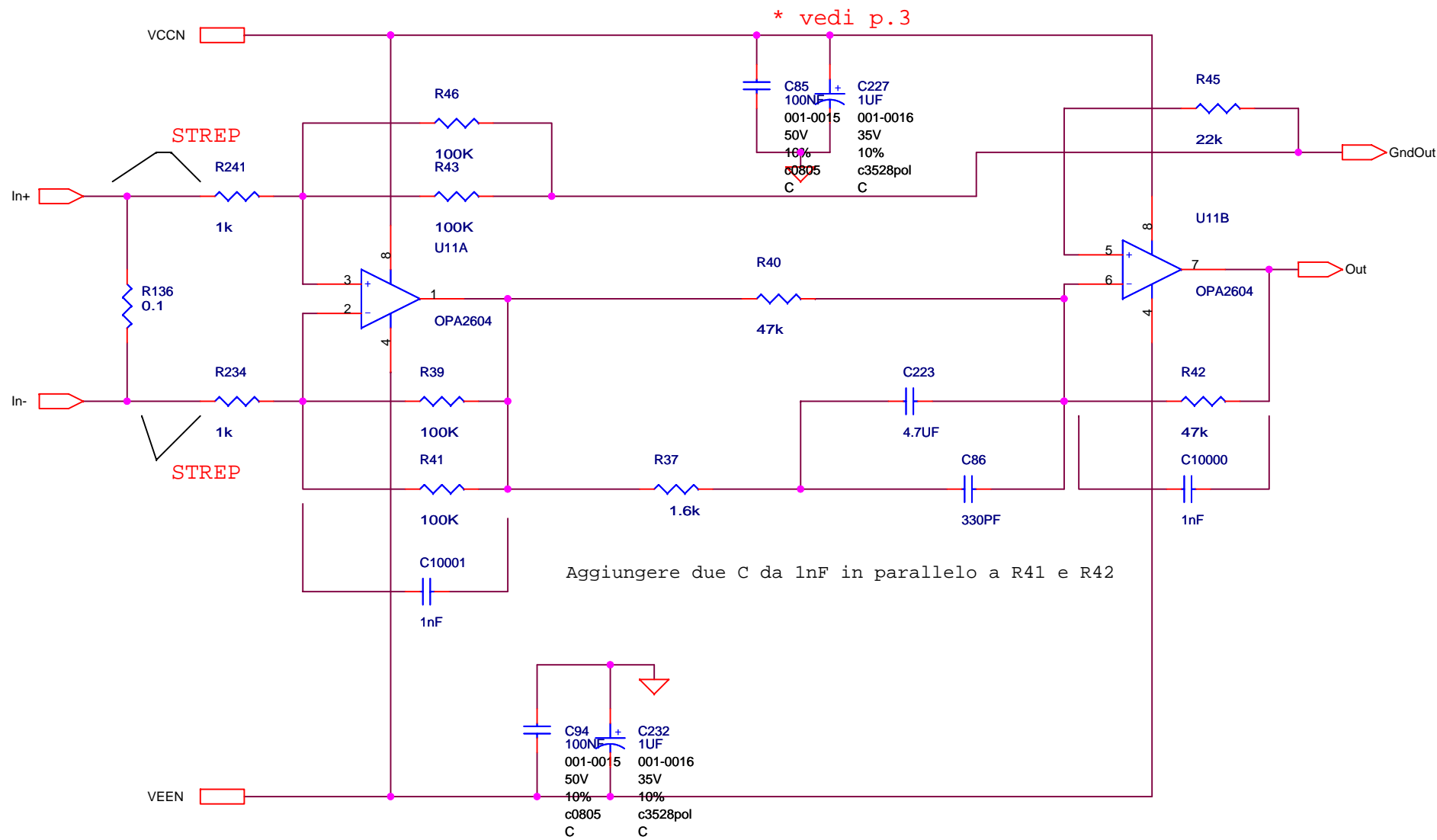
 Istituto Nazionale di Fisica Nucleare		INFN Pisa Largo B. Pontecorvo, 3 I-56127 Pisa www.pi.infn.it	
		Coil Driver - High Power	
Size A3	DOC NO ACDV	DWG NO DWG-4900-022	Rev P1
Author A. Gennai		Sheet 17 of 29	Monday, April 20, 2009





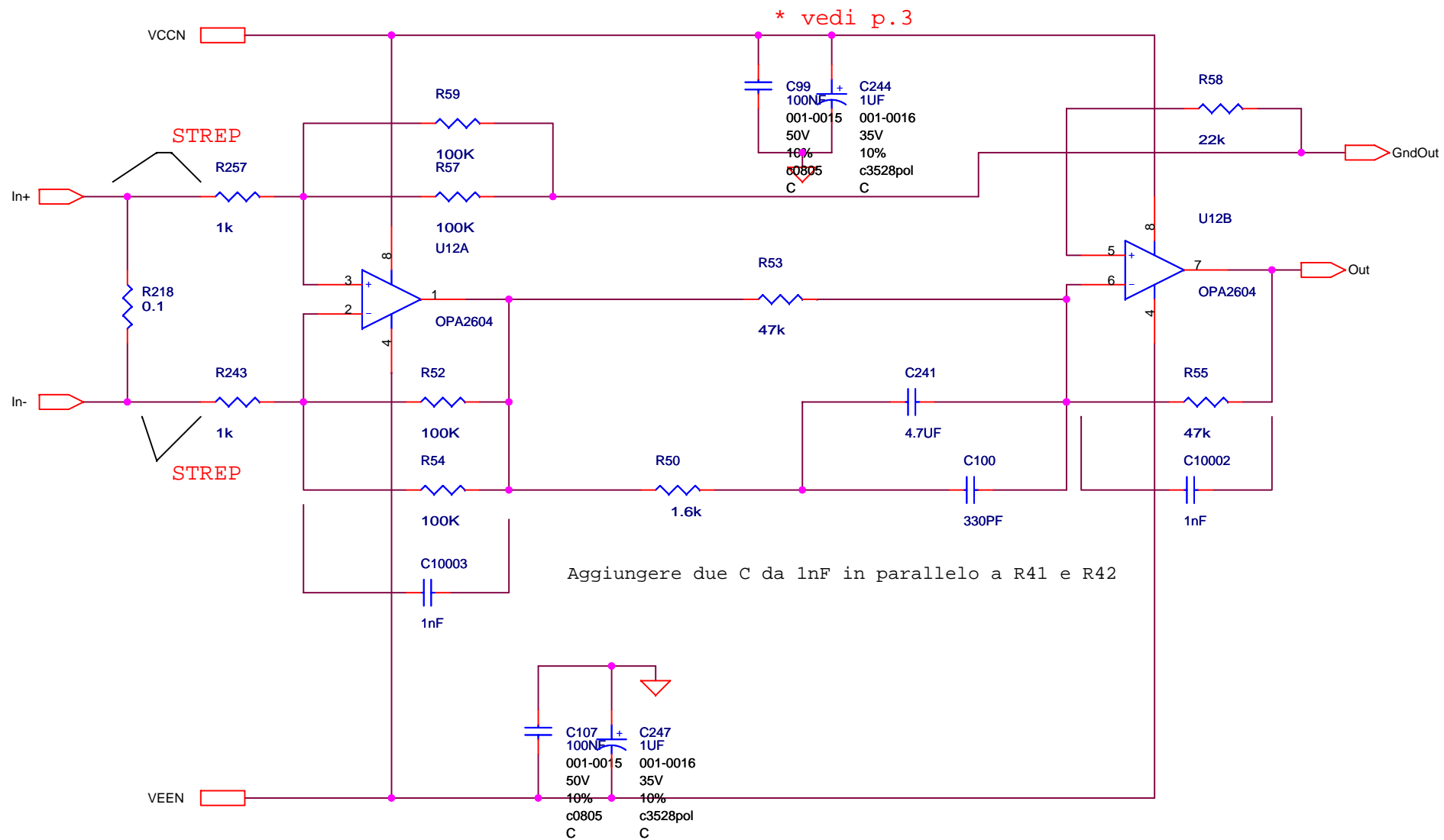
Rimosso C134 (C181)
 Modificato valore R88, R95 (R161, R168) da 56k a 22k



Invertire polarità di C136 nel montaggio!

 Istituto Nazionale di Fisica Nucleare		INFN Pisa Largo B. Pontecorvo, 3 I-56127 Pisa www.pi.infn.it	
		Coil Driver - High Power	
Size A3	DOC NO ACDV	DWG NO DWG-4900-022	Rev P1
Monday, April 20, 2009		Author A. Gennai	Sheet 18 of 29



 Istituto Nazionale di Fisica Nucleare	INFN Pisa Largo B. Pontecorvo, 3 I-56127 Pisa www.pi.infn.it			
	<h3>Coil Driver - High Power Monitoring</h3>			
	Size A4	DOC NO ACDV	DWG NO DWG-4900-022	Rev P1
Monday, April 20, 2009	Author A. Gennai		Sheet 19 of 29	

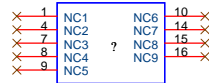


 Istituto Nazionale di Fisica Nucleare	INFN Pisa Largo B. Pontecorvo, 3 I-56127 Pisa www.pi.infn.it			
	Coil Driver - High Power Monitoring			
	Size A4	DOC NO ACDV	DWG NO DWG-4900-022	Rev P1
Monday, April 20, 2009	Author A. Gennai		Sheet 20 of 29	

AD743JR-16

?

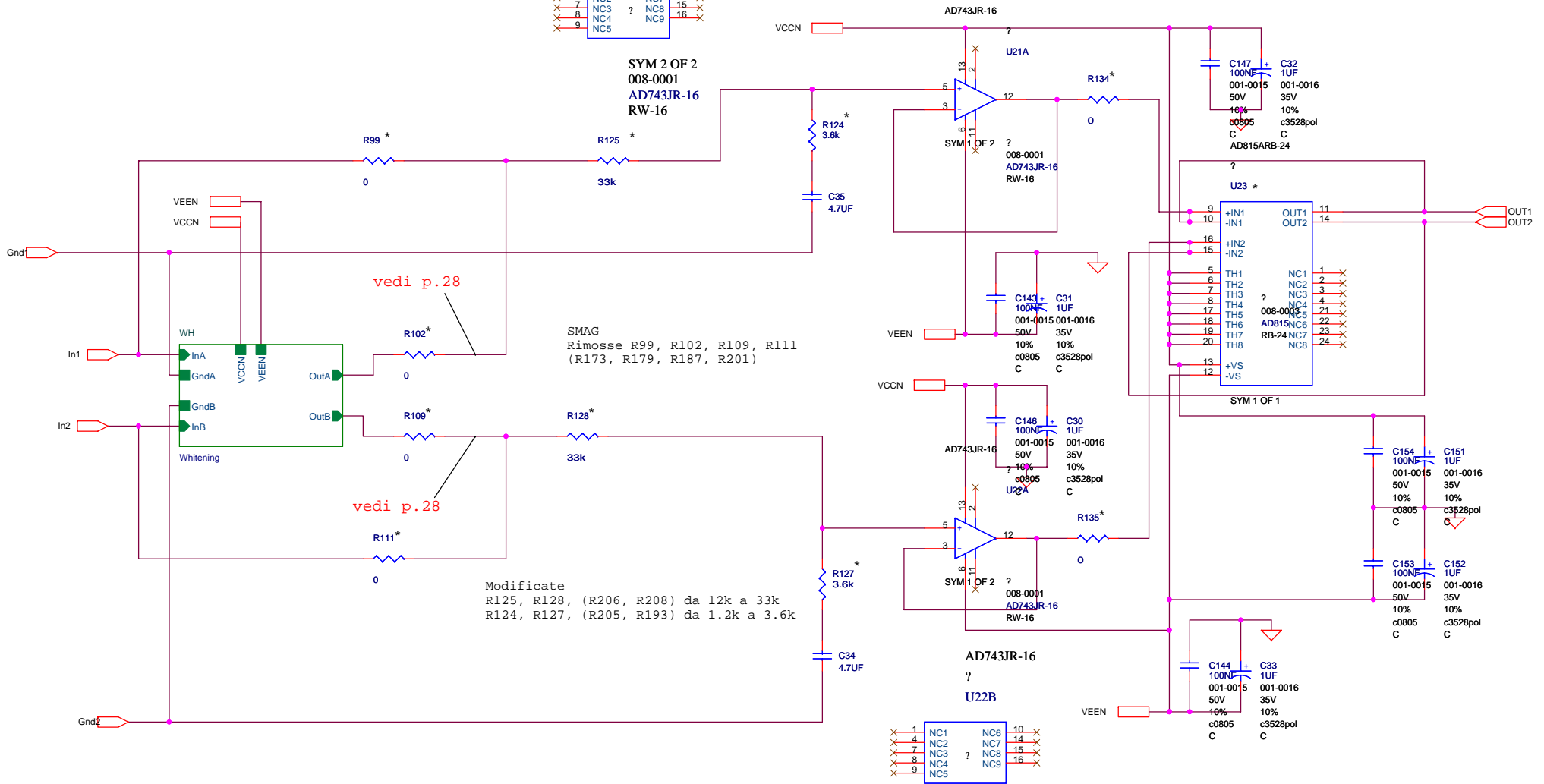
U21B



SYM 2 OF 2
008-0001
AD743JR-16
RW-16

SMAG

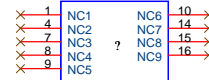
Modificate R134, R135 (R217, R207) da 100 a 0 ohm
Rimosso U23 (U35) cortocircuitare pin 9-10 e 15-16.



SMAG
Rimosse R99, R102, R109, R111
(R173, R179, R187, R201)

Modificate
R125, R128, (R206, R208) da 12k a 33k
R124, R127, (R205, R193) da 1.2k a 3.6k

SYM 2 OF 2
008-0001
AD743JR-16
RW-16



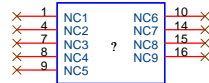
INFN Pisa Largo B. Pontecorvo, 3 I-56127 Pisa www.pi.infn.it			
Coil Driver - Low Noise			
Size A3	DOC NO ACDV	DWG NO DWG-4900-022	Rev P1
Author A. Gennai	Sheet 21	of 29	

Monday, August 10, 2009

AD743JR-16

?

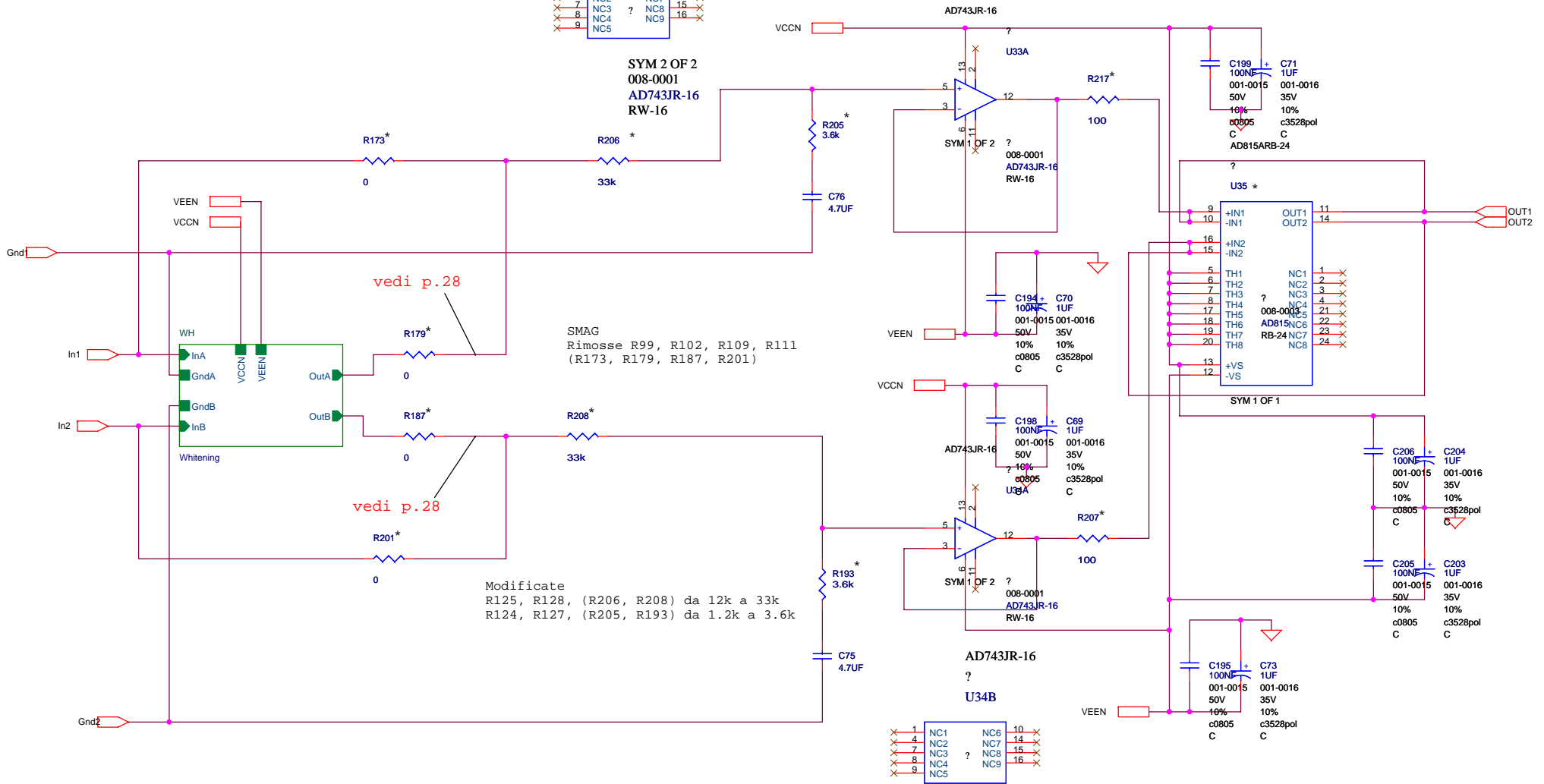
U33B



SYM 2 OF 2
008-0001
AD743JR-16
RW-16

SMAG

Modificate R134, R135 (R217, R207) da 100 a 0 ohm
Rimosso U23 (U35) cortocircuitare pin 9-10 e 15-16.

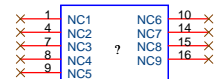


vedi p. 28

vedi p. 28

Modificate
R125, R128, (R206, R208) da 12k a 33k
R124, R127, (R205, R193) da 1.2k a 3.6k

SMAG
Rimosse R99, R102, R109, R111
(R173, R179, R187, R201)



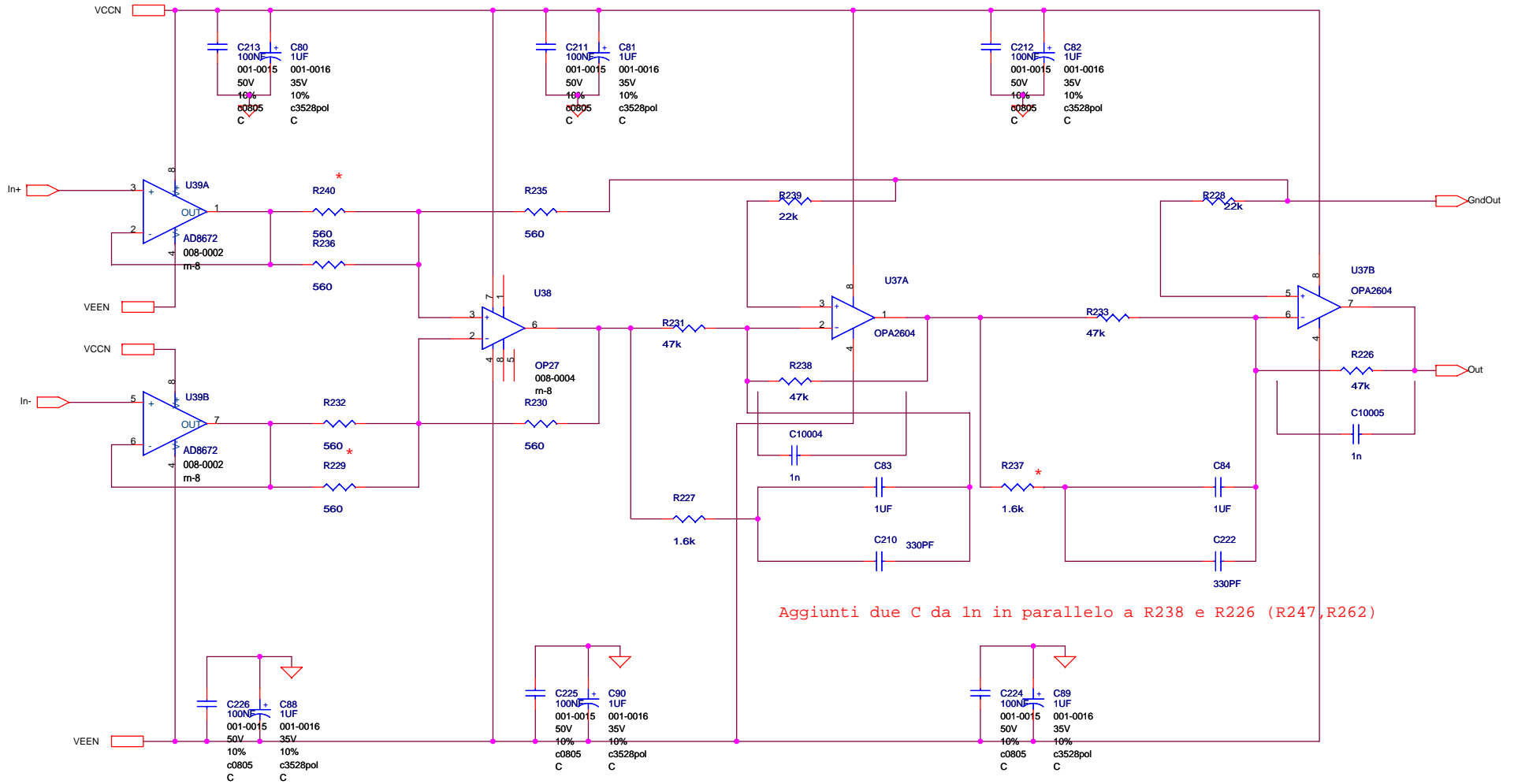
SYM 2 OF 2
008-0001
AD743JR-16
RW-16



INFN Pisa Largo B. Pontecorvo, 3 I-56127 Pisa www.pi.infn.it			
Coil Driver - Low Noise			
Size A3	DOC NO ACDV	DWG NO DWG-4900-022	Rev P1
Author A. Gennai		Sheet 22 of 29	

Monday, August 10, 2009

Rimosse R229, R240, R237
(R248, R260, R261)



Aggiunti due C da 1n in parallelo a R238 e R226 (R247, R262)



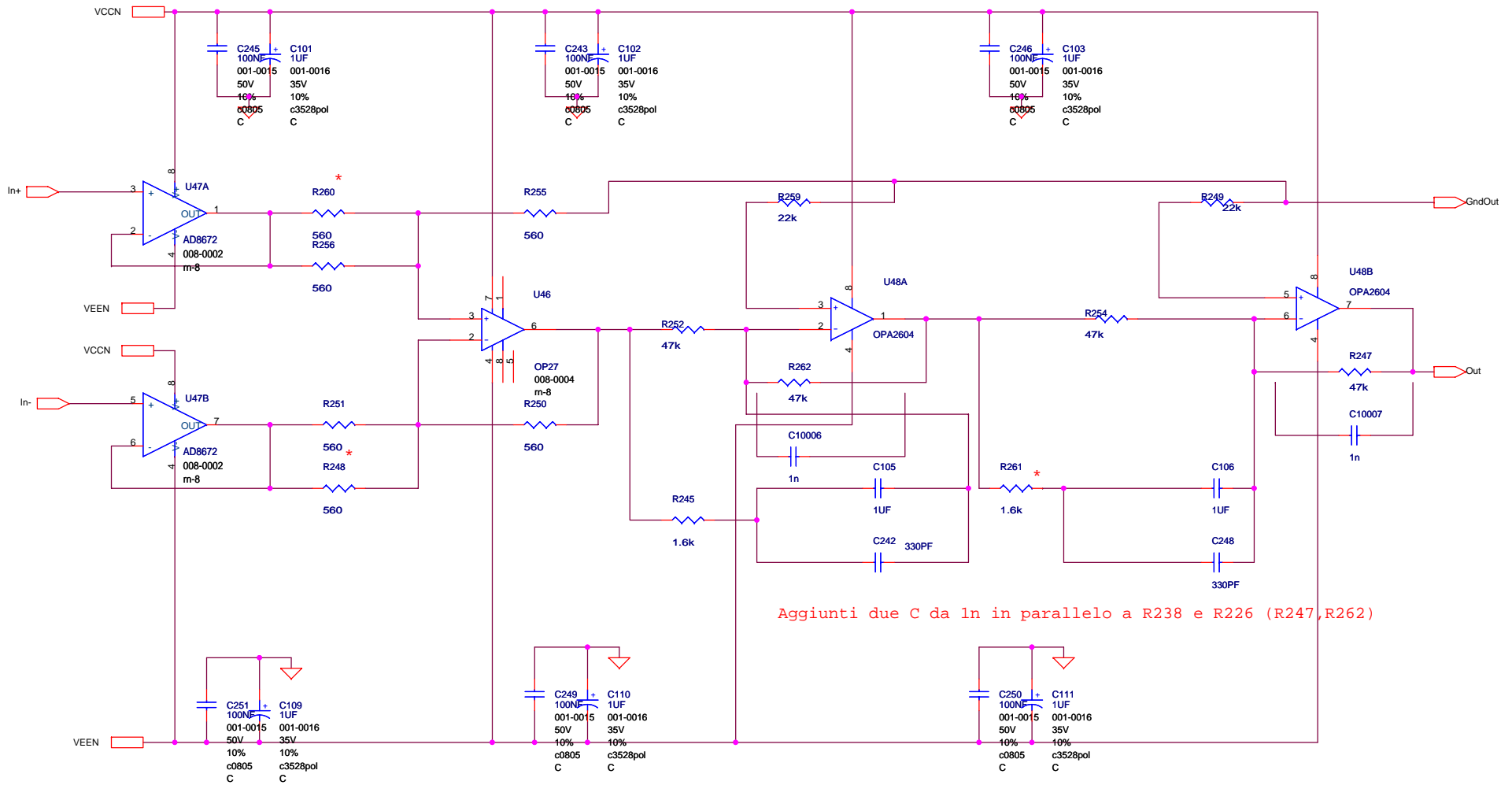
Monday, April 27, 2009

INFN Pisa
Largo B. Pontecorvo, 3
I-56127 Pisa
www.pi.infn.it

Coil Driver - Low Noise Monitoring

Size A3	DOC NO ACDV	DWG NO DWG-4900-022	Rev P1
Author A. Gennai		Sheet 23 of 29	

Rimosse R229, R240, R237
(R248, R260, R261)

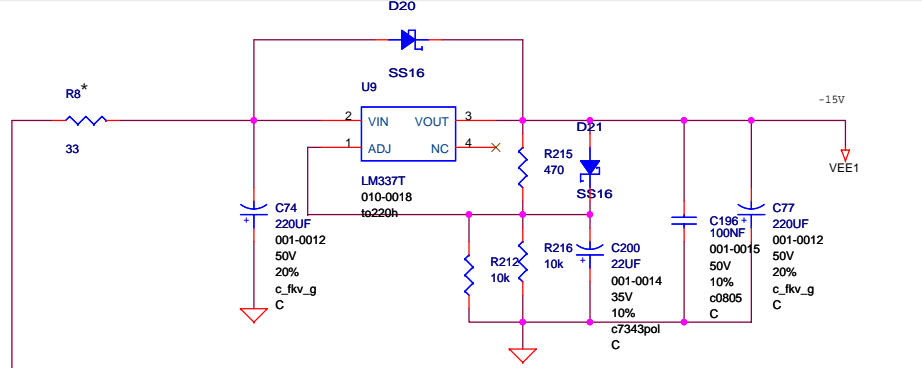
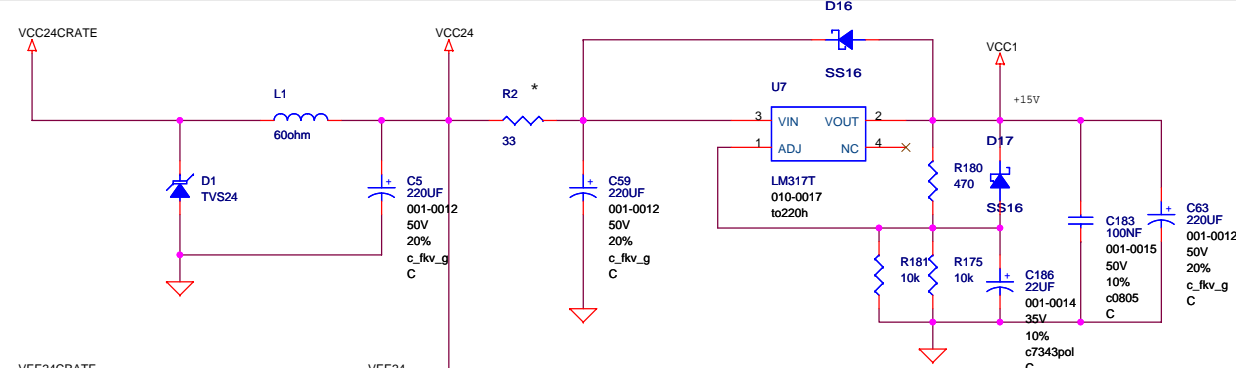


Monday, April 27, 2009

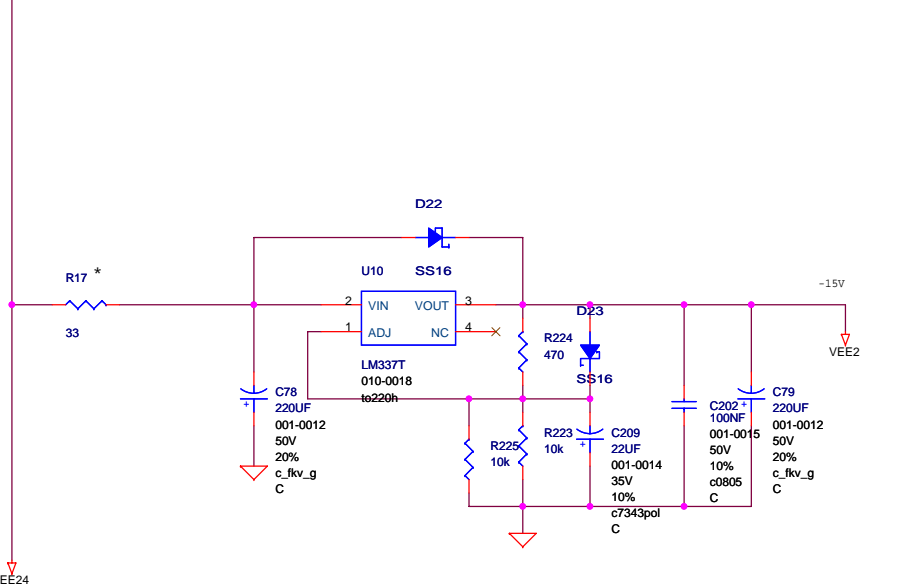
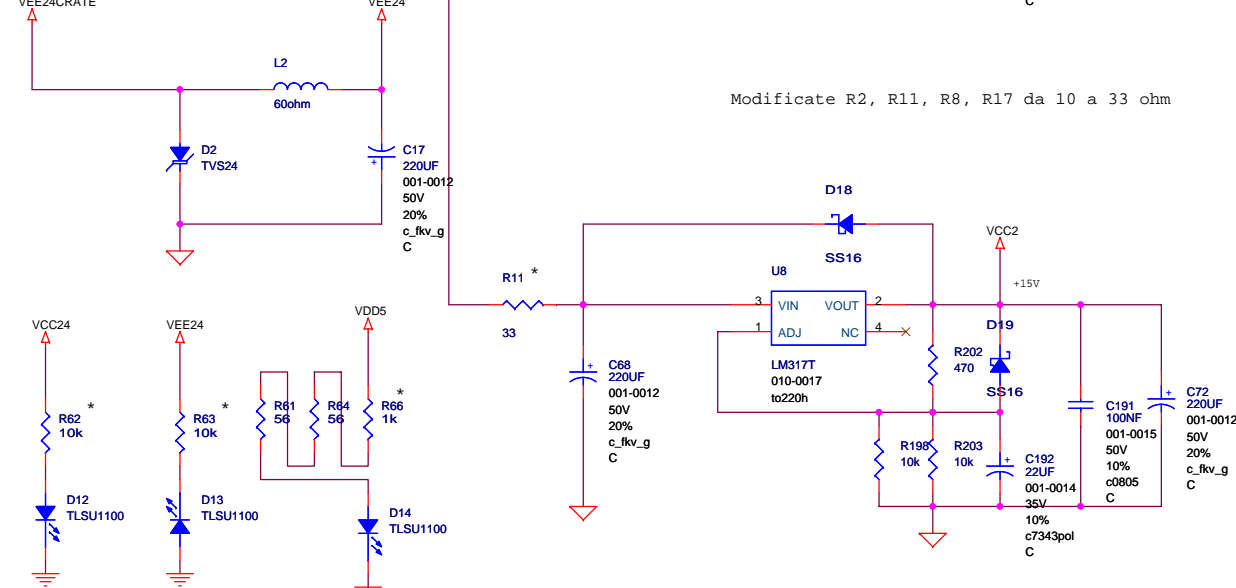
INFN Pisa
Largo B. Pontecorvo, 3
I-56127 Pisa
www.pi.infn.it

Coil Driver - Low Noise Monitoring

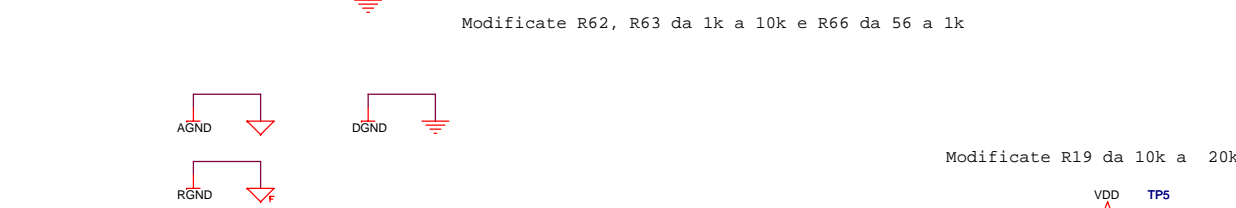
Size A3	DOC NO ACDV	DWG NO DWG-4900-022	Rev P1
Author A. Gennai		Sheet 24 of 29	



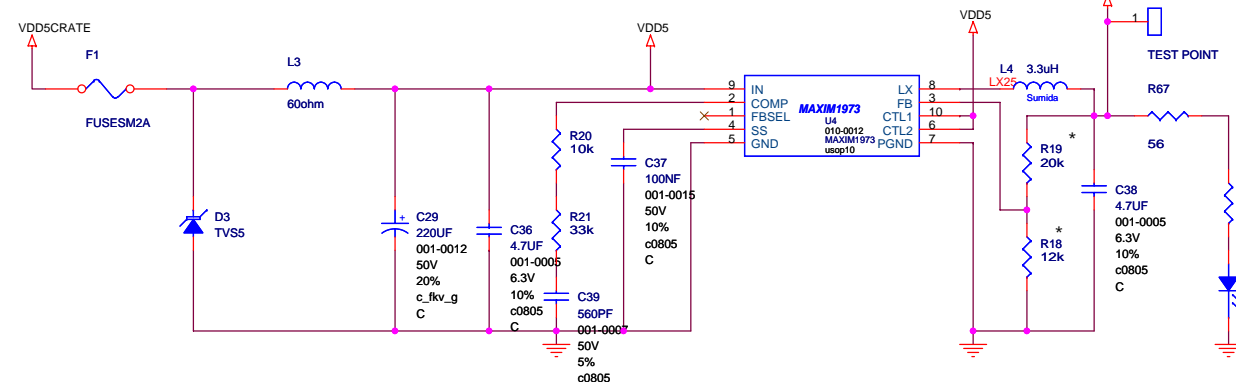
Modificate R2, R11, R8, R17 da 10 a 33 ohm





Modificate R62, R63 da 1k a 10k e R66 da 56 a 1k



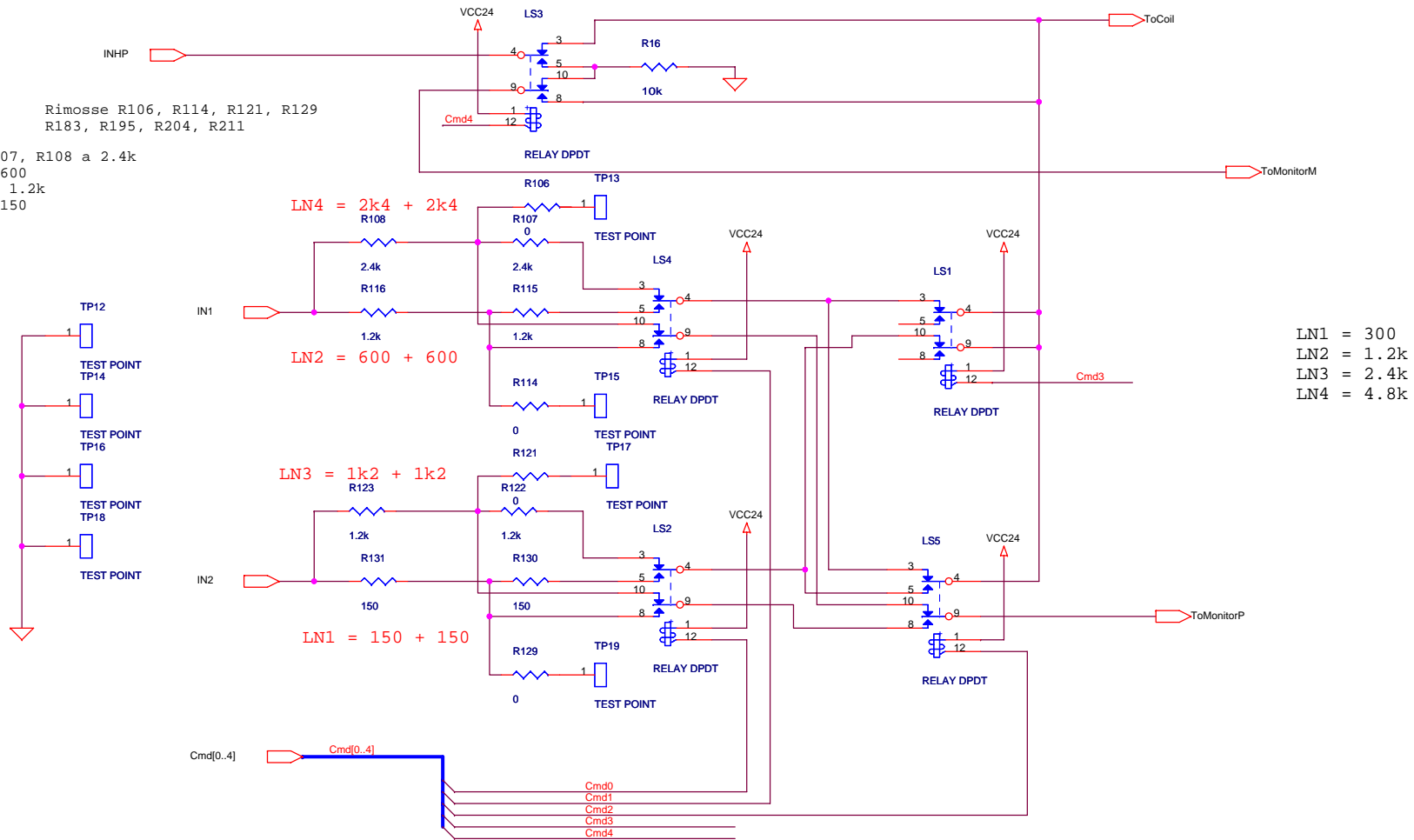
Modificate R19 da 10k a 20k



 Istituto Nazionale di Fisica Nucleare	INFN Pisa Largo B. Pontecorvo, 3 I-56127 Pisa www.pi.infn.it		
	Coil Driver - Power Supply		
	Size A3	DOC NO ACDV	DWG NO DWG-4900-022
Monday, August 10, 2009	Author A. Gennai	Sheet 25	Rev P1 of 29

Rimosse R106, R114, R121, R129
R183, R195, R204, R211

Modificate R107, R108 a 2.4k
R115, R116 a 600
R122, R123 a 1.2k
R130, R131 a 150



Monday, April 20, 2009

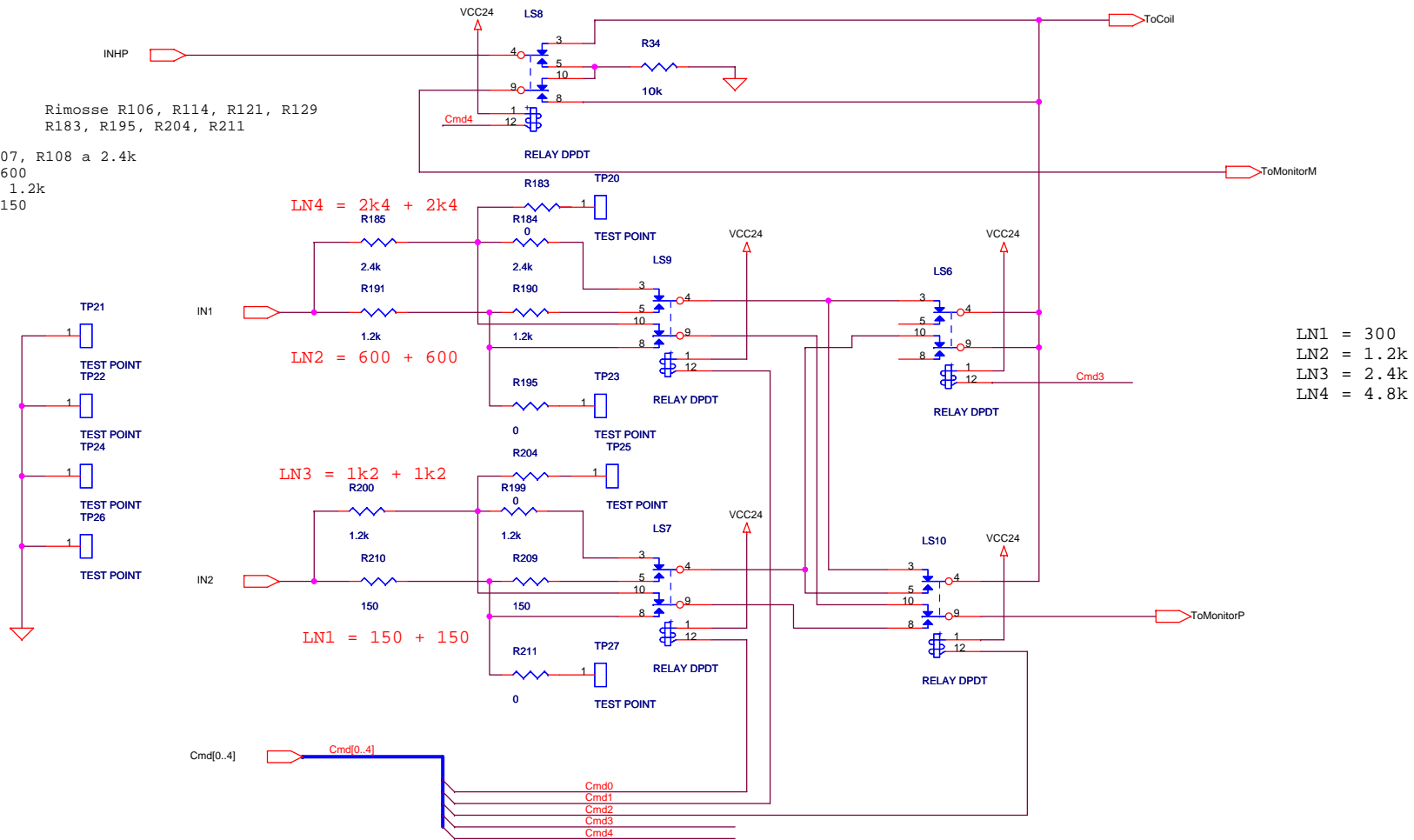
INFN Pisa
Largo B. Pontecorvo, 3
I-56127 Pisa
www.pi.infn.it

Coil Driver - Main Relays

Size A3	DOC NO ACDV	DWG NO DWG-4900-022	Rev A
Author A. Gennai		Sheet 26	of 29

Rimosse R106, R114, R121, R129
R183, R195, R204, R211

Modificate R107, R108 a 2.4k
R115, R116 a 600
R122, R123 a 1.2k
R130, R131 a 150



LN1 = 300
LN2 = 1.2k
LN3 = 2.4k
LN4 = 4.8k



Monday, April 20, 2009

INFN Pisa
Largo B. Pontecorvo, 3
I-56127 Pisa
www.pi.infn.it

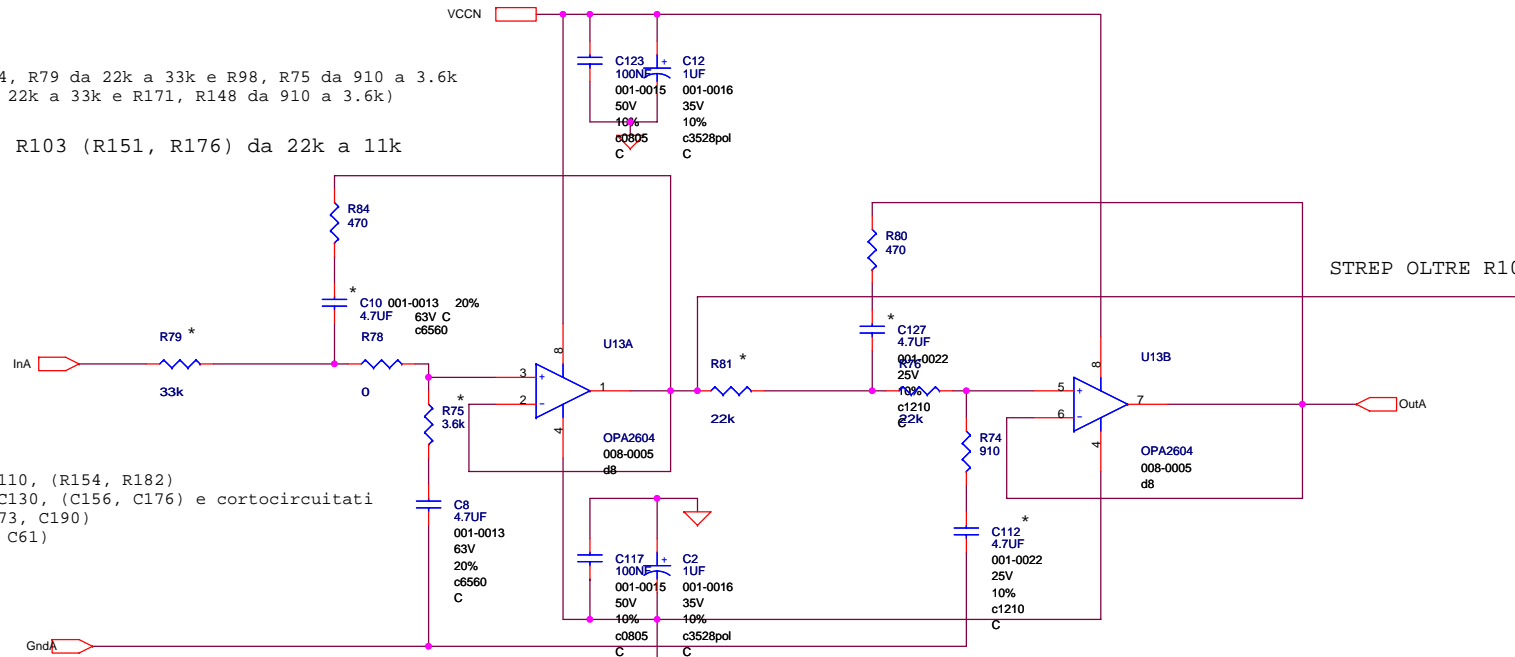
Coil Driver - Main Relays

Size A3	DOC NO ACDV	DWG NO DWG-4900-022	Rev A
Author A. Gennai		Sheet 27	of 29

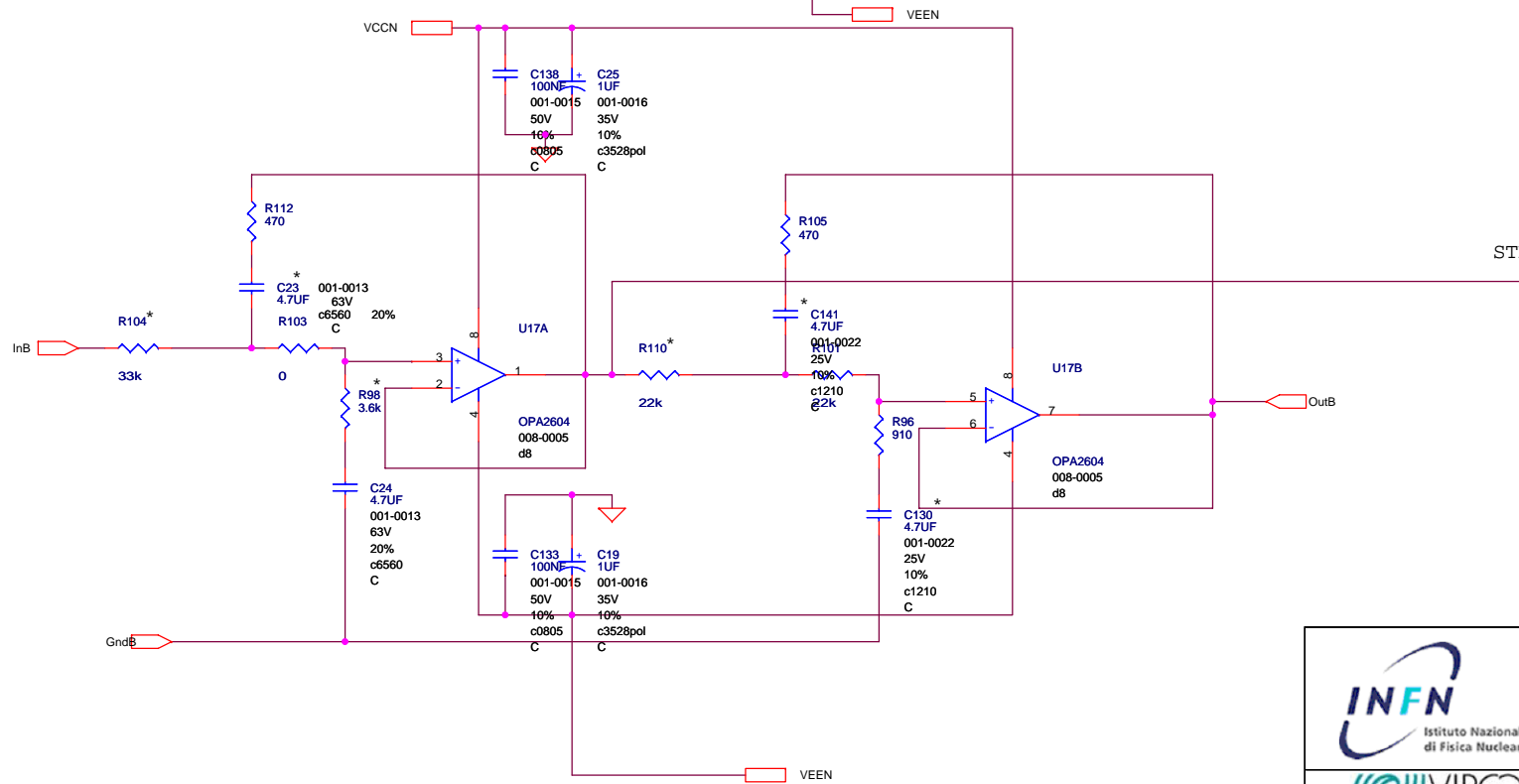
Modificate R104, R79 da 22k a 33k e R98, R75 da 910 a 3.6k
(R152, R177 da 22k a 33k e R171, R148 da 910 a 3.6k)

Modificata R78, R103 (R151, R176) da 22k a 11k

Rimosse R81, R110, (R154, R182)
Rimossi C112, C130, (C156, C176) e cortocircuitati
C127, C141 (C173, C190)
C10, C23 (C48, C61)



STREP OLTRE R102 (p.21)



STREP OLTRE R109 (p.21)



Monday, August 10, 2009

INFN Pisa
Largo B. Pontecorvo, 3
I-56127 Pisa
www.pi.infn.it

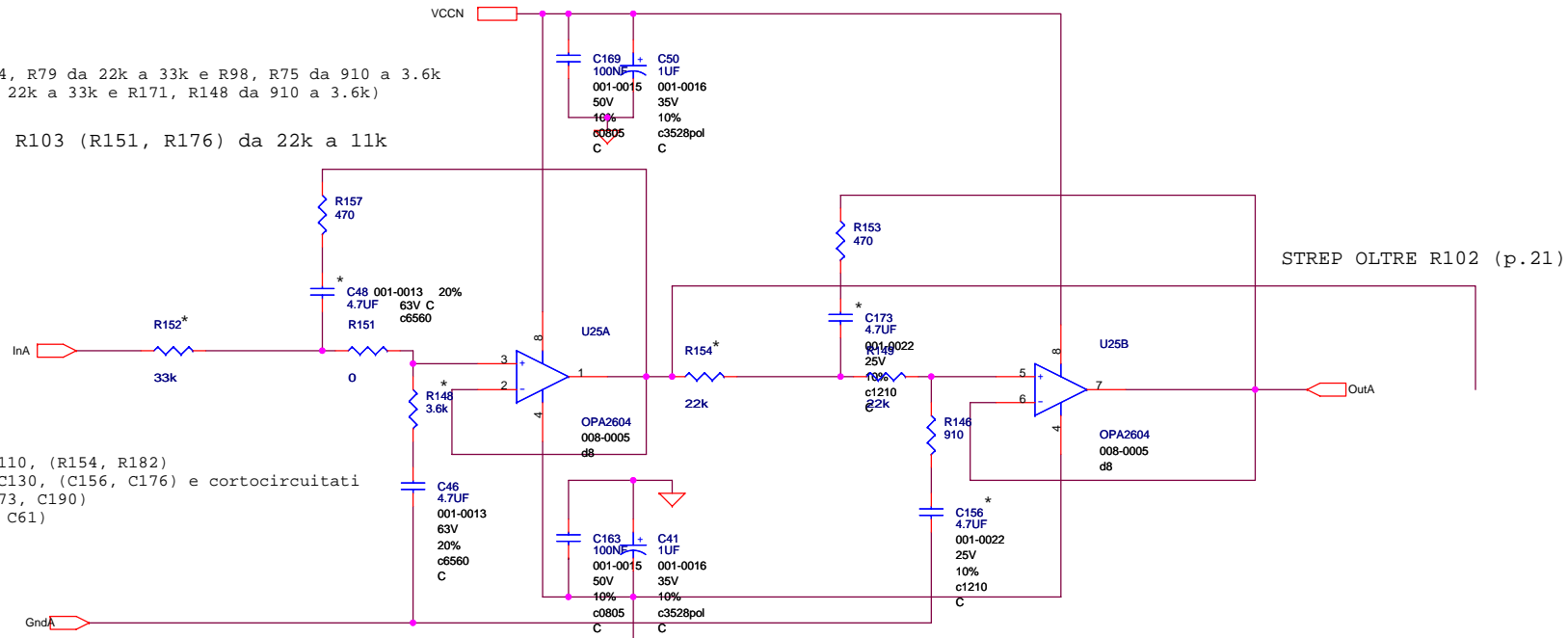
Coil Driver - Whitening Filter

Size A3	DOC NO ACDV	DWG NO DWG-4900-022	Rev P1
Author A. Gennai		Sheet 28	of 29

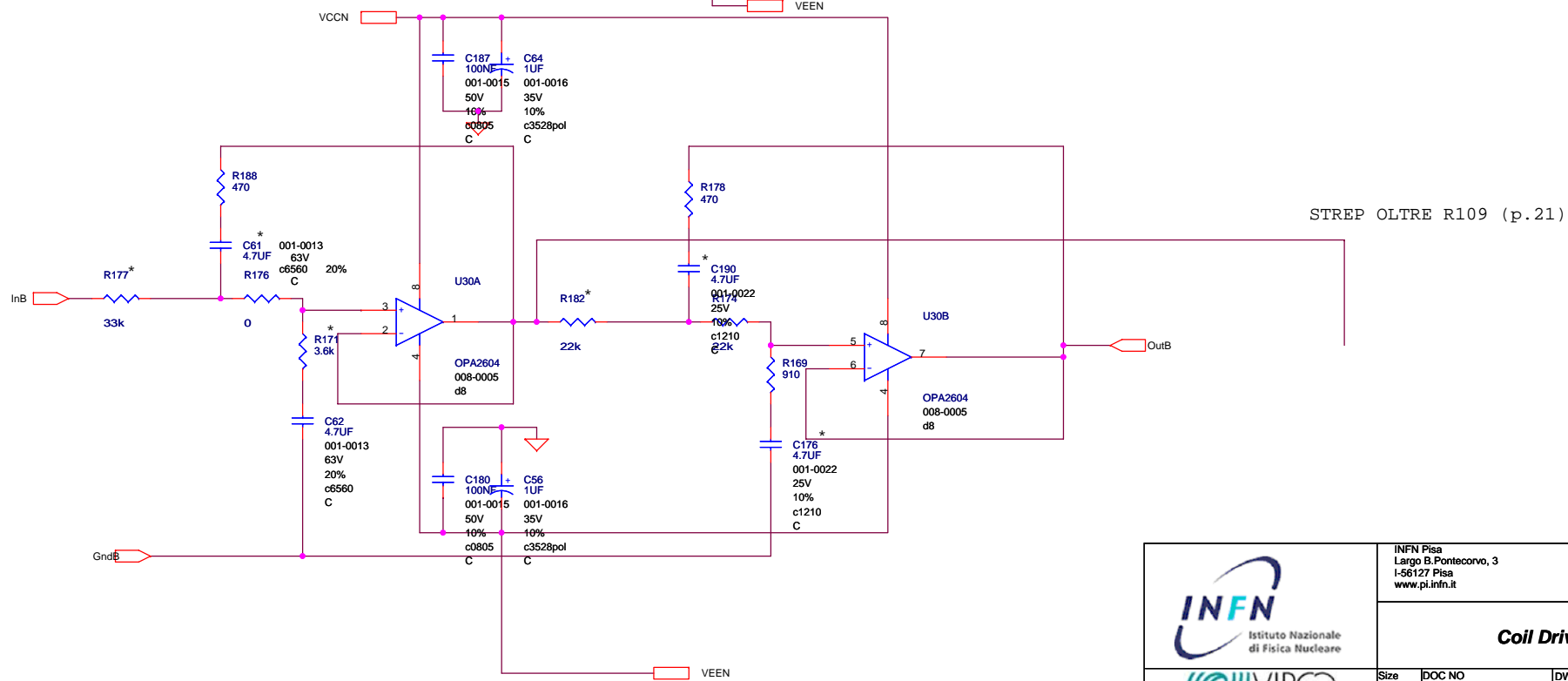
Modificate R104, R79 da 22k a 33k e R98, R75 da 910 a 3.6k
(R152, R177 da 22k a 33k e R171, R148 da 910 a 3.6k)

Modificata R78, R103 (R151, R176) da 22k a 11k

Rimosse R81, R110, (R154, R182)
Rimossi C112, C130, (C156, C176) e cortocircuitati
C127, C141 (C173, C190)
C10, C23 (C48, C61)



STREP OLTRE R102 (p.21)



STREP OLTRE R109 (p.21)



INFN Pisa
Largo B. Pontecorvo, 3
I-56127 Pisa
www.pi.infn.it

Coil Driver - Whitening Filter

Size A3	DOC NO ACDV	DWG NO DWG-4900-022	Rev P1
Author A. Gennai		Sheet 29	of 29

Monday, August 10, 2009