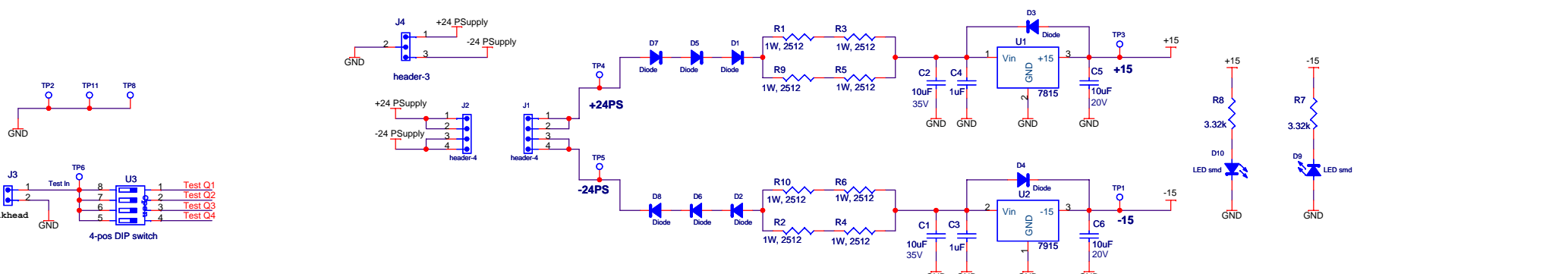
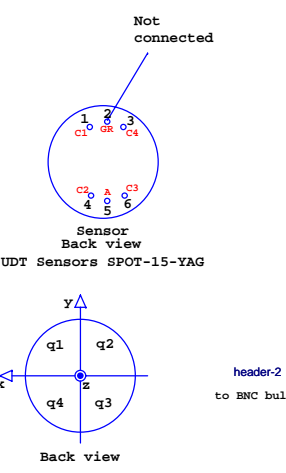


A0 = 0 dB, Ainf = 20 dB
 fz = 1 Hz
 fp = 10 Hz

A0 = 0 dB, Ainf = 20 dB
 fz = 1 Hz
 fp = 10 Hz



Title		ISYS DC Quadrant Photodiode		VIRGO	
European Gravitational Observatory	EGO	Engineer	F. Nocera	Doc Number	<Dxx>
Created	April 10th, 2007				
Last Modified	Feb 21st, 2008				
File	C:\Main\CADENCE\BMS QPDCAD\BMS QPD				
					Sheet 1 of 1