

This doc purpose is to be a snapshot of the situation after the relocation has been completed

Legend

1. LAS1 rack is now in the EE Room and it is called EER1
2. LAS3 rack is renamed LAS1 (therefore what in AnnexesLLEleReloc -260808 rotated.doc is called LAS3 will be changed in LAS1 in this one)
3. LAS4 will be renamed LAS3 here
4. LAS5 will be renamed LAS4 here

Annexes

#	Description	Hyperlink
1	Laser Lab Electronics List	
2	Laser Lab Cables and Signals	
3	Laser Lab Rack Layout	

Automatic information fields

(do not edit)

Description	Value
Last saved by:	
Last saved time:	01/01/1601 2.00
Automatic versioning	1
Automatic title	Virgo change request
Filename	Documento7

Annex 1 Laser Lab Electronics

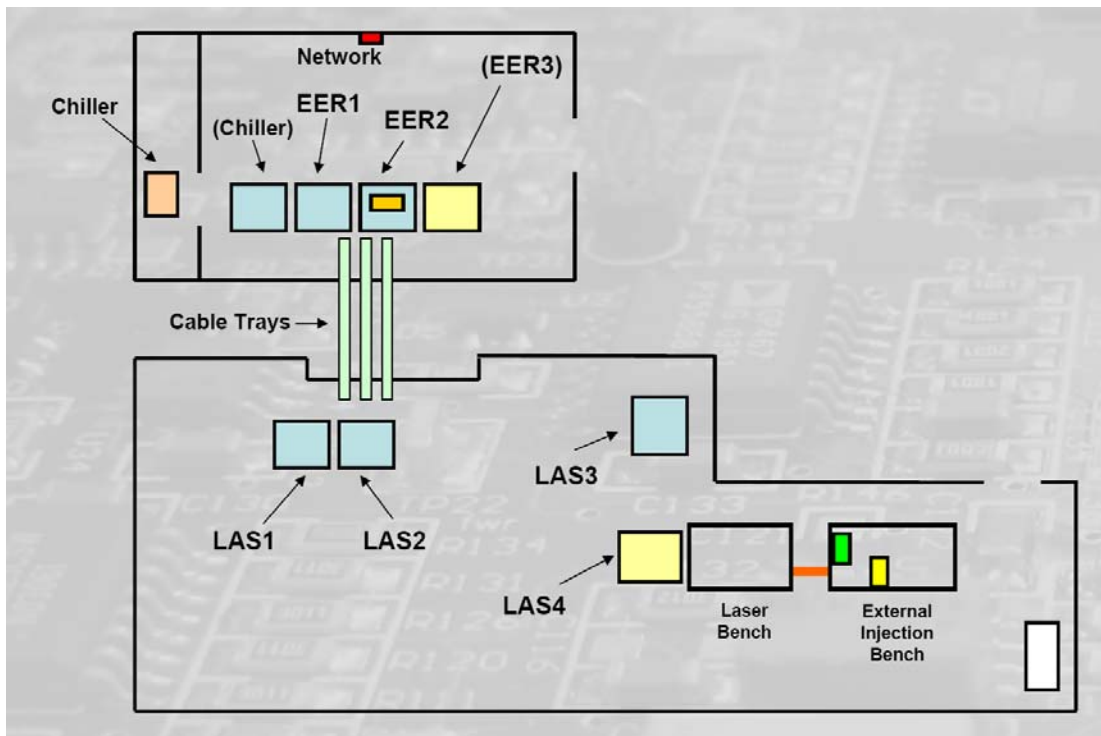


Fig. 2: Laser Lab / EE Room layout: electronic devices distribution

EER1 -- Slave Laser Power Supply Rack

Crate EER1/C1	Power Stabilization Power Supply	EE Room
Crate EER1/C2	Power Stabilization crate	EE Room
Crate EER1/C3	Peltier Power Supply	EE Room
Crate EER1/C4	Diode2 Power Supply	EE Room
Crate EER1/C5	PS2 --Diode1 High Current Supply	EE Room
Crate EER1/C6	Diode1 Power Supply	EE Room
Crate EER1/C7	PS1 --Diode1 High Current Supply	EE Room
Crate EER1/C8	PID diode and Crystal temperatures	EE Room

EER2 -- Digital Rack

Crate EER2/C1	Timing distribution
Crate EER2/C2	Network switch
Piezo Drivers	
BMS Drivers	
EER PP2	
Crate C30	DAQ channels
EER PP1	
Crate C28	Photodiode Readout
EER PP0	

EER3 – Short Rack

Crate EER3/C1 Power Supply for C28

Other Devices

Suspended Injection Bench Piezo Drivers EE Room
Diode Box EE Room

LAS1 -- ISYS Servo Rack

Crate LAS1/C1 RF Synthesizer Laser Lab
Crate LAS1/C2 RF Distribution Crate Laser Lab
Crate LAS1/C3 Mode Cleaner Rampeauto (Rampeauto Maitre) Laser Lab
Crate LAS1/C4 PreMode Cleaner Rampeauto Laser Lab
Crate LAS1/C5 Injection Rampeauto (Injection locking) Laser Lab
Crate LAS1/C6 qztsynth (w/ 22 MHz xtal) + ... Laser Lab
Crate LAS1/C7 14 MHz xtal - dephaser crate Laser Lab
Crate LAS1/C8 Power Supply1 Laser Lab
Crate LAS1/C9 Power Supply2 Laser Lab

LAS2 – LAPP's

LAS2 PP2
Crate LAS2/C2 Power Supply (Power-1-ADC) Laser Lab
LAS2 PP1
Crate LAS2/C4 Demod Boards... Laser Lab
AA box

LAS3 -- Patch Panel Rack

LAS3 PP3 Patch Panels to/from Laser Lab (DAQ, Det Lab) Laser Lab
LA3/C1 Galvo Driver Laser Lab
LA3/C2 SIB PSDs Front-End electronics Laser Lab
LA3/C3/ D1..Dx SIB and EIB picomotor power supplies and drivers Laser Lab
LA3/C4 J-P Coulon's Buffer Laser Lab
LAS3 PP2 Patch Panel 0..108 Laser Lab
LAS3 PP1 Patch Panel A1..A34 Laser Lab

LAS4 – Short Rack

Crate LAS4/C1 Master Laser Power Supply Laser Lab
Crate LAS4/C2 RF Power Amplifier Laser Lab
Crate LAS4/C3/D1 PreMode Cleaner Pump *Pressure Gauge* (TBR) Laser Lab
Crate LAS4/C3/D2 PreMode Cleaner Pump *Amplifier* (TBR) Laser Lab

Other Devices

EIB/D1..Dy SIB and EIB translation stages power supply and drivers Laser Lab
EIB/D1..Dy Scanning Fabry-Perot electronics Laser Lab
Quadrivision

Annex 2 Laser Lab Cables and Signals

EER1 -- Slave Laser Power Supply Rack

EER1/C1

Power Stabilization Power Supply

EGO-EG DC Power Supply – 2 Output Level (dual) $\pm 24V$ SN 001
 +24 on the back side to EER1/C2 back (inside)

EER1/C2

Power Stabilization Crate

SN	PP	Panel Label	Conn type	Cable Type	Destination	Signal
1	EER PP2 #31	AC-Monit	BNC	Coax	LAS3-PP A20 (DAQ/R17/C39 Bd8 Ch5, Bs-IMC-D1T-DCHF)	AC-Monit D1T-DCHF
2	EER PP2 #32	AC-Input	BNC	Coax	Ampli IMCTra_6MHz (IB DPS PD, DCHF)	AC-Input
3	EER PP2 #33	Driver DC Bs-Icorr-DC	BNC	Coax	T (a) EER1/C5 (#8) (b) LAS3/Buf Ch4 In	Driver DC
4	EER PP2 #43	Driver AC Bs-Icorr-DCHF	BNC	Coax	T (a) Diode Box (#6) (b) Thru Pomona Box (Att 350-50) LAS3/Buf Ch5 In	Driver AC
5		Pstab-Perturb	BNC	Coax	NC	
6		DC Monit	BNC	Coax	NC	
7		DC Input	BNC	Coax	NC	
8	EER PP2 #44	Po-Cr	BNC	Coax	LAS3-PP70	Po-Cr
9	EER PP1 #43	IMC-D1T-6M	BNC	Coax	LAS2/C4 #63 – Bd9	IMC-D1T- 6M
10					NC	

EER1/C3

Peltier Power Supply

SN	Panel Label	Conn type	Cable Type	Destination	Signal
1	RS485/3	DB9	flat	RS 485/2 EER1/C8/#3	RS485/3
2	RS485/1	DB9	flat	NC	

Back

3			“Grey”	Shorted	
4			“Grey”	EER1/C5/#9	SC1
5	30V, Tec PS		“Grey”	EER1/C8/#5	30V, Tec PS

EER1/C4**Diode2 Power Supply*****Back***

SN	Panel Label	Conn type	Cable Type	Destination	Signal
1	6V diodes PS2		“Grey”	EER1/C5/#2	6V diodes PS2
2	Ctrl PS2	DB 25		EER1/C5/#1	Ctrl PS2
	380V 3-phase Power				

EER1/C5**PS2 --Diode1 High Current Supply*****Back***

1		Control Interface	DB25		EER1/C4/#2	
2		INPUT 6V diodes PS2		“Grey”	EER1/C4/#1	6V diodes PS2
3		Diode 2		“Grey”	Diode Box - #0a	DIODE 2
4		Status 2	DB25	NC		
5		LDC r2	BNC	NC		
6		ADC 2	DB9	NC		
7		LDIc2	BNC	NC		
8		DC Driver IN	BNC	DC Driver IN	EER1/C2/#3	Driver DC
9		IN		“Grey”	EER1/C3/#4	SC2/SC1
10		OUT		“Grey”	EER1/C7/#9	SC2/SC3
		AC Power			LAS1-PDU2	
11	EER PP1 #15	Bs SL I2	UTP 2 BNC		LAS3-PP6	Bs-SL-I2

EER1/C6**Diode1 Power Supply*****Back***

1	6V diodes PS1		“Grey”	EER1/C7/#2	6V diodes PS1
2	Remote	DB9		NC	
3	Ctrl PS1	DB25		EER1/C7/#1	Ctrl PS1
	380V 3-phase Power				

EER1/C7**PS1 --Diode1 High Current Supply*****Back***

1		Control Interface	DB25	ribbon 25 pin	EER1/C6/#3	Ctrl PS1
2		INPUT 6V diodes PS2		“Grey”	EER1/C6/#1	6V diodes PS1
3		Diode 1		“Grey”	Diode Box - #0b	DIODE 1
4		Status 1	DB25	NC		
5		LDC r1	BNC	NC		
6		ADC 1	DB9	SMBL 4x0,60	Diode Box - #7	
7		LDIc1	BNC	NC		
8	EER PP1 #26	DC Driver IN	BNC	Coax	LAS3-PP 71	Bs-PWR-DC-Corr
9		IN		“Grey”	EER1/C5/#10	SC2/SC3

10		OUT		"Grey"	NC	
		AC Power			LAS1-PDU?	
11	EER PP1 #3	Bs SL I1	UTP 2 BNC		LAS3-PP5	Bs-SL-I1

EER1/C8

PID diode and Crystal temperatures

SN	Panel Label	Conn type	Cable type	Destination	Signal
1	Diode Temp	DB25	ribbon 25 pin	Diode Box - #1	Diode Temp
2	Laser Head	DB25	flat	LB/SL	Temp Sensors
3	RS485/2	DB9	flat	EER1/C3/#1	RS485/3
4	Chiller	DB9	flat	NC	

Back

5		30V TEC PS		"Grey"	EER1/C3/#5	30V TEC PS
6	EER PP1 #27	SL-D3-DC	BNC	Coax	LAS3-PP13 thru Pomona box (LP RC (C=2.2uF, R=480Ω logbook #17574)	Bs-SL-D3-DC
7	EER PP1 #29	SL-D3-DCHF	BNC	Coax	LAS3-PP A14	Bs-SL-D3-DCHF
8		Crystals TEC		"Grey"	LB/SL	CRYSTALS, TEC
9	EER PP1 #39	SL-D4-DC	BNC	Coax	LAS3-PP14 thru Pomona box (LP RC (C=2.2uF, R=480Ω logbook #17574)	Bs-SL-D4-DC
10	EER PP1 #42	SL-D4-DCHF	BNC	Coax	LAS3-PP A15	Bs-SL-D4-DCHF
11		Diode2 TEC		"Grey"	Diode Box - #5	Peltiers Diode2, TEC
12		Diode1 TEC		"Grey"	Diode Box - #2	Peltiers Diode1, TEC

Diode Box

SN	Panel Label	Conn type	Cable Type	Destination	Signal
0a	Diode 2		Grey	EER1/C5/#3	DIODE 2

Back

0b	Diode 1		Grey	EER1/C7/#3	DIODE 1
1	Diode Temp	DB 25	Flat ribbon 25 pin	EER1/C8/#1	Diode Temp
2	Diode 1 TEC Peltiers Diode 1			EER1/C8/#12	Diode 1 TEC
3	Water In			chiller	
4	Water Out			chiller	
5	Diode 2 TEC Peltiers Diode 2			EER1/C8/#11	Diode 2 TEC
6	AC Driver IN	BNC	Coax	EER1/C2/#4	Driver AC
7		DB9	Filotex SMBL 4x0,60	EER1/C6/#2	

EER2 –Digital Rack

EER2/C1

Timing distribution

SN	Panel Label	Conn type	Cable Type	Destination
1	Ch1	RJ-45		
2	Ch2	RJ-45		
3		RJ-45		
4		RJ-45		
5		RJ-45		
6		RJ-45		
7		RJ-45		
8		RJ-45		
9		RJ-45		
10		RJ-45		
11		RJ-45		
12		RJ-45		
13		RJ-45		
14	Ch14	RJ-45		
15	Ch15	RJ-45		C30/Bd7 #89
16	Ch16	RJ-45		

EER2/C2

8 Port Gigabit Ethernet Switch

SN/ Panel Label	Conn type	Cable Type	Destination	Signal
1	RJ-45		3-1	
2	RJ-45		C28/#B	
3	RJ-45		EER2/C30/Bd1/#B	
4	RJ-45		Switch PZT	
5	RJ-45		Laser Lab	
6	RJ-45		Chiller (back)	
7	RJ-45		10/100 Ethernet -> EER1/C3	
8	RJ-45		?	

EER2/C3/D1

Piezo Driver PZT1 (M16)

SN	Panel Label	Conn type	Cable Type	Destination	Signal
1	Servo 1	Lemo3p			
2	Servo 2	Lemo3p			
3	Servo 3	Lemo3p			
4	Sensor Monitor				
5	Power	Lemo1p		Rseries BOX 1.5M ch1	PZT1 ch1
6	Power	Lemo1p		Rseries BOX 1.5M ch2	PZT1 ch2
7	Power	Lemo1p		Rseries BOX 1.5M ch3	PZT1 ch3
8	Control Input	BNC			
9	Control Input	BNC			
10	Control Input	BNC			
11	IEE-488				
12	RS-232	Db9		Serial 1	
13	Digital IN/OUT				

EER2/C3/D2

Piezo Driver PZT3 (M15)

SN	Panel Label	Conn type	Cable Type	Destination	Signal
1	Servo 1	Lemo3p			
2	Servo 2	Lemo3p			
3	Servo 3	Lemo3p			
4	Sensor Monitor				
5	Power	Lemo1p		Rseries BOX 1.5M ch6	PZT3 ch1
6	Power	Lemo1p		Rseries BOX 1.5M ch7	PZT3 ch2
7	Power	Lemo1p		Rseries BOX 1.5M ch8	PZT3 ch3
8	Control Input	BNC			
9	Control Input	BNC			
10	Control Input	BNC			
11	IEE-488				
12	RS-232	Db9		Serial 2	
13	Digital IN/OUT				

EER2/C4/D1

BMS Driver MUh / MUv

SN	Panel Label	Conn type	Cable Type	Destination	Signal
1	Conrol Input	BNC		EER2/PP2 #1	Bs-BMS-MUh
2	Conrol Input	BNC		EER2/PP2 #2	Bs-BMS-MUv
3	Conrol Input	BNC		NC	
4	Pzt	Lemo1/BNC		Rseries BOX 9.1K ch1	Bs-BMS-MUh
5	Pzt	Lemo1/BNC		Rseries BOX 9.1K ch2	Bs-BMS-MUv
6	Pzt	Lemo1/BNC		Rseries BOX 10 K ch2	Bs-BMS-MU

EER2/C4/D2

BMS Driver MDh / MDv

SN	Panel Label	Conn type	Cable Type	Destination	Signal
1	Conrol Input	BNC		EER2/PP2 #3	Bs-BMS-MDh
2	Conrol Input	BNC		EER2/PP2 #4	Bs-BMS-MDv
3	Conrol Input	BNC		NC	
4	Pzt	Lemo1/BNC		Rseries BOX 9.1K ch3	Bs-BMS-MDh
5	Pzt	Lemo1/BNC		Rseries BOX 9.1K ch4	Bs-BMS-MDv
6	Pzt	Lemo1/BNC		Rseries BOX 10 K ch1	Bs-BMS-MD

EER2/C4/D5

NEXUS

SN	Panel Label	Conn type	Cable Type	Destination	Signal
1	RS-232 HOST	Db15f			
2	RS-232 NEXT UNIT	Db15m			
3	Ch4 input	BNC			
4	Ch4 output	BNC		EER2/C30/Bd6/#55	ACLALL01
5	Ch3 input	BNC			
6	Ch3 output	BNC		EER2/C30/Bd6/#56	ACBDCE02
7	Ch2 input	Lemo?		Mic?	
8	Ch2 output	BNC		EER2/C30/Bd6/#57	SEIBLL01
9	Ch1 input	Lemo?		Mic?	
10	Ch1 output	BNC		EER2/C30/Bd6/#58	SEIBLL02

EER2 PP2

SN/ Panel Label	Conn type	Cable Type	From	To	Signal
1	BNC	Coax		EER2/C4/D1/#1	Bs-BMS-MU _h
2	BNC	Coax		EER2/C4/D1/#2	Bs-BMS-MU _v
3	BNC	Coax		EER2/C4/D2/#1	Bs-BMS-MD _h
4	BNC	Coax		EER2/C4/D2/#2	Bs-BMS-MD _v
5	BNC	Coax		EER2/C30/Bd4/#20	
6	BNC	Coax	LB/SL-D2R	EER2/C30/Bd5/#45	BS-SL-D2R-DC
7	BNC	Coax	LB/ML-D	EER2/C30/Bd5/#46	BS-ML-D-DC
8	BNC	Coax	LB/SL-QN	EER2/C30/Bd5/#47	Bs-SL-QN-DCh
9	BNC	Coax	LB/SL-QN	EER2/C30/Bd5/#48	Bs-SL-QN-DC _v
10	Lemo 3P		NC		
11	Lemo 3P		NC		
12	Lemo 3P		NC		
13	BNC	Coax	DAQ/R16/C12/Bd18 out1-OPT/TTL	EER2/C30/Bd3/#9	FAST
14	BNC	Coax	DAQ/R16/C12/Bd19 out1-OPT/TTL	EER2/C30/Bd3/#10	SAMP
15	BNC	Coax	DAQ/R16/C12/Bd20 out1-OPT/TTL	EER2/C30/Bd3/#11	FRAME
16	BNC	Coax	DAQ/R16/C12/Bd21 out1-OPT/TTL	EER2/C30/Bd3/#12	RUN
17	BNC			EER2/C30/Bd4/#25	
18	BNC	Coax	LB/SL-QN	EER2/C30/Bd5/#49	Bs-SL-QN-DC
19	BNC	Coax	LB/SL-QF	EER2/C30/Bd5/#50	Bs-SL-QF-DCh
20	BNC	Coax	LB/SL-QF	EER2/C30/Bd5/#51	Bs-SL-QF-DC _v
21	BNC	Coax	LB/SL-QF	EER2/C30/Bd5/#52	Bs-SL-QF-DC
22	Lemo 3P		NC		
23	Lemo 3P		NC		
24	Lemo 3P		NC		
25	BNC		NC		
26	BNC		NC		
27	BNC	Coax		EER2/C30/Bd6/#8 ???	Bs-PMC-DT-DCHF
28	BNC	Coax	EIB/RFC-QN	EER2/C30/Bd4/#29	Bs-RFC-QN-DC
29	BNC	Coax	EIB/RFC-QF	EER2/C30/Bd4/#30	Bs-RFC-QF-DC
30	BNC	Coax	EIB/IMC-QN	EER2/C30/Bd4/#31	Bs-IMC-QN-DC
31	BNC	Coax	LAS3-PP A20 (DAQ/R17/C39 Bd8 Ch5, Bs-IMC- D1T-DCHF)	EER1/C2/#1	AC-Monit D1T-DCHF
32	BNC	Coax	Ampli IMCTra_6MHz (IB DPS PD, DCHF)	EER1/C2/#2	AC-Input
33	BNC	Coax	T (a) EER1/C5 (#8) (b) LAS3/Buf Ch4 In	EER1/C2/#3	Driver DC
34	Lemo 3P		NC		
35	Lemo 3P		NC		
36	Lemo 3P		NC		
37	BNC		NC		
38	BNC		NC		
39	BNC	Coax		EER2/C30/Bd6/#9 ???	Bs-Ampli-out

40	BNC	Coax	EIB/IMC-QF	EER2/C30/Bd4/#32	Bs-IMC-QF-DC
41	BNC	Coax	EIB/BMS-QN	EER2/C30/Bd4/#33	Bs-BMS-QN-DC
42	BNC	Coax	EIB/BMS-QF	EER2/C30/Bd4/#34	Bs- BMS -QF-DC
43	BNC	Coax	LAS3/Buf Ch5 In	EER1/C2//#4	Driver AC
44	BNC	Coax	LAS3-PP70	EER1/C2//#8	Po-Cr
45	BNC	Coax	LAS3-PP43	EER1/C2//#10	Po-St
46	Lemo 3P	Belden 9501	LAS2/C4/Bd10-#78 -2LO 02	EER2/C30/Bd2-#4 -DAC	B2-3f-DC
47	Lemo 3P	Belden 9501	LAS2/C4/Bd10-#83 -2LO 02	EER2/C30/Bd2-#5 -DAC	
48	Lemo 3P	Belden 9501	LAS2/C4/Bd11-#90 -2LO 03	EER2/C30/Bd2-#7 -DAC	

Crate C30

DAQ channels

	SN	PP	Panel Label	Conn type	Cable Type	Destination	Signal
Bd1 Rio 30A	A		IN 1	Lemo 1P		NC	
	B		ETHERNET	RJ 45		EER2/C2/#3	
	C		AUX	mini DB9		NC	
	D		CONS	mini DB9		NC	
Bd2 820d #58 DAC	1	EER PP1 #10	Ch1	Lemo 3P	Belden 9501	LAS2/C4/Bd4-#28 -LO2	DAC-Lo-D2
	2	EER PP1 #11	Ch2	Lemo 3P	Belden 9501	LAS2/C4/ Bd6-#39 -2/3 LO1	DAC-3f
	3	EER PP1 #12	Ch3	Lemo 3P	Belden 9501	LAS2/C4/ Bd8-#61 -LO12	DAC-Lo-RFC
	4	EER PP2 #46	Ch4	Lemo 3P	Belden 9501	LAS2/C4/Bd10-#78 -2LO 02	B2-3f-DC
	5	EER PP2 #47	Ch5	Lemo 3P	Belden 9501	LAS2/C4/Bd10-#83 -2LO 02	
	6	EER PP1 #22	Ch6	Lemo 3P	Belden 9501	LAS2/C4/Bd6-#41 -2/3 LO1	DAC-B2-2f
	7	EER PP2 #48	Ch7	Lemo 3P	Belden 9501	LAS2/C4/Bd11-#90 -2LO 03	
	8	EER PP1 #23	Ch8	Lemo 3P	Belden 9501	LAS2/C4/Bd1-#8	REARM VB D2 - D'2
	8b			Lemo 1P		NC	Sync
Bd3 TIMING 6	9	EER PP2 #13	FREQ IN	BNC	Coax	DAQ/R16/C12/Bd18 out1-OPT/TTL	FAST
	10	EER PP2 #14	SAMPLING	BNC	Coax	DAQ/R16/C12/Bd19 out1-OPT/TTL	SAMP
	11	EER PP2 #15	FRAME	BNC	Coax	DAQ/R16/C12/Bd20 out1-OPT/TTL	FRAME
	12	EER PP2 #16	RUN	BNC	Coax	DAQ/R16/C12/Bd21 out1-OPT/TTL	RUN
	13		FREQ OUT	BNC	Coax	NC	
	14		OUT 1	BNC	Coax	NC	
	15		OUT 2	BNC	Coax	EER2/C30/Bd4-#36	C30 FREQUENCE ECHANTILLO N / MOD 298B CNL 01
	16		OUT 3	BNC	Coax	NC	

	17		OUT 4	BNC	Coax	NC	
	18		OUT 5	BNC	Coax	EER2/C30/Bd4-#35	C30 CHANGEMEN T DE BANC / MOD 298B CNL 01
Bd4 MOD 298 B CNL 01	19	EER PP1 #44	1	BNC	Coax	To PMC Rampeauto #6	Bs-PMC-Pzt
	20	EER PP2 #5	2	BNC	Coax		
	21	EER PP1 #21	3	BNC	Coax		Bs-PMC-DR-AC
	22	EER PP1 #33	4	BNC	Coax		Bs-PMC-DT-DC
	23	EER PP1 #7	5	BNC	Coax	LAS2/C4/Bd14-#113	+15V
	24	EER PP1 #45	6	BNC	Coax		Bs-PMC-DR-DC
	25	EER PP2 #17	7	BNC	Coax		
	26	EER PP1 #19	8	BNC	Coax	LAS2/C4/Bd14-#114	-15V
	27	EER PP2 #41	9	BNC	Coax	“T” connection	Bs-BMS-QN-DC
	28	EER PP1 #31	10	BNC	Coax	LAS2/C4/Bd14-#116	-5V
	29	EER PP2 #28	11	BNC	Coax	EIB/RFC-QN	Bs-RFC-QN-DC
	30	EER PP2 #29	12	BNC	Coax	EIB/RFC-QF	Bs-RFC-QF-DC
	31	EER PP2 #30	13	BNC	Coax	EIB/IMC-QN	Bs-IMC-QN-DC
	32	EER PP2 #40	14	BNC	Coax	EIB/IMC-QF	Bs-IMC-QF-DC
	33	EER PP2 #41	15	BNC	Coax	EIB/BMS-QN	Bs-BMS-QN-DC
	34	EER PP2 #42	16	BNC	Coax	EIB/BMS-QF	Bs- BMS -QF- DC
	35		CHANGE MENT DE BANC	BNC	Coax	T (a) EER2/C30/Bd3-#15 (b) EER2/C30/Bd5-#53	
	36		FREQUEN CE ECHANTI LLON	BNC	Coax	T (a) EER2/C30/Bd3-#18 (b) EER2/C30/Bd5-#54	
Bd5 MOD 298 B CNL 02	37	EER PP1 #37	1	BNC	Coax	LAS2/C4/Bd1-#7	D2.1.VB
	38	EER PP1 #38	2	BNC	Coax	LAS2/C4/Bd2-#16	D2.2.VB
	39	EER PP1 #40	3	BNC	Coax	LAS2/C4/Bd5-#36	B2-3f-VB
	40	EER PP1 #41	4	BNC	Coax	LAS2/C4/Bd7-#50	RFC-VB
	41		5	BNC	Coax	NC	
	42		6	BNC	Coax	NC	
	43		7	BNC	Coax	NC	
	44		8	BNC	Coax	NC	
	45	EER PP2 #6	9	BNC	Coax	LB/SL-D2R	BS-SL-D2R-DC
	46	EER PP2 #7	10	BNC	Coax	LB/ML-D	BS-ML-D-DC
	47	EER PP2 #8	11	BNC	Coax	LB/SL-QN	Bs-SL-QN-DCh
	48	EER PP2 #9	12	BNC	Coax	LB/SL-QN	Bs-SL-QN-DCv
	49	EER PP2 #18	13	BNC	Coax	LB/SL-QN	Bs-SL-QN-DC
	50	EER PP2 #19	14	BNC	Coax	LB/SL-QF	Bs-SL-QF-DCh
	51	EER PP2 #20	15	BNC	Coax	LB/SL-QF	Bs-SL-QF-DCv
	52	EER PP2 #21	16	BNC	Coax	LB/SL-QF	Bs-SL-QF-DC
	53		CHANGE MENT DE BANC	BNC	Coax	EER2/C30/Bd4-#35	

	54		FREQUEN CE ECHANTI LLON	BNC	Coax	EER2/C30/Bd4-#36	
Bd6 MOD 298 B CNL 11	55		1	BNC	Coax	EER2/C4/D5/ #4	ACLALL01
	56		2	BNC	Coax	EER2/C4/D5/ #6	ACBDCE02
	57		3	BNC	Coax	EER2/C4/D5/ #8	SEIBLL01
	58		4	BNC	Coax	EER2/C4/D5/ #10	SEIBLL02
	59		5	BNC	Coax	NC	
	60		6	BNC	Coax	NC	
	61		7	BNC	Coax	NC	
	62	EER PP2 #27	8	BNC	Coax		BS-PMC-DT- DCHF
	63	EER PP2 #32	9	BNC	Coax		Bs-Ampli-out
	64	Sniffer	10	BNC	Coax		E02-Pwr
	65		11	BNC	Coax	NC	
	66		12	BNC	Coax	NC	
	67		13	BNC	Coax	NC	
	68		14	BNC	Coax	NC	
	69		15	BNC	Coax	NC	
70		16	BNC	Coax	NC		
71		CHANGE MENT DE BANC	BNC	Coax	EER2/C30/Bd5-#53		
72		FREQUEN CE ECHANTI LLON	BNC	Coax	EER2/C30/Bd5-#54		
Bd7 ADC7674 15	73		0			NC	
	74		1			NC	
	75		2			NC	
	76		3			NC	
	77		4			NC	
	78		5			NC	
	79		6			NC	
	80		7			NC	
	81		8			NC	
	82		9			NC	
	83		10			NC	
	84		11			NC	
	85		12			NC	
	86		13			NC	
	87		14			NC	
88		15			NC		
89		TIME				EER2/C1 CH15	
90		TX				2008-168-B BLUE	
91		RX				2008-168-B RED	

EER2 PP1

SN/ Panel Label	Conn type	Cable Type	From	To	Signal
1	BNC		NC		
2	BNC		NC		
3	BNC	Coax	LAS3-PP5	EER1/C7/#11	Bs-SL-I1
4	BNC		NC		
5	BNC		NC		
6	BNC		NC		
7	BNC	Coax	LAS2/C4/Bd14-#113		+15V
8	BNC	Coax	NC		
9	BNC	Coax	NC		
10	Lemo 3P	Belden 9501	LAS2/C4Bd4/#28 -LO2	EER2/C30/Bd2/#1	DAC-Lo-D2
11	Lemo 3P	Belden 9501	LAS2/C4//Bd6/#39 -2/3 LO1	EER2/C30/Bd2/#2	DAC-3f
12	Lemo 3P	Belden 9501	LAS2/C4/Bd8/#61 -LO12	EER2/C30/Bd2/#3	DAC-Lo-RFC
13	BNC	Coax	NC		
14	BNC	Coax	NC		
15	BNC	Coax	LAS3-PP6	EER1/C5/#11	Bs-SL-I2
16	BNC	Coax	NC		
17	BNC	Coax	NC		
18	BNC	Coax	NC		
19	BNC	Coax	LAS2/C4/Bd14-#114		-15V
20	BNC	Coax	NC		
21	BNC	Coax		EER2/C30/Bd4/#21	BS-PMC-DR-AC
22	Lemo 3P	Belden 9501	LAS2/C4/Bd6-#41 -2/3 LO1	EER2/C30/Bd2/#6	DAC-B2-2f
23	Lemo 3P	Belden 9501	LAS2/C4/Bd1-#8	EER2/C30/Bd2/#8	REARM VB D2 – D'2
24	Lemo 3P		NC		
25	BNC		NC		
26	BNC		LAS3-PP 71	EER1/C7/#8	Bs-PWR-DC-Corr
27	BNC		LAS3/PP3/#9	EER1/C8/#6	Bs-SL-D3-DC
28	BNC		NC		
29	BNC		LAS3/PP1/#14	EER1/C8/#7	Bs-SL-D3-DCHF
30	BNC		NC		
31	BNC	Coax	LAS2/C4/Bd14-#116		-5V
32	BNC		NC		
33	BNC	Coax		EER2/C30/Bd4/#22	BS-PMC-DT-DC
34	Lemo 3P		NC		
35	Lemo 3P			EER2/C28 #29	2009-1m-EGO-039
36	Lemo 3P		NC		
37	BNC	Coax	LAS2/C4/Bd1-#7	EER2/C30/Bd5/#37	D2.1.VB
38	BNC	Coax	LAS2/C4/Bd2-#16	EER2/C30/Bd5/#38	D2.2.VB
39	BNC		LAS3/PP3/#10	EER1/C8/#9	Bs-SL-D4-DC
40	BNC	Coax	LAS2/C4/Bd5-#36	EER2/C30/Bd5/#39	B2-3f-VB
41	BNC	Coax	LAS2/C4/Bd7-#50	EER2/C30/Bd5/#40	RFC-VB
42	BNC		LAS3/PP1/#15	EER1/C8/#10	Bs-SL-D4-DCHF
43	BNC	Coax	LAS2/C4/Bd9/#63	EER1/C2//#9	IMC-D1T-6M
44	BNC	Coax	To PMC Rampeauto #6	(NC EE room)	Bs-PMC-Pzt
45	BNC	Coax		EER2/C30/Bd4/#24	BS-PMC-DR-DC
46	Lemo 3P		NC		
47	Lemo 3P			EER2/C28 #30	2009-1m-EGO-019
48	Lemo 3P		NC		

C28

Photodiode Readout

	SN	PP	Panel Label	Conn type	Cable Type	Destination	Signal
Bd1 ADC7674 25	1	EER2-PP0-1	0	Lemo 3P			2009-1m-EGO-010
	2	EER2-PP0-17	1	Lemo 3P			2009-1m-EGO-011
	3	EER2-PP0-2	2	Lemo 3P			2009-1m-EGO-012
	4	EER2-PP0-18	3	Lemo 3P			2009-1m-EGO-013
	5	EER2-PP0-3	4	Lemo 3P			2009-1m-EGO-014
	6	EER2-PP0-19	5	Lemo 3P			2009-1m-EGO-015
	7	EER2-PP0-4	6	Lemo 3P			2009-1m-EGO-016
	8	EER2-PP0-20	7	Lemo 3P			2009-1m-EGO-017
	9	EER2-PP0-5	8	Lemo 3P			2009-1m-EGO-018
	10		9	Lemo 3P		NC	
	11		10	Lemo 3P		NC	
	12		11	Lemo 3P		NC	
	13		12	Lemo 3P		NC	
	14		13	Lemo 3P		NC	
	15		14	Lemo 3P		NC	
	16		15	Lemo 3P		NC	
	17		TIME	RJ 45		EER2/C1 CH2	
	18		TX	Fiber		2008-158-A BLUE	
	19		RX	Fiber		2008-158-A RED	
Bd2 ADC7674 26	20	EER2-PP0-9	0	Lemo 3P			2009-1m-EGO-030
	21	EER2-PP0-25	1	Lemo 3P			2009-1m-EGO-031
	22	EER2-PP0-10	2	Lemo 3P			2009-1m-EGO-032
	23	EER2-PP0-26	3	Lemo 3P			2009-1m-EGO-033
	24	EER2-PP0-11	4	Lemo 3P			2009-1m-EGO-034
	25	EER2-PP0-27	5	Lemo 3P			2009-1m-EGO-035
	26	EER2-PP0-12	6	Lemo 3P			2009-1m-EGO-036
	27	EER2-PP0-28	7	Lemo 3P			2009-1m-EGO-037
	28	EER2-PP0-13	8	Lemo 3P			2009-1m-EGO-038
	29	EER2-PP1-35	9	Lemo 3P			2009-1m-EGO-039
	30	EER2-PP1-47	10	Lemo 3P			2009-1m-EGO-019
	31		11	Lemo 3P		NC	
	32		12	Lemo 3P		NC	
	33		13	Lemo 3P		NC	
	34		14	Lemo 3P		NC	
	35		15	Lemo 3P		NC	
	36		TIME	RJ 45		EER2/C1 CH14	
	37		TX	Fiber		2008-159-A BLUE	
	38		RX	Fiber		2008-159-A RED	

EER3/C1

Power Supply for C28 ?

Back

LAS1 -- ISYS Servo Rack

LAS1/C1

RF Synthesizer

SN	Panel Label	Conn type	Cable Type	Destination	Signal
1	RS 232	DB9			**NULL MODEM**
2	Ext Ref	SMA		NC	
3	Trig IN	SMA		NC	
4	Out 1	SMA	coax	LAS1/C2-#4	
5	Aux 1	SMA		NC	

LAS1/C2

RF Distribution Crate

SN	Panel Label	Conn type	Cable Type	Destination	Signal
1	8.35 MHz OUT +12	BNC	coax	LAS2/C4-#84	EO3-8Mhz-in-(2)
2	8.35 MHz OUT +1	BNC	coax		8MHz-2-LAS2
3	6.26 MHz IN +1	BNC	coax	Thru 3db Att to LAS1/C6	6MHz-out
4	50.8 MHz IN +15	BNC	coax	To LAS1/C1-#4	

LAS1/C3

Mode Cleaner Rampeauto

SN	Panel Label	Conn type	Cable Type	Destination	Signal
1	Bs-IMC-DR-AC1	BNC	Coax	T (a) LAS1 Scope A Ch1 (b) LAS3-PP A21	Bs-IMC-DR-AC1
2	Perturbation	Lemo 3P	Belden 9501	LAS3-PP65	Perturb
3	SSFS-Corr	Lemo 3P	Belden 9501	DET Lab, DET2/Cx (#y) (SSFS Crate)	Bs- SSFS-Corr
4	ML-Pzt	BNC	Coax	ML, see pag 13 of mephisto manual	BS-ML-Pzt (on ML end)
5	IMC-DR-AC(2)	BNC	Coax	EIB Thru 21dB Att	Bs-IMC-DR-AC
6	IMC-DR-AC2	BNC	Coax	LAS3-PPA22	IMC-DR-AC2
7	Bs-SSFS-Trig	BNC	Coax	LAS3-PP34	Bs-SSFS-Trig
8	Ref-IMC	BNC	Coax	NC	
9	Eo-Monit	BNC		NC	
10		Lemo 3P		NC	
11	EO1-Corr(1)	BNC	Coax	LAS1/C6-#9	EO1-Corr(1)
12	ML-Pzt-Monit Bs-ML-Pz	BNC	Coax	LAS3-Buf Ch15 In Out1A goes to LAS3-Buff - Ch15 In Out1D goes to LAS3-PPA1	ML-Pz piezo 20%
13	Unlock-Monit	BNC		NC	
14	SSFS-Corr-Monit Bs-SSFS-Corr	BNC	Coax	LAS3-PP21	Bs-SSFS-Corr
15	Analog-IN	BNC		NC	
16	ML-Th-Ctrl	BNC		NC	
17	IMC-Tra	BNC	Coax	T (a) LAS1 Scope A Ext Trig thru Pomona Box (In, 2%	Sc-IB-TraMC

				OUT) (b) LAS3-Buf Ch11 OutA	
18	IMC-Fr-Cr	BNC		LAS3-PP68	IMC-Fr-Cr
19	IMC-Fr-St	BNC	Coax	NC	

Back

20			'Grey'	To LAS1/C9-# 1	
----	--	--	--------	----------------	--

LAS1/C4

PreMode Cleaner Rampeauto

SN	PP	Panel Label	Conn type	Cable Type	Destination	Signal
1	LAS PP1 #21	Bs-PMC-DR-AC	BNC		C30...	Bs-PMC-DR-AC
2		Perturb inp	BNC	Coax	Terminal 50 Ohm	
3		PM-DR-AC	BNC	Coax	Thru 6db att to PMC-DR (Laser Bench)	PMC-DR-AC
4		PMC-Pzt	BNC	Coax	To laser bench (PZT)	PMC-Pzt
5		Ref-PMC	BNC	Coax	LAS1/C7-#3	BS-SL-Q-Ref
6	LAS PP1 #44	Bs-PMC-Pzt	BNC	Coax	To EER2/C30 #19	Bs-PMC-Pzt
7			BNC		NC	
8			BNC		NC	
9			BNC	Coax	To LAS3-BUFF #27	Bs-PMC-DT-DC

LAS1/C5

Injection Rampeauto (Injection locking)

SN	Panel Label	Conn type	Cable Type	Destination	Signal
1	Bs-SL-DR-AC	BNC	Coax	T (a) LAS1 40 dB Amp BOX Ch1 IN thru 10uF/100V cap Ch1 OUT: T (a2) LAS3-PPA8 (b2) LAS1 Scope A Ch2 (b) NC	Bs-SL-DR-AC
2	Perturbation	BNC	Coax	BNC Short	
3	SL-DR-AC	BNC	Coax	LB/D1R/#3 thru 16 dB Att	Bs- SL-DR1-AC
4	SL-PztS	BNC	Coax	T: (a) SL on LB, see pag 13 of Slave User Manual (b) NC	Bs- SL-PztS
5	Ref-Inj	BNC	Coax	LAS1/C7/#2	Ref-Inj
6	SL-PztF-Monit Bs-SL-PzF	BNC	Coax	LAS1 Amplifier BOX Ch2 IN Ch2 OUT Buf Ch14 In (Buf Ch14 OutD to PPA10)	Bs-SL-PzF
7	SL-PztF	BNC	Coax	SL on LB, see pag 13 of Slave User Manual	BS-SL-PzF
8	SL-PztS-Monit Bs-SL-PzS	BNC	Coax	LAS3-Buf Ch13 In (Buf Ch13 OutD to PPA9)	Bs-SL-PzS
9	Analog-IN	BNC	Coax	NC	
10	SL-Th-Ctrl	BNC	Coax	NC	
11	SL-Tra	BNC	Coax	LAS3-Buf Ch1 OutB (Buf Ch1 OutA to PP1)	Bs-SL-DT-DC (DBW1 BVF1-2)
12	SL-Inj-Cr	BNC	Coax	NC	
13	SL-Inj-St	BNC	Coax	NC	

Back

	POWER				
--	-------	--	--	--	--

LAS1/C6

qztsynth (w/ 22 MHz xtal) + ...

1	EO2-Ref-22-Out	BNC	Coax	to LAS1/C7 #8	EO2-Ref-22-Out
2	Bs-MOD-EO22	BNC	Coax	NC	BS-MOD-E0-M22
3	EO2-Ref-6-Out	BNC	Coax	(16db inside) 'LO Generateur' DAQ/R18/C8/Bd1-#	
4	Bs-MOD-E06	BNC	Coax	LAS2/C4-#109 - To DAQ thru LAS3-PP2	Bs-MOD-E0-M6
5	EO2-Monit	BNC	Coax	LB/EO2-#2	EO2-Monit
6	IMC-DR-AC(1)	BNC	Coax	NC	
7	IMC-DR-AC(2)	BNC	Coax	NC	
8	SYNTHE-6Mhz-IN	BNC	Coax	RF Dist box #3	
9	EO1-Corr(1)	BNC	Coax	LAS1/C3-#11	EO1-Corr(1)

Back

10	EO2-Pwr	BNC	Coax	LAS4/C2-#1	
11					
12	EO1-Corr(2)			LB/EO Driver/#2	Bs-EO1-Corr
13	EO1-CorrMonit			T-BNC (a) LAS3-PP75 (b) LAS1 Scope B ch2	Bs-SL-DT-DCHF
14	POWER A			LAS1/C8-#1	
15	POWER B			LAS1/C9-#5	

LAS1/C7

14 MHz xtal - dephaser crate

SN	Panel Label	Conn type	Cable Type	Destination	Signal
1	EO1-Ref-In	BNC	Coax	LB/EO1-#1	Bs-EO1-Monit
2	Ref-Inj	BNC	Coax	LAS1/C5-#5	Ref-Inj
3	Ref-SL-Q	BNC	Coax	LB/SL-Qx-#3) QPDs thru a T that splits it among QN and QF	BS-SL-Q-Ref
4	Ref-PMC-Q	BNC	Coax	NC	No signal yet
5	Ref-IMC	BNC	Coax	LAS1/C3-#8 (now NC)	Ref Prestab
6	Ref-IMC-Q	BNC	Coax	LB/IMC-Qx-#3 QPDs thru a T that splits it among QN and QF	Bs-IMC-Ref
7	Ref-IMC-Spare	BNC	Coax	NC	
8	EO2-Ref-22 In	BNC	Coax	LAS1/C6-#1	EO2-Ref-22-Out

Back

9	Bs-Mod EO14	BNC	Coax	LAS3-PP3	Bs-Mod-EO-M14
10	EO1-Pwr	BNC	Coax	LB/EO1-#2 thru 6 dB Att	Bs-EO1-Pwr
11	POWER			LAS1/C9-#4	

LAS1/C8

Power Supply1

1				LAS1/C6-#15	
2				LAS1/C4-#20	

LAS1/C9

Power Supply2

1				LAS1/C3-#20	
2				NC	
3				NC	
4				LAS1/C7/#11	

Back

5				LAS1/C6-#14	
---	--	--	--	-------------	--

LAS2 – LAPP’s LaDiode Rack

LAS2 PP2

SN/ Panel Label	Conn type	Cable Type	From	To	Signal
1	BNC				
2	BNC				
3	BNC				
4	BNC				
5	BNC				
6	BNC	Coax	EER2/C30/Bd5/#45	LB/SL-D2R	BS-SL-D2R-DC
7	BNC	Coax	EER2/C30/Bd5/#46	LB/ML-D	BS-ML-D-DC
8	BNC	Coax	EER2/C30/Bd5/#47	LB/SL-QN	Bs-SL-QN-DCh
9	BNC	Coax	EER2/C30/Bd5/#48	LB/SL-QN	Bs-SL-QN-DCv
10	Lemo 3P				
11	Lemo 3P				
12	Lemo 3P				
13	BNC	Coax	EER2/C30/Bd3/#9	DAQ/R16/C12/Bd18 out1-OPT/TTL	FAST
14	BNC	Coax	EER2/C30/Bd3/#10	DAQ/R16/C12/Bd19 out1-OPT/TTL	SAMP
15	BNC	Coax	EER2/C30/Bd3/#11	DAQ/R16/C12/Bd20 out1-OPT/TTL	FRAME
16	BNC	Coax	EER2/C30/Bd3/#12	DAQ/R16/C12/Bd21 out1-OPT/TTL	RUN
17	BNC				
18	BNC	Coax	EER2/C30/Bd5/#49	LB/SL-QN	Bs-SL-QN-DC
19	BNC	Coax	EER2/C30/Bd5/#50	LB/SL-QF	Bs-SL-QF-DCh
20	BNC	Coax	EER2/C30/Bd5/#51	LB/SL-QF	Bs-SL-QF-DCv
21	BNC	Coax	EER2/C30/Bd5/#52	LB/SL-QF	Bs-SL-QF-DC
22	Lemo 3P				
23	Lemo 3P				
24	Lemo 3P				
25	BNC	Coax	EER2/C28/Bd5/#7	DAQ/R16/C12/Bd13 out1-OPT/TTL	TIM FREQ M
26	BNC	Coax	EER2/C28/Bd5/#8	DAQ/R16/C12/Bd14 out1-OPT/TTL	TIM

					SAMPLING N
27	BNC				
28	BNC	Coax	EER2/C30/Bd4/#29	EIB/RFC-QN	Bs-RFC-QN-DC
29	BNC	Coax	EER2/C30/Bd4/#30	EIB/RFC-QF	Bs-RFC-QF-DC
30	BNC	Coax	EER2/C30/Bd4/#31	EIB/IMC-QN	Bs-IMC-QN-DC
31	BNC	Coax	EER1/C2/#1	LAS3-PP A20 (DAQ/R17/C39 Bd8 Ch5, Bs-IMC-D1T-DCHF)	AC-Monit D1T-DCHF
32	BNC	Coax	EER1/C2/#2	Ampli IMCTra 6MHz (IB DPS PD, DCHF)	AC-Input
33	BNC	Coax	EER1/C2/#3	T (a) EER1/C5 (#8) (b) LAS3/Buf Ch4 In	Driver DC
34	Lemo 3P				
35	Lemo 3P				
36	Lemo 3P				
37	BNC	Coax	EER2/C28/Bd5/#9	DAQ/R16/C12/Bd15 out1-OPT/TTL	TIM FRAME 0
38	BNC	Coax	EER2/C28/Bd5/#10	DAQ/R16/C12/Bd16 out1-OPT/TTL	RUN X
39	BNC				
40	BNC	Coax	EER2/C30/Bd4/#32	EIB/IMC-QF	Bs-IMC-QF-DC
41	BNC	Coax	EER2/C30/Bd4/#33	EIB/BMS-QN	Bs-BMS-QN-DC
42	BNC	Coax	EER2/C30/Bd4/#34	EIB/BMS-QF	Bs- BMS -QF-DC
43	BNC	Coax	EER1/C2/#4	Thru Pomona Box (Att 350-50) LAS3/Buf Ch5 In	Driver AC
44	BNC	Coax	EER1/C2/#8	LAS3-PP70	Po-Cr
45	BNC	Coax	EER1/C2/#10	LAS3-PP43	Po-St
46	Lemo 3P	Belden 9501	EER2/C30/Bd2-#4 -DAC	LAS2/C4/Bd10-#78 -2LO 02	B2-3f-DC
47	Lemo 3P	Belden 9501	EER2/C30/Bd2-#5 -DAC	LAS2/C4/Bd10-#83 -2LO 02	

LAS2/C2

Power Supply for LAS2/C4

Back

LAS2 PPI

SN/ Panel Label	Conn type	Cable Type	From	To	Signal
1	BNC	Coax	EER2/C28/Bd7/#23	LAS2/C4/Bd1-#2	D2-Ph-1 (red cap)
2	BNC	Coax	EER2/C28/Bd6/#18	LAS2/C4/Bd2-#11	D2-Ph-2 (red cap)
3	BNC				
4	BNC	Coax	EER2/C28/Bd7/#25	LAS2/C4/Bd5-#31	D2-3f-Ph (red cap)
5	BNC	Coax	EER2/C28/Bd7/#26	LAS2/C4/Bd7-#45	RFC-Ph (red cap)
6	BNC	Coax	EER2/C28/Bd10/#43	LAS2/AABox Ch1 Out	RF-TRA-DC
7	BNC	Coax		LAS2/C4/Bd14-#113	+15V
8	BNC	Coax	EER2/C28/Bd11/#47	LAS2/C4/Bd9-#64	Fmod-Acp (red cap)
9	BNC	Coax			
10	Lemo	Belden	EER2/C30/Bd2/#1	LAS2/C4Bd4/#28 -LO2	DAC-Lo-D2

	3P	9501			
11	Lemo 3P	Belden 9501	EER2/C30/Bd2/#2	LAS2/C4/Bd6/#39 -2/3 LO1	DAC-3f
12	Lemo 3P	Belden 9501	EER2/C30/Bd2/#3	LAS2/C4/Bd8/#61 -LO12	DAC-Lo-RFC
13	BNC	Coax	EER2/C28/Bd9/#35	LAS2/C4/Bd1/#4	D2-Qu-1 (blue cap)
14	BNC	Coax	EER2/C28/Bd7/#24	LAS2/C4/Bd2/#13 (thru Pomona att)	D2-Qu-2 (blue cap)
15	BNC				
16	BNC	Coax	EER2/C28/Bd11/#50	LAS2/C4/Bd5-#33	D2-3f-Q (blue cap)
17	BNC	Coax	EER2/C28/Bd9/#37	LAS2/C4/Bd7-#47	RFC-Q
18	BNC	Coax	EER2/C28/Bd9/#38	LAS2/AABox Ch2 Out	RFC-Acp
19	BNC	Coax		LAS2/C4/Bd14-#114	-15V
20	BNC	Coax	EER2/C28/Bd10/#44	LAS2/C4/Bd13-#108	RFC-DC (green cap)
21	BNC	Coax	LAS1/C4 (PMC Rampeauto) #1	C30...	Bs-PMC-DR-AC
22	Lemo 3P	Belden 9501	EER2/C30/Bd2/#6	LAS2/C4/Bd6-#41 -2/3 LO1	DAC-B2-2f
23	Lemo 3P	Belden 9501	EER2/C30/Bd2/#8	LAS2/C4/Bd1-#8	REARM VB D2 – D'2
24	Lemo 3P				
25	BNC	Coax	EER2/C28/Bd10/#41	LAS2/C4/Bd1-#6	D2-DC-1 (green cap)
26	BNC				
27	BNC				
28	BNC	Coax	EER2/C28/Bd11/#48	LAS2/C4/Bd5-#35	D2-3f-DC (green cap)
29	BNC				
30	BNC	Coax	EER2/C28/Bd6/#17	LAS2/AABox Ch4 Out	Bs-BMS-QF-DCv
31	BNC	Coax		LAS2/C4/Bd14-#116	-5V
32	BNC	Coax	EER2/C28/Bd10/#42	LAS2/C4/Bd13-#112	D2-DC-2 (green cap)
33	BNC	Coax	LAS3/C4/#28 (buffer)	C30...	Bs-PMC-DT-DC
34	Lemo 3P				
35	Lemo 3P				
36	Lemo 3P				
37	BNC	Coax	EER2/C30/Bd5/#37	LAS2/C4/Bd1-#7	D2.1.VB
38	BNC	Coax	EER2/C30/Bd5/#38	LAS2/C4/Bd2-#16	D2.2.VB
39	BNC				
40	BNC	Coax	EER2/C30/Bd5/#39	LAS2/C4/Bd5-#36	B2-3f-VB
41	BNC	Coax	EER2/C30/Bd5/#40	LAS2/C4/Bd7-#50	RFC-VB
42	BNC				
43	BNC	Coax	EER1/C2//#9	LAS2/C4/Bd9/#63	IMC-D1T-6M
44	BNC	Coax	LAS1/C4 (PMC Rampeauto) #6	C30...	Bs-PMC-Pzt
45	BNC	Coax	Laser bench	C30...	Bs-PMC-DR-DC
46	Lemo 3P				
47	Lemo 3P				
48	Lemo 3P				

LAS2/C4

Demod Board

	SN	PP	Panel Label	Conn type	Cable Type	Destination	Signal
D2-1	1		IN RF	BNC	Coax		D2-1-RF

	2	LAS PP1 #1	OUT 0	BNC	Coax	EER2/C28/Bd7-#23 -- MOD264 A4V-06	D2-Ph-1 (red cap)
	3		IN LO	BNC	Coax	LAS2/C4-#88	D2-Lo-1
	4	LAS PP1 #13	OUT 90	BNC	Coax	EER2/C28/Bd9-#35 -- MOD264 A4V-04	D2-Qu-1 (blue cap)
	5		OUT M	BNC	Coax	NC	
	6	LAS PP1 #25	OUT ADC	BNC	Coax	EER2/C28/Bd10-#41 -- MOD264 B4V-02	D2-DC-1 (green cap)
	7	LAS PP1 #37	Monitor	BNC	Coax		D2-1-VB
	8		Rearm TTL	BNC	Coax	T BNC (a) LAS2/C4/Bd2-#17 (b) EER2/C30/Bd2-#8	Rearm TTL Rearm VB D2-D'2
	9		Power	DB9			
	Bd2 DET DIODES #7	10		IN RF	BNC	Coax	
11		LAS PP1 #2	OUT 0	BNC	Coax	EER2/C28/Bd-#18 -- MOD264 A4V-12	D2-Ph-2
12			IN LO	BNC	Coax	LAS2/C4/Bd4-#22 --LO2	D2-Lo-2
13		LAS PP1 #14	OUT 90	BNC	Coax	EER2/C28/Bd7-#24 -- MOD264 A4V-06	D2-Qu-2 (blue cap)
14			OUT M	BNC	Coax	NC	NO LABEL
15			OUT ADC	BNC	Coax	EER2/C28/Bd10-#42 -- MOD264 B4V-02	D2-DC-2
16		LAS PP1 #38	Monitor	BNC	Coax		D2-2-VB
17			Rearm TTL	BNC	Coax	T BNC (a) LAS2/C4/Bd5 #37 (b) LAS2/C4/Bd1 #8	
18			Power	DB9			
Bd3 DAC #0 NC							
Bd4 LO 2	20		1			NC	
	21		2			NC	
	22		3			LAS2/C4/Bd2-#12 -- Det Diode	D2-Lo-2
	23		4			NC	
	24		5			NC	
	25		6			NC	
	26		7			NC	
	27		8			NC	
	28	LAS PP1 #10	IN V			EER2/C30/Bd2-#1 -DAC	DAC-LO-D2
29		IN LO				LC-B2	
Bd5 DET DIODES #33 (3Ω)	30		IN RF	BNC	Coax		D2-3Ω-RF
	31	LAS PP1 #4	OUT 0	BNC	Coax	EER2/C28/Bd7-#25 -- MOD264 A4V-06	D2-3Ω-Ph (red cap)
	32		IN LO	BNC	Coax	LAS2/C4/Bd6-#40 --2/3 LO1	D2-3Ω-Lo
	33	LAS PP1 #16	OUT 90	BNC	Coax	EER2/C28/Bd11-#50 -- MOD264 A4V-05	D2-3Ω-Q (blue cap)
	34		OUT M	BNC	Coax	NC	
	35	LAS PP1 #28	OUT ADC	BNC	Coax	EER2/C28/Bd11-#48 -- MOD264 A4V-05	B2-3f-DC (green cap)
	36	LAS PP1 #40	Monitor	BNC	Coax	EER2/C30/Bd5-#39 --MOD 298 B CNL 02	B2-3f-Vb
	37		Rearm TTL	BNC	Coax	T BNC (a) LAS2/C4/Bd7 #51 (b) LAS2/C4/Bd2 #17	
	38		Power	DB9			D2-3Ω
Bd6 2/3 LO 1	39	LAS PP1 #11	DAC 3 LO			EER2/C30/Bd2-#2 -DAC	DAC-3Ω
	40		3 LO OUT			LAS2/C4/Bd5-#32	D2-3Ω-Lo
	41	LAS PP1 #22	DAC 2 LO			EER2/C30/Bd2-#6 -DAC	DAC-B2-2f
	42		2 LO OUT			LAS2/C4/Bd12-#98	LO-8

	43		LO IN				LO-B2-3f
Bd7 DET DIODES #25	44		IN RF	BNC	Coax		RFC
	45	LAS PP1 #5	OUT 0	BNC	Coax	EER2/C28/Bd7-#26 – MOD264 A4V-06	RFC-Ph (red cap)
	46		IN LO	BNC	Coax	LAS2/C4/Bd8-#53 --LO 12 OUT	RFC-LO
	47	LAS PP1 #17	OUT 90	BNC	Coax	EIB/RFC/Q?	RFC-Q?
	48		OUT M	BNC	Coax	LAS2/AA Box ch2 IN	RFC-D2-ACp
	49		OUT ADC	BNC	Coax		B2-D1-DC
	50	LAS PP1 #41	Monitor	BNC	Coax		RFC-Vb
	51		Rearm TTL	BNC	Coax	LAS2/C4/Bd2 #37	
	52		Power	DB9			RFC-RF
Bd8 LO 12 OUT	53		1			LAS2/C4/Bd7-#46	RFC-LO
	54		2			NC	
	55		3			NC	
	56		4			NC	
	57		5			NC	
	58		6			NC	
	59		7			NC	
	60		8			NC	
	61	LAS PP1 #12	IN V			EER2/C30/Bd2-#3 --DAC	DAC-LO-RFC
	62		IN LO			DAQ/R18/C8/Bd1-#	LO-RFC
Bd9 DET DIODES #28	63	LAS PP1 #43	IN RF	BNC	Coax	To EER1/C2-#9	IMC-D1T-6M
	64	LAS PP1 #8	OUT 0	BNC	Coax	EER2/C28/Bd11-#47 -- MOD264 A4V-05	Fmod-Acp
	65		IN LO	BNC	Coax	LAS2/C4/Bd10-#74 -- 2 LO 02	Fmod-Lo
	66		OUT 90	BNC	Coax	NC	Fmod-Acq
	67		OUT M	BNC		NC	
	68		OUT ADC	BNC		NC	
	69		Monitor	BNC		NC	
	70		Rearm TTL	BNC		NC	
	71		Power	DB9		NC	
Bd10 2 LO 02	72		LO IN	BNC	Coax	EIB	Lo-Fmod
	73		LO OUT	BNC	Coax	NC	
	74		1 (LO1)	BNC	Coax	LAS2/C4/Bd9-#65 – Det Diode	Fmod-Lo
	75		2 (LO1)	BNC	Coax	NC	
	76		3 (LO1)	BNC	Coax	NC	
	77		4 (LO1)	BNC	Coax	NC	
	78	LAS PP2 #46	DAC1 IN	BNC	Coax	EER2/C30/Bd2-#4 –DAC	
	79		1 (LO2)	BNC	Coax	EIB	RFC-Ret
	80		2 (LO2)	BNC	Coax	NC	
	81		3 (LO2)	BNC	Coax	NC	
	82		4 (LO2)	BNC	Coax	NC	
	83	LAS PP2 #47	DAC2 IN	BNC	Coax	EER2/C30/Bd2-#5 –DAC	
Bd11 2 LO 03	84		LO IN	BNC	Coax	LAS1/C2-#1	8.35 MHz OUT
	85		LO OUT	BNC	Coax	DAQ/R13/C4/Bd10-#6 (EO3 8.35 MHz 0dbm LO)	
	86		1 (LO1)	BNC	Coax	NC	
	87		2 (LO1)	BNC	Coax	NC	
	88		3 (LO1)	BNC	Coax	LAS2/C4/Bd1-#3 – Det Diode	D2-LO-1
	89		4 (LO1)	BNC	Coax	NC	
	90	LAS PP2 #48	DAC1 IN	BNC	Coax	EER2/C30/Bd2-#7 –DAC	
	91		1 (LO2)	BNC	Coax	NC	
	92		2 (LO2)	BNC	Coax	NC	
	93		4 (LO2)	BNC	Coax	NC	
	94		3 (LO2)	BNC	Coax	NC	

	95		DAC2 IN	BNC	Coax	NC	
Bd12 DET DIODES #10	96		IN RF	BNC	Coax	??	Thru 20 dB Att D2-2Ω-RF
	97		OUT 0	BNC	Coax	LAS2/C4/Bd12-#99	B2-2f-ACp
	98		IN LO	BNC	Coax	LAS2/C4/Bd6-#42	LO-8
	99		OUT 90	BNC	Coax	LAS2/C4/Bd12-#97	B2-2f-ACp
	100		OUT M	BNC		NC	
	101		OUT ADC	BNC		NC	
	102		Monitor	BNC		NC	
	103		Rearm TTL	BNC		NC	
	104		Power	DB9		NC	
	Bd13 COMP #28	105		IN 1cm	BNC		
106			IN 1 diff	Lemo 3P		NC	
107			DAC 1	BNC		NC	
108		LAS PP1 #20	OUT 1	BNC		EER2/C28/Bd10-#44 -- MOD264 B4V-02	RFC-DC (green cap)
109			IN 2cm	BNC		LAS1/C6-#4	BS-MOD-E06
110			IN 2 diff	Lemo 3P		NC	
111			DAC 2	BNC		NC	
112		LAS PP1 #32	OUT 2	BNC		EER2/C28/Bd10-#42 -- MOD264 B4V-02	D2-DC-2 (green cap)
Bd14 ALIMS	113	LAS PP1 #7	+ 15 V	BNC		EER2/C30/Bd4-#23 - MOD 298 B CNL 01	NO LABEL
	114	LAS PP1 #19	- 15 V	BNC		EER2/C30/Bd4-#26 - MOD 298 B CNL 01	NO LABEL
	115		+ 5 V	BNC		EIB??	D1-Qu-13
	116	LAS PP1 #31	- 5 V	BNC		EER2/C30/Bd4-#28 -- MOD 298 B CNL 01	D1-Ph-13 (red cap)

ANTIALIAS BOX

SN	PP	Panel Label	Conn type	Cable Type	Destination	Signal
1		CH1 IN	BNC	Coax	LAS3/Buf Ch21 OutC (#104)	RF-TRA-DC
2		CH1 IN 2	Lemo 3P		NC	
3	LAS PP1 #6	CH1 OUT	BNC	Coax	EER2/C28/Bd10-#43	RF-TRA-DC
4		CH2 IN	BNC	Coax	LAS2/C4/Bd7-#48 --Det DIODES#25	RFC-D2-ACp
5		CH2 IN 2	Lemo 3P		NC	
6	LAS PP1 #18	CH2 OUT	BNC	Coax	EER2/C28/Bd9-#38 --	RFC-ACp
7		CH3 IN	BNC	Coax	NC	
8		CH3 IN 2	Lemo 3P		NC	
9		CH3 OUT	BNC	Coax	NC	
10		CH4 IN	BNC	Coax	LAS3-PP 52	Bs-BMS-QF-

						DCV
11		CH4 IN 2	Lemo 3P		NC	(no label)
12	LAS PP1 #30	CH4 OUT	BNC	Coax	EER2/C28/Bd6-#17	Bs-BMS-QF-DCV

LAS3 -- Patch Panel Rack

LAS3/PP3

Patch Panels 0 -108

SN		Panel Label	Conn type	Cable Type	From (LL & EE room)	Destination (DAQ)	Signal
1	PP1	Bs-SL-DT-DC	BNC	Coax	Buf Ch1 OutA	DAQ/R23/C21 Bd2 ch1	Bs-SL-DT-DC
2	PP2	Bs-MOD-EO-M6	BNC	Coax	LAS1/C6	DAQ/R23/C21 Bd2 ch2	Bs-MOD-EO-M6
3	PP3	Bs-MOD-EO-M14	BNC	Coax	LAS1/C7	DAQ/R23/C21 Bd2 ch3	Bs-MOD-EO-M14
4	PP4	Bs-MOD-EO-M22	BNC	Coax	LAS1/C6	DAQ/R23/C21 Bd2 ch4	Bs-MOD-EO-M22
5	PP5	Bs-SL-I1	T BNC: (a) PP5 (b) PP35	Coax	EER1/C7	DAQ/R23/C21 Bd2 ch5	Bs-SL-I1
6	PP6	Bs-SL-I2	T BNC : (a) PP6 (b) PP36	Coax	EER1/C5	DAQ/R23/C21 Bd2 ch6	Bs-SL-I2
7	PP7	Bs-ML-PWR-rms	BNC	Coax	?	DAQ/R23/C21 Bd2 ch7	Bs-ML-PWR-rms
8	PP8	Bs-ML-Th	BNC	Coax	LAS3-PP67	DAQ/R23/C21 Bd2 ch8	Bs-ML-Th
9	PP13	Bs-SL-D3-DC	BNC	Coax	EER1/C8-#6	DAQ/R23/C21 Bd3 ch1	Bs-SL-D3-DC
10	PP14	Bs-SL-D4-DC	BNC	Coax	EER1/C8-#9	DAQ/R23/C21 Bd3 ch2	Bs-SL-D4-DC
11	PP15	Xpos 1	BNC	Coax	LAS3/SIB PSD	DAQ/R23/C21 Bd3 ch3	PSD-M0-Xpos
12	PP16	Ypos 1	BNC	Coax	LAS3/SIB PSD	DAQ/R23/C21 Bd3 ch4	PSD-M0-Ypos
13	PP17	SUM 1	BNC	Coax	LAS3/SIB PSD	DAQ/R23/C21 Bd3 ch5	PSD-M0-SUM
14	PP18	Xpos 2	BNC	Coax	LAS3/SIB PSD	DAQ/R23/C21 Bd3 ch6	PSD-M2-Xpos
15	PP19	Ypos 2	BNC	Coax	LAS3/SIB PSD	DAQ/R23/C21 Bd 3 ch7	PSD-M2-Ypos
16	PP20	SUM 2	BNC	Coax	LAS3/SIB PSD	DAQ/R23/C21 Bd 3ch8	PSD-M2-SUM
17	PP25	Xpos 3	BNC	Coax	LAS3/SIB PSD	DAQ/R23/C21 Bd 4 ch1	PSD-M11-Xpos
18	PP26	Ypos 3	BNC	Coax	LAS3/SIB PSD	DAQ/R23/C21 Bd 4 ch2	PSD-M11-Ypos
19	PP27	SUM 3	BNC	Coax	LAS3/SIB PSD	DAQ/R23/C21 Bd 4 ch3	PSD-M11-SUM
20	PP28	Xpos 4	BNC	Coax	LAS3/SIB PSD	DAQ/R23/C21 Bd 4 ch4	PSD-M5-Xpos
21	PP29	Ypos 4	BNC	Coax	LAS3/SIB PSD	DAQ/R23/C21 Bd 4 ch5	PSD-M5-Ypos
22	PP30	SUM 4	BNC	Coax	LAS3/SIB PSD	DAQ/R23/C21 Bd 4 ch6	PSD-M5-SUM
23	PP9	Bs-IMC-QN-ACh	BNC	Coax	EIB/IMC-QN (#7)	DAQ/R23/C40 Bd 13 ch1	Bs-IMC-QN-ACh

24	PP10	Bs-IMC-QN-ACv	BNC	Coax	EIB/IMC-QN (#8)	DAQ/R23/C40 Bd 13 ch2	Bs-IMC-QN-ACv
25	PP11	Bs-IMC-QF-ACh	BNC	Coax	EIB/IMC-QF (#7)	DAQ/R23/C40 Bd 13 ch3	Bs-IMC-QF-ACh
26	PP12	Bs-IMC-QF-ACv	BNC	Coax	EIB/IMC-QF (#8)	DAQ/R23/C40 Bd 13 ch4	Bs-IMC-QF-ACv
27	PP21	Bs-SSFS-Corr	BNC	Coax	LAS1/C3 (#14)	DAQ/R23/C40 Bd 13 ch5	Bs-SSFS-Corr
28	PP22	Bs-IMC-Tra	BNC	Coax	LAS3/Buf Ch11 OutD	DAQ/R23/C40 Bd 13 ch6	Bs-IMC-Tra
29	PP34	Bs-SSFS-TRIG	BNC	Coax	LAS1/C3 (#7)	DAQ/R23/C40 Bd 14 ch1	Bs-SSFS-TRIG
30	PP35	Bs-SL-I1	BNC from PP5	Coax	LAS3-PP5	DAQ/R23/PP30 and then “temporarily” on DAQ/R17/C57/Bd5 Ch1 (logbook #15647)	Bs-SL-I1
31	PP36	Bs-SL-I2	BNC from PP6		LAS3-PP5	DAQ/R23/PP31 and then “temporarily” on DAQ/R17/C57/Bd5 Ch2 (logbook #15647)	Bs-SL-I2
32	PP37	Bs-RFC-QN-ACh	BNC	Coax	EIB/RFC-QN	DAQ/R23/C23/Bd3 ch1	Bs-RFC-QN-ACh
33	PP38	Bs-RFC-QN-ACv	BNC	Coax	EIB/RFC-QN	DAQ/R23/C23/Bd3 ch2	Bs-RFC-QN-ACv
34	PP39	Bs-RFC-QF-ACh	BNC	Coax	EIB/RFC-QF	DAQ/R23/C23/Bd3-ch3	Bs-RFC-QF-ACh
35	PP40	Bs-RFC-QF-ACv	BNC	Coax	EIB/RFC-QF	DAQ/R23/C23/Bd3-ch4	Bs-RFC-QF-ACv
36	PP41	Bs-D1T-DC	BNC	Coax	Buf Ch11 OutC	DAQ/R23/C23/Bd3-ch5	Bs-D1T-DC from Buf
37	PP42	Bs-RFC-Tra	BNC	Coax	Buf Ch21 OutB	DAQ/R23/C23/Bd3-ch6	Bs-RFC-Tra
38	PP43	P0-ST	BNC	Coax	EER1/C2 #10	DAQ/R23/C23/Bd3-ch7	P0-ST
39	PP44	Bs-ML-Pz	BNC	Coax	LAS3-Buf Ch15 OutA	DAQ/R23/C23/Bd3-ch8	Bs-ML-Pz from Buf
40	PP45	Bs-RFC-MUh	BNC	Coax	NC	DAQ/R23/C23/Bd4 ch1	(M15X)
41	PP46	Bs-RFC-MUv	BNC	Coax	NC	DAQ/R23/C23/Bd4 ch2	(M15Y)
42	PP47	Bs-RFC-MDh	BNC	Coax	NC	DAQ/R23/C23/Bd4 ch3	(M16X)
43	PP48	Bs-RFC-MDv	BNC	Coax	NC	DAQ/R23/C23/Bd4 ch4	(M16Y)
44	PP49	Bs-BMS-QN-DCh	BNC	Coax	EIB/ BMS-QN	DAQ/R23/C23/Bd6 ch1	Bs-BMS-QN-DCh
45	PP50	Bs-BMS-QN-DCv	BNC	Coax	EIB/ BMS-QN	DAQ/R23/C23/Bd6 ch2	Bs-BMS-QN-DCv
46	PP51	Bs-BMS-QF-DCh	BNC	Coax	EIB/ BMS-QF	DAQ/R23/C23/Bd6 ch3	Bs-BMS-QF-DCh
47	PP52	Bs-BMS-QF-DCv	BNC	Coax	EIB/ BMS-QF	DAQ/R23/C23/Bd6 ch4	Bs-BMS-QF-DCv
48	PP61	Bs-BMS-MUh	BNC	Coax	PIEZO DRIVER	DAQ/R23/C23/Bd5 ch5	Bs-BMS-MUh
49	PP62	Bs-BMS-MUv	BNC	Coax	PIEZO DRIVER	DAQ/R23/C23/Bd5 ch6	Bs-BMS-MUv
50	PP63	Bs-BMS-MDh	BNC	Coax	PIEZO DRIVER	DAQ/R23/C23/Bd5 ch7	Bs-BMS-MDh
51	PP64	Bs-BMS-MDv	BNC	Coax	PIEZO	DAQ/R23/C23/Bd5	Bs-BMS-MDv

					DRIVER	ch8	
52	PP65	Perturb	BNC	Coax	LAS1/C3/#2	DAQ/R23/C23/Bd4 ch6	Perturb
53	PP66	BROKEN! Shifted to #69	BNC	Coax	LAS1/C3/#2	DAQ/R23/C23/Bd4 ch6	Perturb
54	PP67	Bs-ML-Th	BNC	Coax	Buf Ch22 In	DAQ/R23/C23/Bd4 ch7	Bs-ML-Th
55	PP68	Bs-IMC-Fr-Cr	BNC	Coax	?	DAQ/R23/C23/Bd4 ch8	Bs-IMC-Fr-Cr
56	PP69	Analog IN	BNC	Coax	NC	DAQ/R23/C23/Bd4 ch6	
57	PP70	Po-Cr	BNC	Coax	EER1/C2/#8	DAQ/R23/C23/Bd5 ch1	Po-Cr
58	PP71	Bs-Pwr-DC	BNC	Coax	EER1/C7/#8	DAQ/R23/C23/Bd5 ch2	Bs-Pwr-DC
59	PP72		BNC	Coax	wall PP #6		
60	PP74		BNC	Coax		NC	
61	PP75	EO1-Corr-Monit	BNC	Coax	LAS1/C6/ #13		YAG pzt
62	PP10 5	Flip	BNC	Coax	EIB	DET/	Flip
63	PP10 4	Shutt	BNC	Coax	EIB	DET /	Shutt
64	PP82		Lemo3pin			NC	
65	PP83		Lemo3pin			NC	
66	PP84		Lemo3pin			NC	
67	PP94		Lemo3pin			NC	
68	PP95		Lemo3pin			NC	
69	PP96		Lemo3pin			NC	
70	PP106		Lemo3pin			NC	
71	PP107		Lemo3pin			NC	
72	PP108		Lemo3pin			NC	

LAS3/PP2

Patch Panels A-X

SN	Panel Label	Conn type	Cable Type	Destination FRONT	Destination BACK	Signal
1	A	BNC	Coax	QV-1 (#11)	IB-LC	VIDEO 1
2	B	BNC	Coax	QV-1 (#9)	MC LC from DAQ	VIDEO 2
3	C	BNC	Coax	QV-1 (#7)	NC (DIAPH)	VIDEO 3
4	D	BNC	Coax	QV-1 (#5)	MC Ctrl from DAQ	VIDEO 4
5	E	BNC	Coax	QV-2 (#8)	To DAQ Susp.InjB	VIDEO 5
6	F	BNC	Coax	QV-2 (#9)	Susp.InjB.Source	VIDEO 6
7	G	BNC	Coax	NC		
8	H	BNC	Coax	QV-2 (#5)	Diedro	VIDEO 8
9	I	BNC	Coax	?		
10	J	BNC	Coax	NC		
11	K	BNC	Coax	NC		
12	L	BNC	Coax	NC		
13	M	BNC	Coax	NC		
14	N	BNC	Coax	NC		
15	O	BNC	Coax	QV-1 (#6)	To DAQ DIAPH	VIDEO 3 LOOP
16	P	BNC	Coax	NC		
17	Q	BNC	Coax	QV-2 (#10)	To DAQ LASER CAM	VIDEO 5 LOOP
18	R	BNC	Coax	?		VIDEO 6 LOOP
19	S	BNC	Coax	NC		
20	T	BNC	Coax	QV-2 (#4)	To DAQ Diedro	VIDEO 8 LOOP

21	U	BNC	Coax	NC		
22	V	BNC	Coax	NC		
23	W	BNC	Coax	NC		
24	X	BNC	Coax	NC		

LAS3/PP1

Patch Panels A1..A34

SN		Panel Label	Conn type	Cable Type	Destination	Signal
1	A1	Bs-SL-QN-ACh	BNC	Coax	DAQ/R17/C39/Bd7-Ch1	Bs-SL-QN-ACh
2	A2	Bs-SL-QN-ACv	BNC	Coax	DAQ/R17/C39/Bd7-Ch 2	Bs-SL-QN-ACv
3	A3	Bs-SL-QF-ACh	BNC	Coax	DAQ/R17/C39/Bd7-Ch 3	Bs-SL-QF-ACh
4	A4	Bs-SL-QF-ACv	BNC	Coax	DAQ/R17/C39/Bd7-Ch 4	Bs-SL-QF-ACv
5	A5	Bs-SL-DT-DCHF	BNC	Coax	DAQ/R17/C39/Bd7-Ch 5	Bs-SL-DT-DCHF
6	A6	Bs-SL-D2R-DCHF	BNC	Coax	DAQ/R17/C39/Bd7-Ch 6	Bs-SL-D2R-DCHF
7	A7	Bs-ML-D-DCHF	BNC	Coax	DAQ/R17/C39/Bd7-Ch 7	Bs-ML-D-DCHF
8	A8	Bs-SL-D1R-AC	BNC	Coax	DAQ/R17/C39/Bd7-Ch 8	Bs-SL-D1R-AC
9	A9	Bs-SL-PzS	BNC	Coax	DAQ/R17/C39/Bd7-Ch 9	Bs-SL-PzS
10	A10	Bs-SL-PzF	BNC	Coax	DAQ/R17/C39/Bd7-Ch 10	Bs-SL-PzF
11	A11	Bs-ML-Pz	BNC	Coax	DAQ/R17/C39/Bd7-Ch 11	Bs-ML-Pz
12	A12	Bs-SL-Icorr-DC	BNC	Coax	DAQ/R17/C39/Bd7-Ch 12	Bs-SL-Icorr-DC
13	A13	Bs-SL-Icorr-DCHF	BNC	Coax	DAQ/R17/C39/Bd7-Ch 13	Bs-SL-Icorr-DCHF
14	A14	Bs-SL-D3-DCHF	BNC	Coax	DAQ/R17/C39/Bd7-Ch 14	Bs-SL-D3-DCHF
15	A15	Bs-SL-D4-DCHF	BNC	Coax	DAQ/R17/C39/Bd7-Ch 15	Bs-SL-D4-DCHF
16	A16	Bs-IMC-QN-DCh	BNC	Coax	DAQ/R17/C39/Bd8 Ch1 -- ADC	Bs-IMC-QN-DCh
17	A17	Bs-IMC-QN-DCv	BNC	Coax	DAQ/R17/C39/Bd8 Ch 2	Bs-IMC-QN-DCv
18	A18	Bs-IMC-QF-DCh	BNC	Coax	DAQ/R17/C39/Bd8 Ch 3	Bs-IMC-QF-DCh
19	A19	Bs-IMC-QF-DCv	BNC	Coax	DAQ/R17/C39/Bd8 Ch 4	Bs-IMC-QF-DCv
20	A20	Bs-IMC-D1T-DCHF	BNC	Coax	DAQ/R17/C39/Bd8 Ch 5	Bs-IMC-D1T- DCHF
21	A21	Bs-IMC-DR-AC1	BNC	Coax	DAQ/R17/C39/Bd8 Ch 6	Bs-IMC-DR-AC1
22	A22	Bs-IMC-DR-AC2	BNC	Coax	DAQ/R17/C39/Bd8 Ch 7	Bs-IMC-DR-AC2
23	A23	Bs-IMC-DR-DC	BNC	Coax	DAQ/R17/C39/Bd8 Ch -8	Bs-IMC-DR-DC
24	A24	Bs-RFC-QN-DCh	BNC	Coax	DAQ/R17/C39/Bd8 Ch 9	Bs-RFC-QN-DCh
25	A25	Bs-RFC-QN-DCv	BNC	Coax	DAQ/R17/C39/Bd8 Ch 10	Bs-RFC-QN-DCv
26	A26	Bs-RFC-QF-DCh	BNC	Coax	DAQ/R17/C39/Bd8 Ch 11	Bs-RFC-QF-DCh
27	A27	Bs-RFC-QF-DCv	BNC	Coax	DAQ/R17/C39/Bd8 Ch 12	Bs-RFC-QF-DCv
28	A28	Bs-RFC-TRA	BNC	Coax	DAQ/R17/C39/Bd8 Ch 13	Bs-RFC-TRA
29	A29	NC	BNC			
30	A30	NC	BNC			
31	A31	NC	BNC			
32	A32	NC	BNC			
33	A33	NC	BNC			
34	A34	NC	BNC			

LA3/C1

Galvo Driver

LA3/C2

SIB PSDs Front-End electronics

LA3/C3/ D1

Picomotors Drivers

LA3/C3/ D2

Faraday rotator Drivers

LAS3/C4

(Coulon's) Buffer (outD is on the back)

SN		Panel Label	Conn type	Cable Type	Destination	Signal
1	Ch1 In	Bs-SL-DT-DC	BNC	Coax	LB/SL-DT #2 PD	
2	Ch1 OutA		BNC	Coax	LAS3-PP 1	
3	Ch1 OutB		BNC	Coax	LAS1/C5/#11	SL-Tra
4	Ch1 OutC		BNC	Coax	NC	
5	Ch1 OutD		BNC	Coax	NC	
6	Ch2 In	Bs-SL-DT-DCHF	BNC	Coax	LB/SL-DT #1 PD	
7	Ch2 OutA		BNC	Coax	NC	
8	Ch2 OutB		BNC	Coax	NC	
9	Ch2 OutC		BNC	Coax	NC	
10	Ch2 OutD		BNC	Coax	LAS3-PP A5	
11	Ch3 In	Bs-SL--D2R-DCHF	BNC	Coax	LB/SL-D2R #2 PD	
12	Ch3 OutA		BNC	Coax	NC	
13	Ch3 OutB		BNC	Coax	NC	
14	Ch3 OutC		BNC	Coax	NC	
15	Ch3 OutD		BNC	Coax	LAS3-PP A6	
16	Ch4 In	DRIVER DC	BNC	Coax	EER1/C2#3b	
17	Ch4 OutA		BNC	Coax	NC	
18	Ch4 OutB		BNC	Coax	NC	
19	Ch4 OutC		BNC	Coax	NC	
20	Ch4 OutD		BNC	Coax	LAS3-PP A12	
21	Ch5 In	DRIVER AC	BNC	Coax	EER1/C2/#4b thru LP (L-R-C) 23 Hz	
22	Ch5 OutA		BNC	Coax	NC	
23	Ch5 OutB		BNC	Coax	NC	
24	Ch5 OutC		BNC	Coax	NC	
25	Ch5 OutD		BNC	Coax	LAS3-PP A13	
26	Ch6 In	PMC-DT-DC	BNC	Coax	To Laser Bench	PMC-DT-DC
27	Ch6 OutA		BNC	Coax	To LAS1/C4-#9	PMC-DT-DC
28	Ch6 OutB		BNC	Coax	TO LAS PP1 #33	Bs-PMC-DT-DC
29	Ch6 OutC		BNC	Coax		
30	Ch6 OutD		BNC	Coax		
31	Ch7 In	NC	BNC	Coax		
32	Ch7 OutA		BNC	Coax		
33	Ch7 OutB		BNC	Coax		
34	Ch7 OutC		BNC	Coax		
35	Ch7 OutD		BNC	Coax		
36	Ch8 In	NC	BNC	Coax		
37	Ch8 OutA		BNC	Coax		
38	Ch8 OutB		BNC	Coax		
39	Ch8 OutC		BNC	Coax		
40	Ch8 OutD		BNC	Coax		
41	Ch9 In	NC	BNC	Coax		
42	Ch9 OutA		BNC	Coax		
43	Ch9 OutB		BNC	Coax		
44	Ch9 OutC		BNC	Coax		
45	Ch9 OutD		BNC	Coax		
46	Ch10 In	NC	BNC	Coax		
47	Ch10 OutA		BNC	Coax		
48	Ch10 OutB		BNC	Coax		
49	Ch10 OutC		BNC	Coax		
50	Ch10 OutD		BNC	Coax		

51	Ch11 In	Bs-IMC-D1T-DC	BNC	Coax	SIB IMC-D1T PD	
52	Ch11 OutA		BNC	Coax	LAS1/C3/#17	Sc-IB-Tra-MC
53	Ch11 OutB		BNC	Coax	NC	
54	Ch11 OutC		BNC	Coax	LAS3-PP 41	
55	Ch11 OutD		BNC	Coax	LAS3-PP 22	
56	Ch12 In	NC	BNC	Coax		
57	Ch12 OutA		BNC	Coax		
58	Ch12 OutB		BNC	Coax		
59	Ch12 OutC		BNC	Coax		
60	Ch12 OutD		BNC	Coax		
61	Ch13 In	Bs-SL-PztS-Monit	BNC	Coax	LAS1/C5/#8	Bs-SL-PzS
62	Ch13 OutA		BNC	Coax	NC	
63	Ch13 OutB		BNC	Coax	NC	
64	Ch13 OutC		BNC	Coax	NC	
65	Ch13 OutD		BNC	Coax	LAS3- PP A9	
66	Ch14 In	Bs-SL-PztF-Monit	BNC	Coax	LAS1/40dB Amp Box Ch2 Out	
67	Ch14 OutA		BNC	Coax	NC	
68	Ch14 OutB		BNC	Coax	NC	
69	Ch14 OutC		BNC	Coax	NC	
70	Ch14 OutD		BNC	Coax	LAS3-PP A10	
71	Ch15 In	Bs-ML-Pzt-Monit	BNC	Coax	LAS1/C3/#12	
72	Ch15 OutA		BNC	Coax	LAS3-PP 44	
73	Ch15 OutB		BNC	Coax	NC	
74	Ch15 OutC		BNC	Coax	NC	
75	Ch15 OutD		BNC	Coax	LAS3-PP A11	
76	Ch16 In	NC	BNC	Coax		
77	Ch16 OutA		BNC	Coax		
78	Ch16 OutB		BNC	Coax		
79	Ch16 OutC		BNC	Coax		
80	Ch16 OutD		BNC	Coax		
81	Ch17 In	Bs-ML-D-DCHF	BNC	Coax	LB ML-D PD	
82	Ch17 OutA		BNC	Coax	LAS1/Scope B Ch1	
83	Ch17 OutB		BNC	Coax	NC	
84	Ch17 OutC		BNC	Coax	NC	
85	Ch17 OutD		BNC	Coax	LAS3-PP A7	
86	Ch18 In	NC	BNC	Coax		
87	Ch18 OutA		BNC	Coax		
88	Ch18 OutB		BNC	Coax		
89	Ch18 OutC		BNC	Coax		
90	Ch18 OutD		BNC	Coax		
91	Ch19 In	NC	BNC	Coax		
92	Ch19 OutA		BNC	Coax		
93	Ch19 OutB		BNC	Coax		
94	Ch19 OutC		BNC	Coax		
95	Ch19 OutD		BNC	Coax		
96	Ch20 In	NC	BNC	Coax		
97	Ch20 OutA		BNC	Coax		
98	Ch20 OutB		BNC	Coax		
99	Ch20 OutC		BNC	Coax		
100	Ch20 OutD		BNC	Coax		
101	Ch21 In	Bs-RFCTra	BNC	Coax	Ext RFC Bench PD	
102	Ch21 OutA		BNC	Coax		
103	Ch21 OutB		BNC	Coax	PP 42	
104	Ch21 OutC		BNC	Coax	LAS2 AA BOX Ch1 IN	RF-Tra-DC
105	Ch21 OutD		BNC	Coax	LAS3-PP A28	
106	Ch22 In	Bs-ML-Th	BNC	Coax	LAS3-PP67	
107	Ch22 OutA		BNC	Coax	Thru Att x 10 - (33k,	Bs-ML-Th

					3.9k)	
108	Ch22 OutB		BNC	Coax	NC	
109	Ch22 OutC		BNC	Coax	LAS3-PP 8	
110	Ch22 OutD		BNC	Coax	NC	
111	Ch23 In	NC	BNC	Coax		
112	Ch23 OutA		BNC	Coax		
113	Ch23 OutB		BNC	Coax		
114	Ch23 OutC		BNC	Coax		
115	Ch23 OutD		BNC	Coax		
116	Ch24 In	NC	BNC	Coax		
117	Ch24 OutA		BNC	Coax		
118	Ch24 OutB		BNC	Coax		
119	Ch24 OutC		BNC	Coax		
120	Ch24 OutD		BNC	Coax		

Patch Panel wall

SN	Panel Label	Conn type	Cable Type	Destination	Signal
1		BNC	Coax	EER2/C30/Bd4 #1 --SN #19	WPP1
2		BNC	Coax	EER2/C30/Bd4 #6 --SN #24	Bs-IMC-DR-AC2
3		BNC	Coax	PP camera A	VIDEO1
4		BNC	Coax	Nc	
5		BNC	Coax	QV#?? IN3 ??	
6		BNC	Coax	PP 72	
7		BNC	Coax	EER2/C30/Bd4 #7 --SN #25	
8		BNC	Coax	Nc	
9		BNC	Coax	PP camera E	VIDEO5
10		BNC	Coax	Nc	

LAS4 -- Short Rack

LAS4/C1

Master Laser Power Supply

Back

1	Mod In Current Laser Diode	BNC		NC	
2	Mod In Temp Laser Crystal	BNC		LAS3/Buf Ch22 OutA thru Pomona box (Att x 10 -33k, 3.9k-)	Bs-ML-Th
3	Mod In Temp Doubling Crystal	BNC		NC	
4	LASER	DB37		LB/ML	
5	AC POWER				

LAS4/C2

RF Power Amplifier ELM001100-8

SN	Panel Label	Conn type	Cable Type	Destination	Signal
1	REF IN	BNC	RG58	LAS1/C6/#10	E02-Pwr
2	REF OUT	BNC	RG223	LB/EOM2/#1	

LAS4/C3/D1

PreMode Cleaner Pump Pressure Gauge (TBR)

Quadrivision (QV)

QV-1

SN	Panel Label	Conn type	Cable Type	Destination	Signal
1	ALARM	BNC	Coax	NC	
2	SWITCH	BNC	Coax	VIDEO IN (MONITOR-1)	
3	QUAD	BNC	Coax	NC	
4	LOOP4	BNC	Coax	NC	
5	4	BNC	Coax	Patch Panels A-X #4	VIDEO 4
6	LOOP3	BNC	Coax	Patch Panels A-X #15	VIDEO 3 LOOP
7	3	BNC	Coax	Patch Panels A-X #3	VIDEO 3
8	LOOP2	BNC	Coax	NC	
9	2	BNC	Coax	Patch Panels A-X #2	VIDEO 2
10	LOOP1	BNC	Coax	NC	
11	1	BNC	Coax	Patch Panels A-X #1	VIDEO 1
12	VCR IN	BNC	Coax	NC	
13	12V				POWER

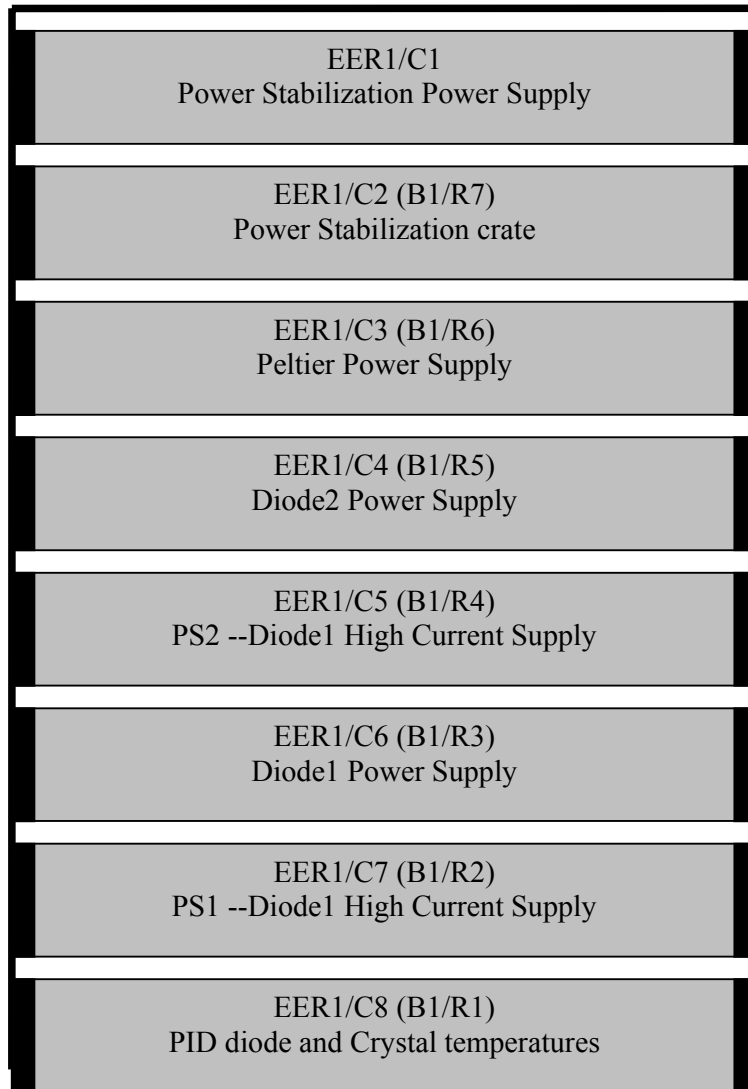
QV-2

SN	Panel Label	Conn type	Cable Type	Destination	Signal
1	ALARM	BNC	Coax	NC	
2	SWITCH	BNC	Coax	VIDEO IN (MONITOR-2)	
3	QUAD	BNC	Coax	NC	
4	LOOP4	BNC	Coax	Patch Panels A-X #20	VIDEO 8 LOOP
5	4	BNC	Coax	Patch Panels A-X #8	VIDEO 8
6	LOOP3	BNC	Coax	NC	
7	3	BNC	Coax	Patch Pannel 'wall' #5	IB-NW
8	LOOP2	BNC	Coax	Patch Panels A-X #5	VIDEO 5
9	2	BNC	Coax	Patch Panels A-X #6	VIDEO 6
10	LOOP1	BNC	Coax	Patch Panels A-X #17	VIDEO 5 LOOP
11	1	BNC	Coax	Connected to the LASER CAM	LASER CAM
12	VCR IN	BNC	Coax	NC	
13	12V				POWER

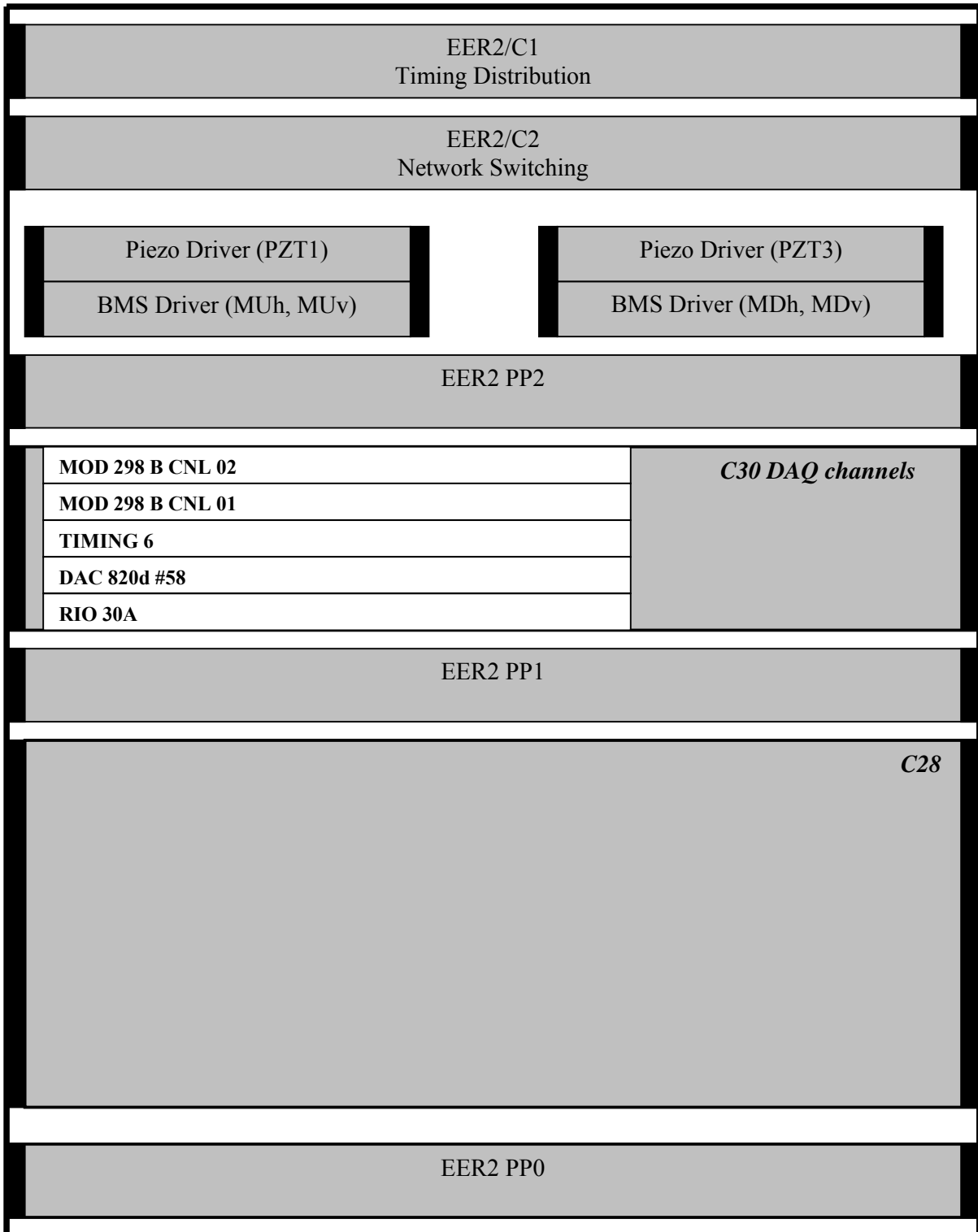
QV-3

SN	Panel Label	Conn type	Cable Type	Destination	Signal
1	ALARM	BNC	Coax	NC	
2	SWITCH	BNC	Coax	VIDEO IN (MONITOR-3)	□
3	QUAD	BNC	Coax	NC	
4	LOOP4	BNC	Coax	NC	
5	4	BNC	Coax		ARcQ8
6	LOOP3	BNC	Coax	NC	
7	3	BNC	Coax		ARcQ6
8	LOOP2	BNC	Coax	NC	
9	2	BNC	Coax		ARcQ2
10	LOOP1	BNC	Coax	NC	
11	1	BNC	Coax		ARcQ1
12	VCR IN	BNC	Coax	NC	
13	12V				POWER

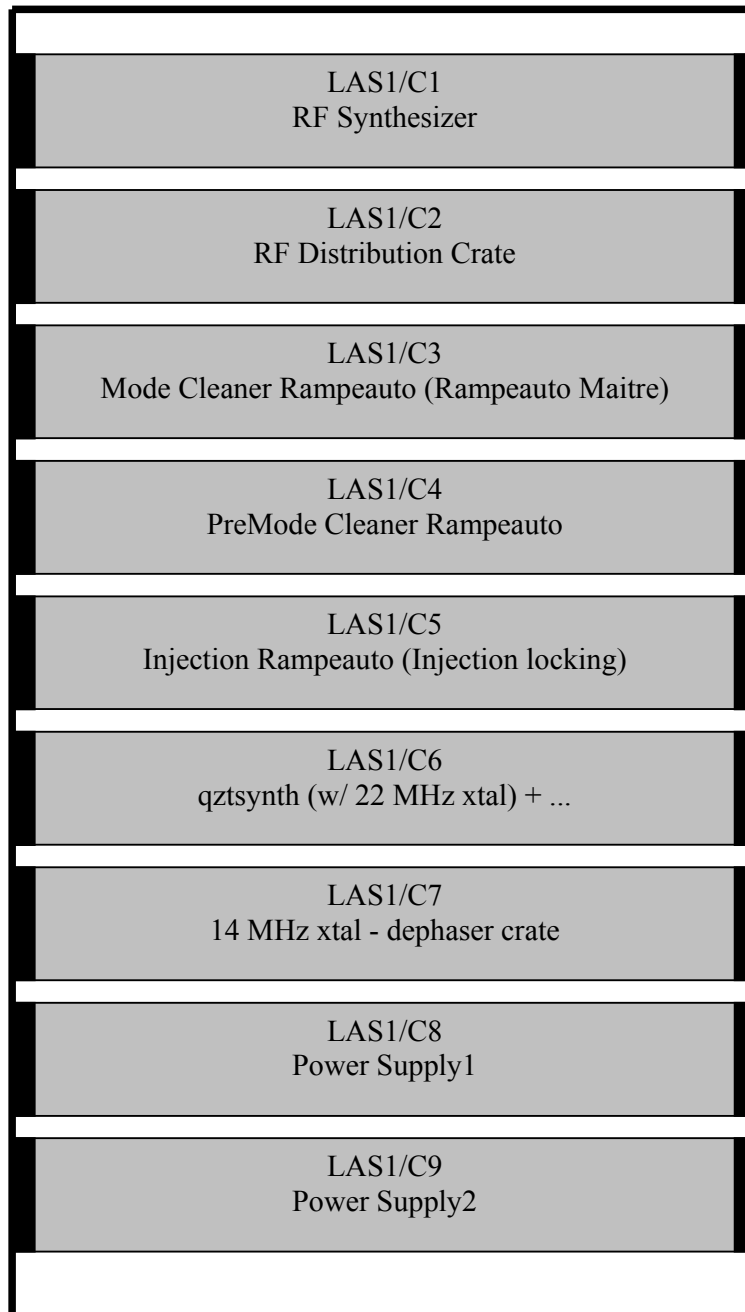
EER1



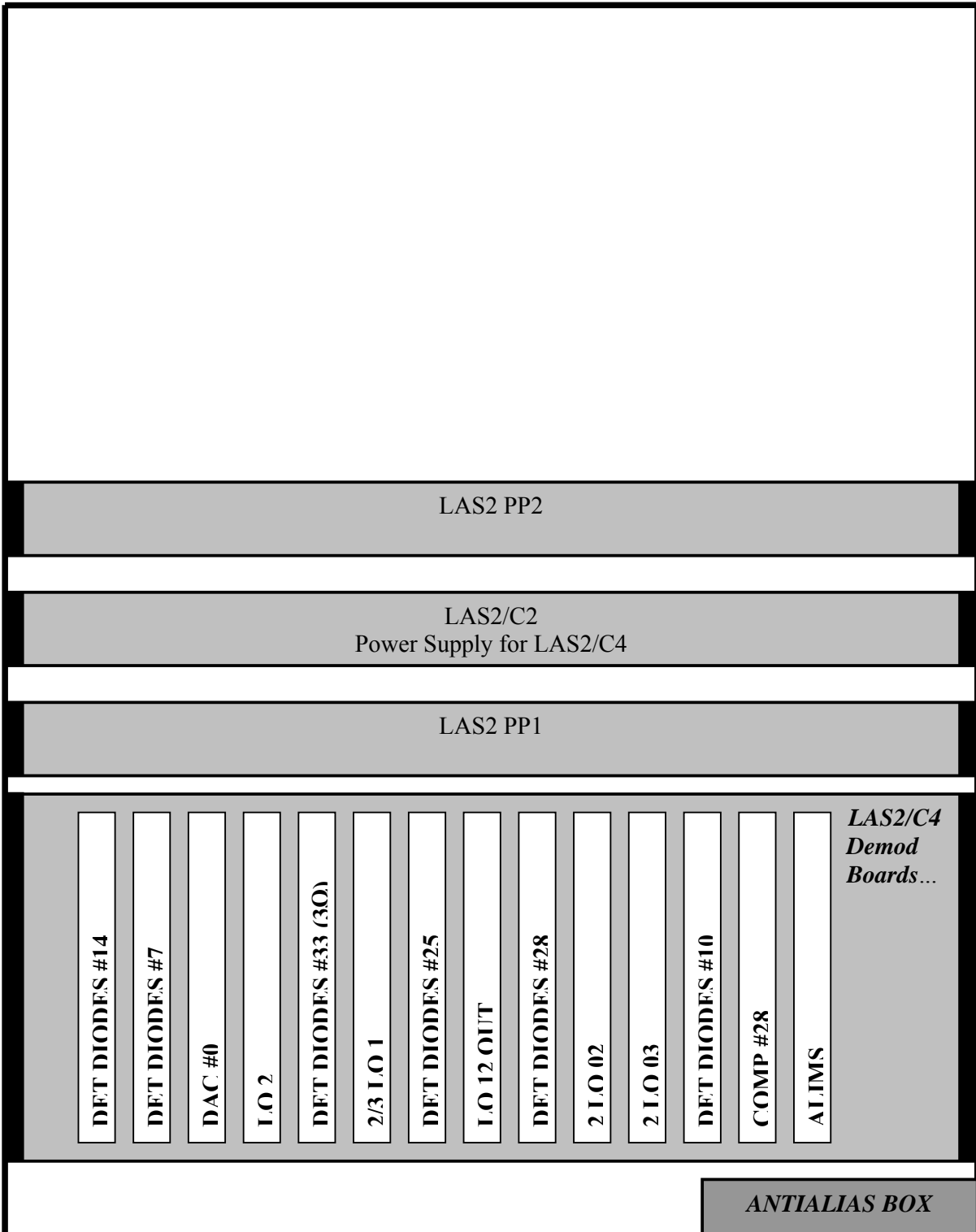
EER2



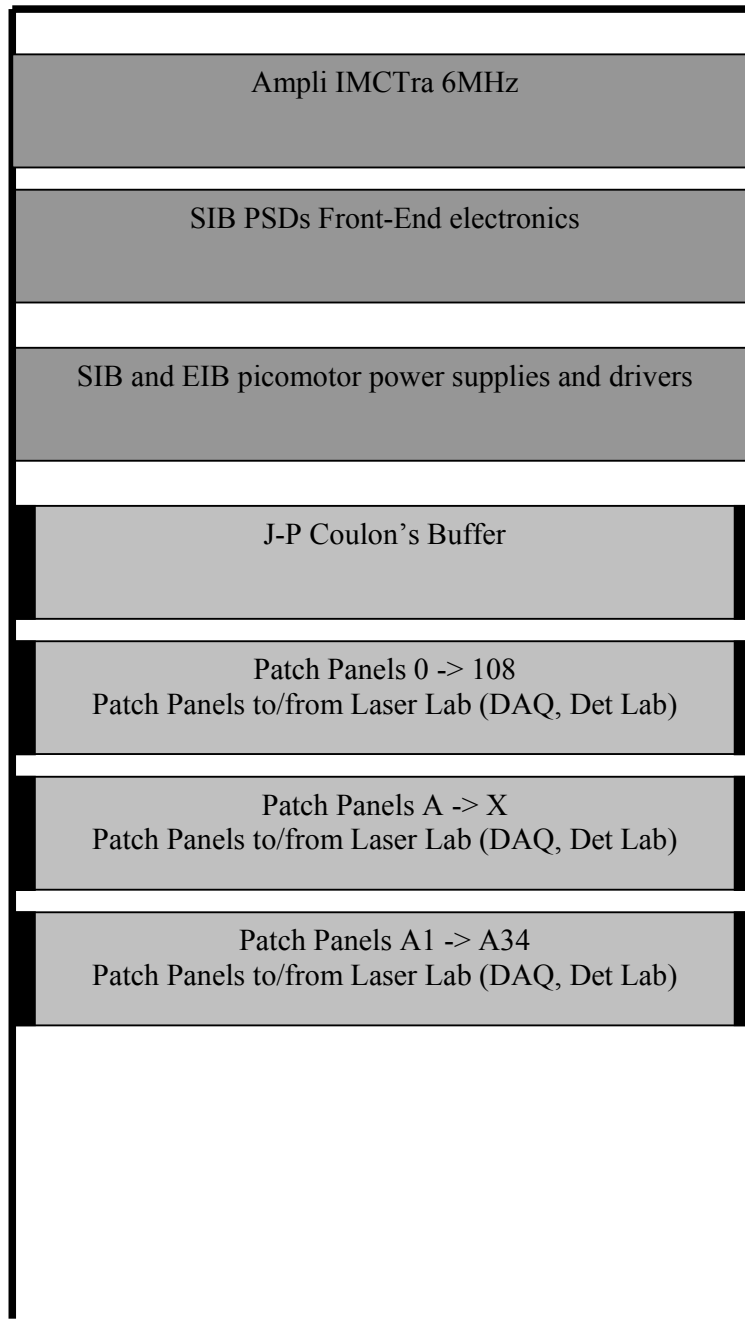
LAS1



LAS2



LAS3



LAS4

