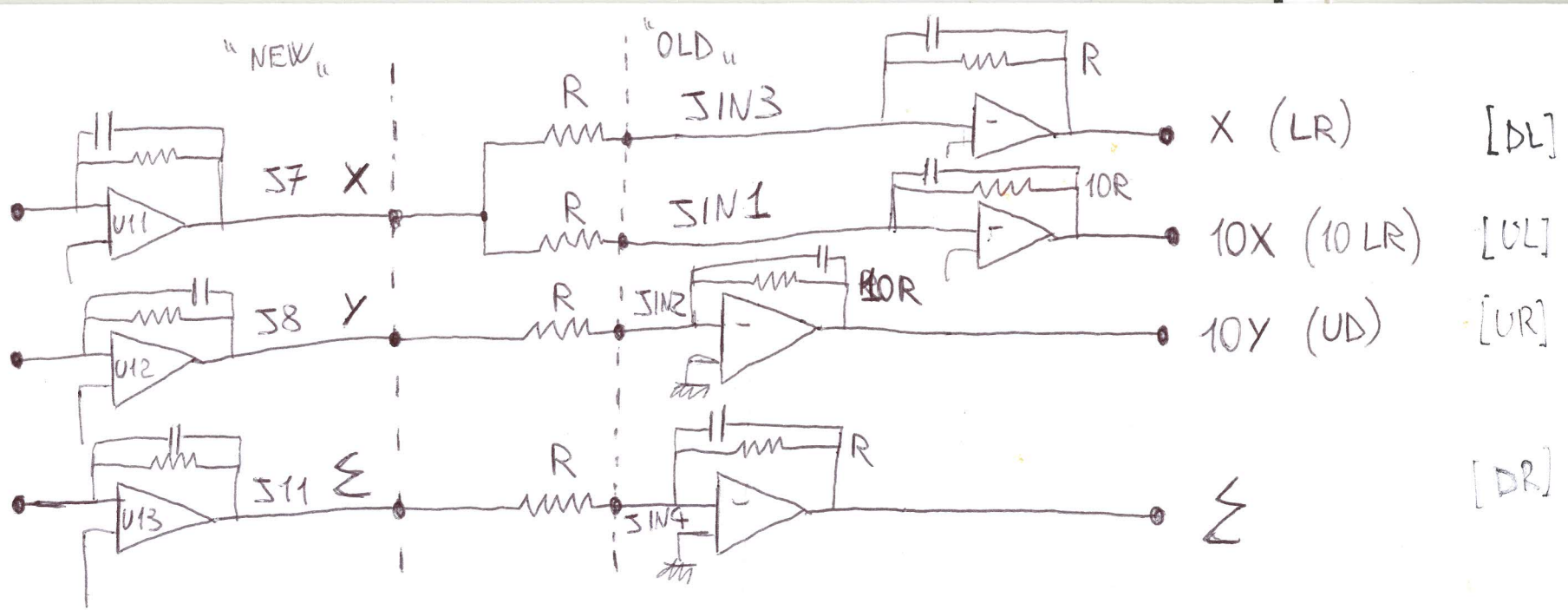
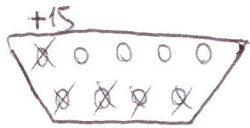


R = 1K Ω



DBG Female (rear)



n. 17 OP27E

n. 4 SSH 2142

	10K / 150nF	I = 52 μ A
UD x 10	-8,78 mV	-8,79 mV
LR x 10	-10,56 mV	-11,68 mV
LR	-7,62 mV	-10,10 mV
SUM	-11,43 mV	-11,9 mV

Scatola Quadrata
10K / 150nF

Scatola Piatta
10K / 100nF

0586/50 1915



DL	UR	UL	DR
UD x 10	LR x 10	LR	SUM

Σ x 10
 DL UR UL Σ

Vertical text on the right edge of the page, likely a page number or reference code.