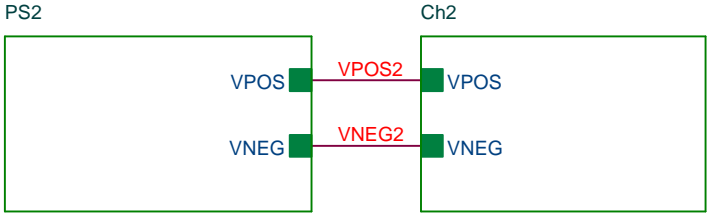


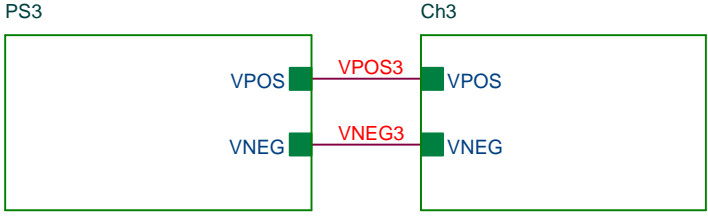
Supply

CH1



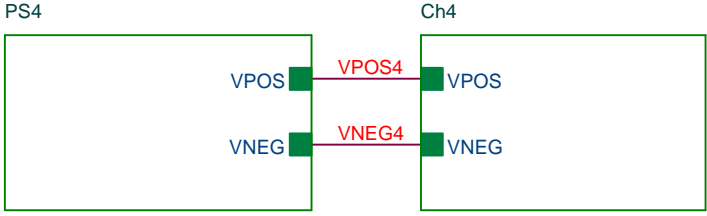
Supply

CH1



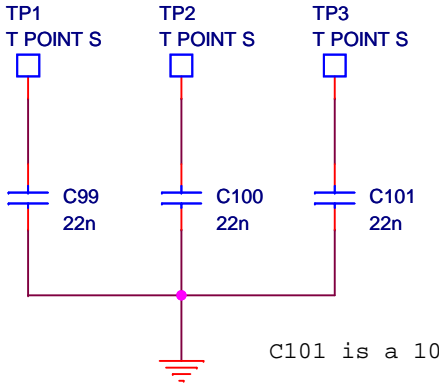
Supply

CH1

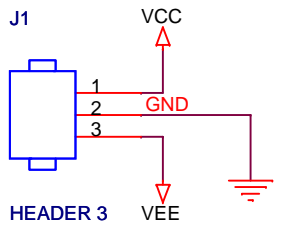


Supply

CH1



C101 is a 10 ohm resistor



The "master" power supply is a Power-One HCC24-2.4-A adjusted for +/- 20V
 Mains fuse is "Timed 1A"

Title		
GALVO driver main		
Size	Document Number	Rev
A	<Doc>	<RevCode>
Date:	Friday, October 03, 2008	Sheet 1 of 9