

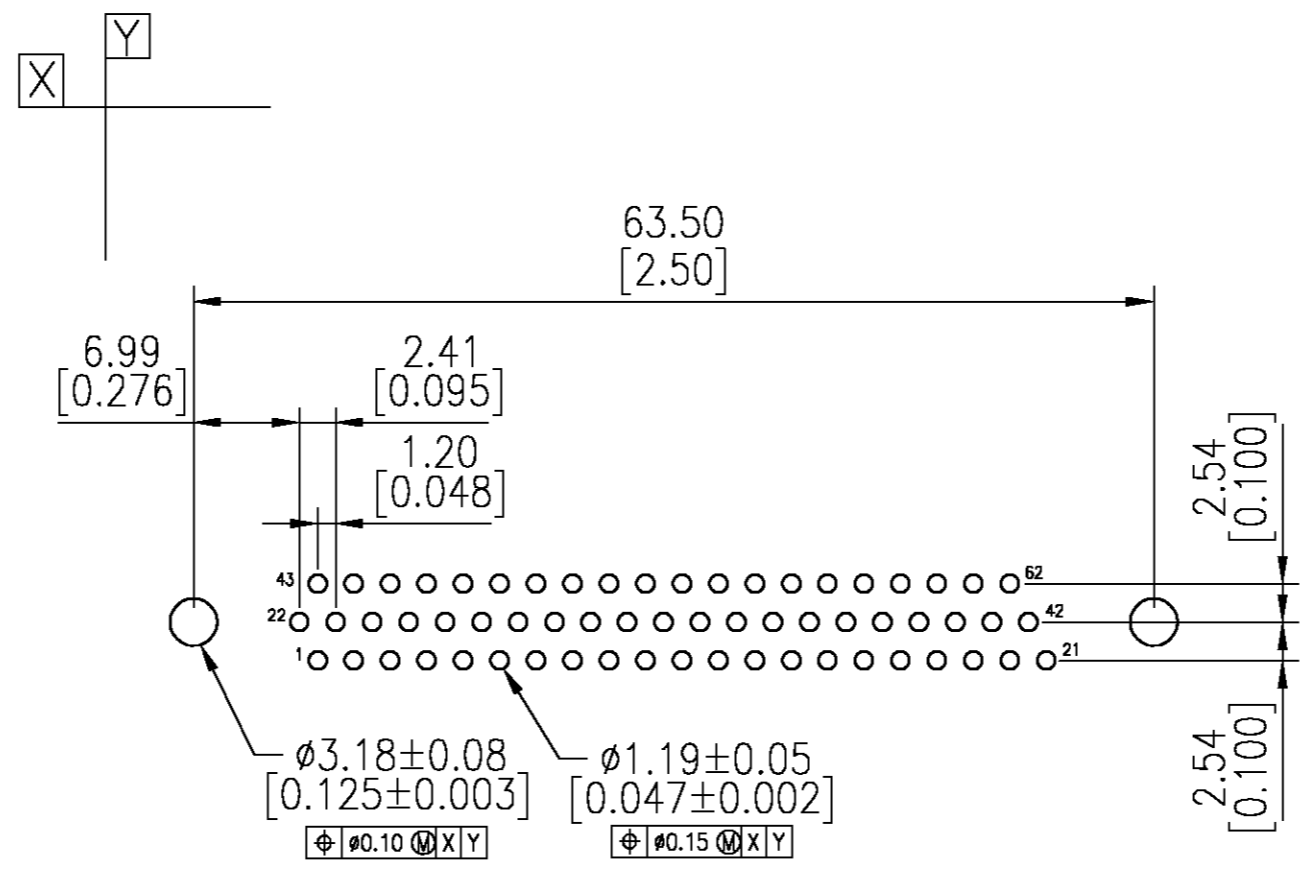
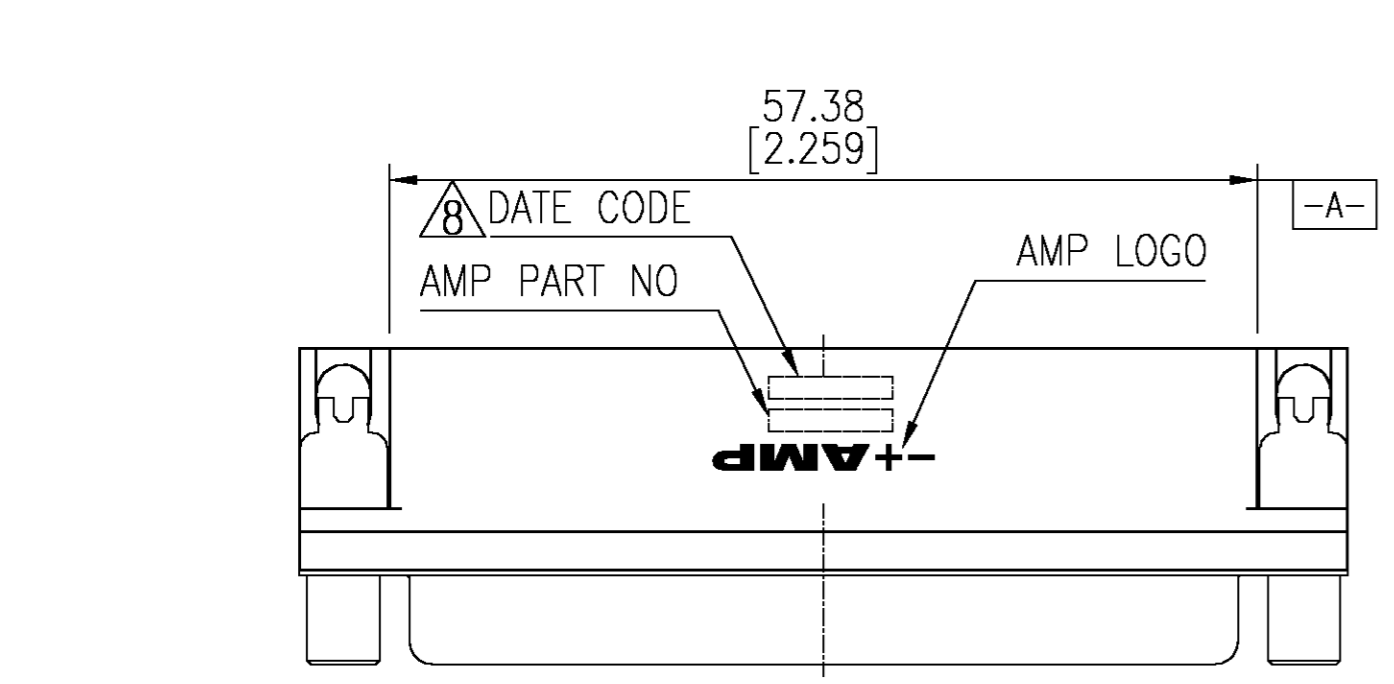
THIS DRAWING IS UNPUBLISHED. RELEASED FOR PUBLICATION
 © COPYRIGHT BY TYCO ELECTRONICS CORPORATION. ALL RIGHTS RESERVED.

Loc		DIST		REVISIONS			
P	LTR	DESCRIPTION	DATE	DWN	APVD		
GP	0	AE	REVISED PER OS13-0210-02	17DEC02	JB	CC	

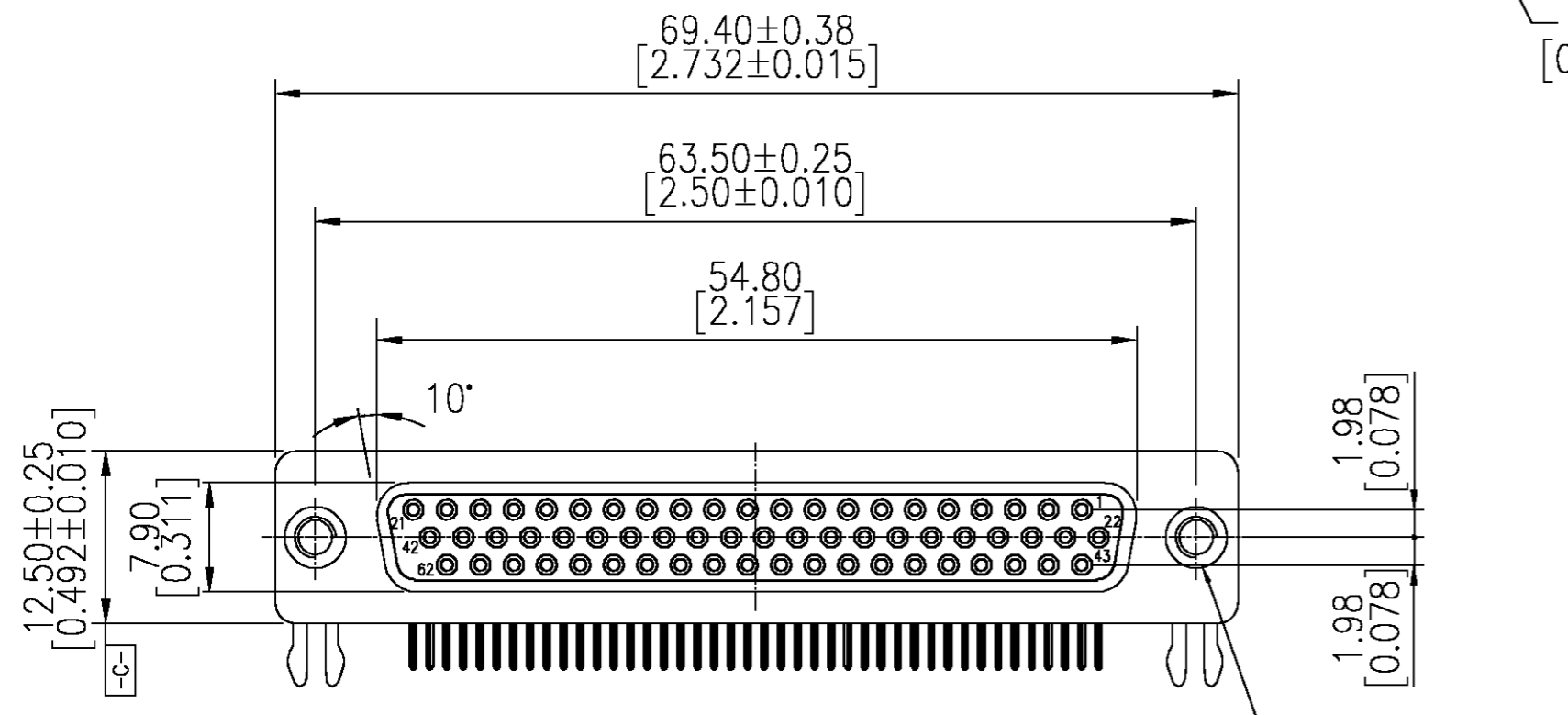
MATERIAL:

- Housing: PBT , 30 % G.F polyester, Black. (UL 94V-0 Rated)
 - Contact: Phos. Bronze.
 - Contact Plated: Gold Plated over 50u" Nickel underplated.
 - Solder Tail: Sn/Pb Plated 120u" over 50u" Nickel underplated.
 - Shell: Steel, Nickel Plated.
 - Boardlock: Brass, Tin or Sn/Pb Plated 100u"
 - Female Screwlock: Brass, Nickel plated 30u" Min.
- ⚠ Four digit date code in this format.

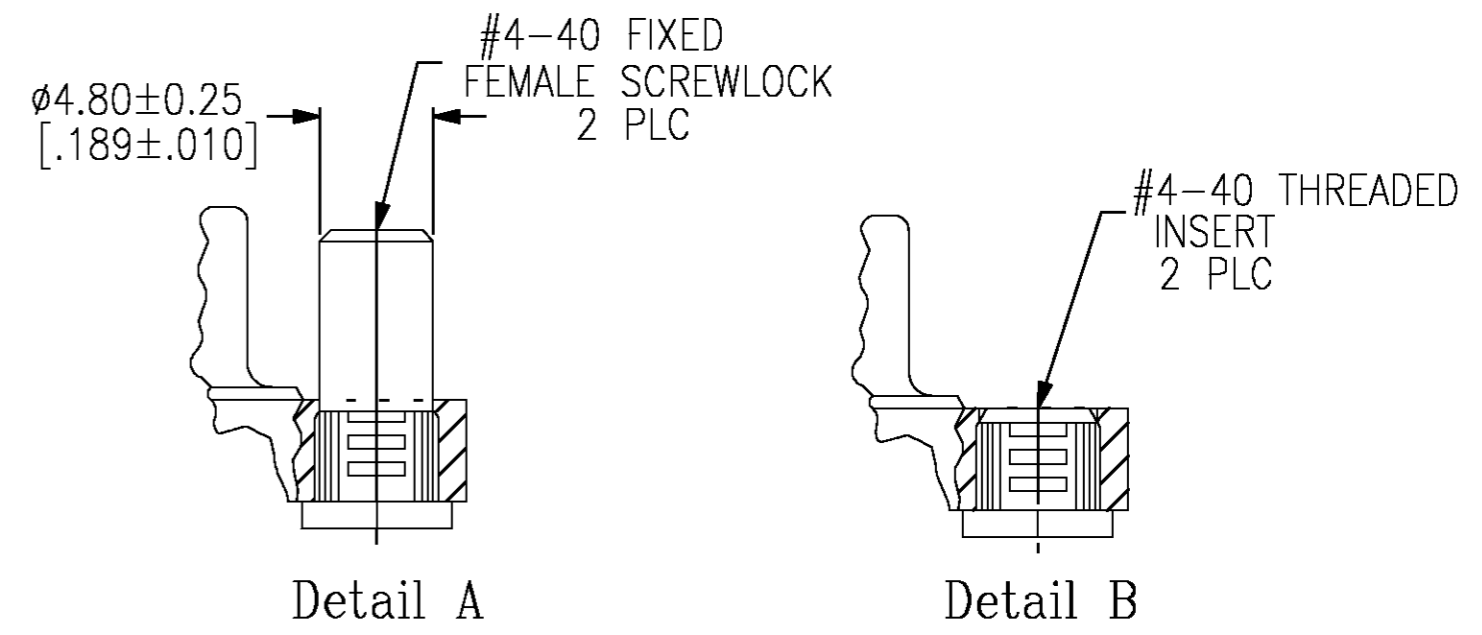
Year 01 45 Manufacturing Week



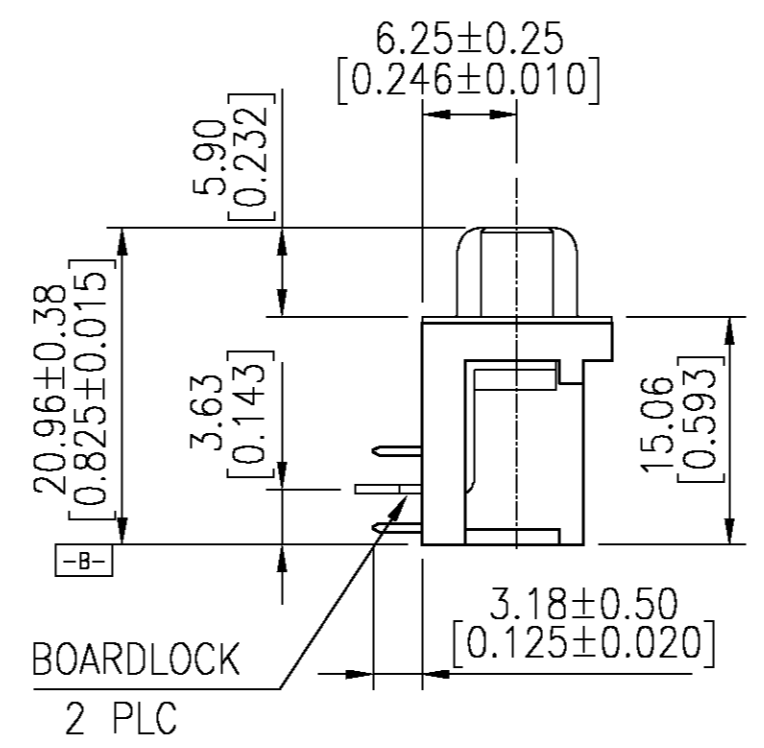
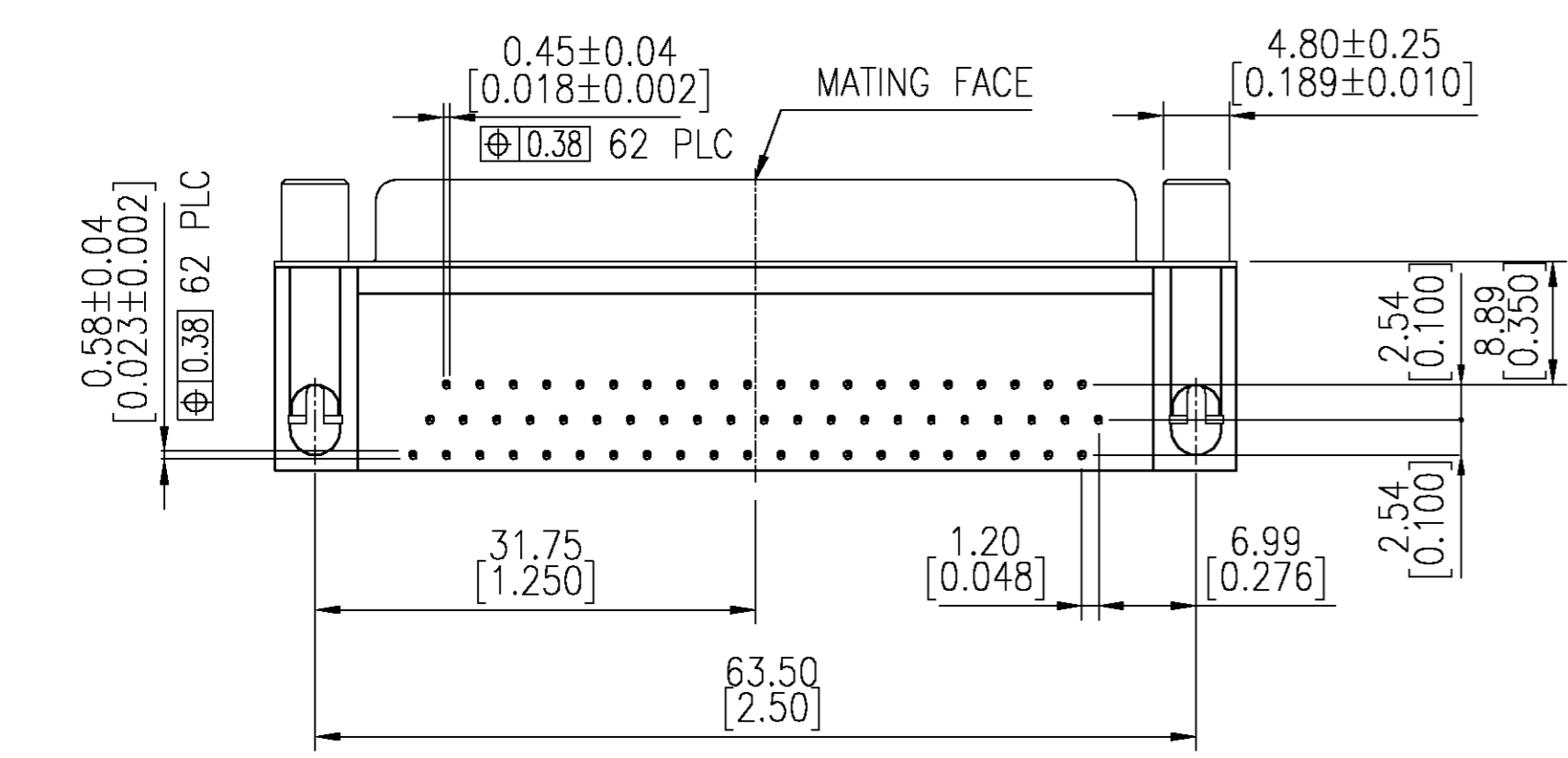
RECOMMENDED PCB LAYOUT



SEE TABLE FOR MOUNTING FLANGE CONFIGURATION



Tray	Detail A	Gold flash	2-748394-6
Tray	Detail A	15 μ"	2-748394-5
Tray	Detail B	Gold flash	2-748394-4
Tray	Detail B	15 μ"	2-748394-3
Tray	Detail A	30 μ"	748394-6
Tray	Detail B	30 μ"	748394-5
Packaging	Mounting Flange	Contact Finish	AMP Part NO.



BOARDLOCK 2 PLC

THIS DRAWING IS A CONTROLLED DOCUMENT.

DWN	J.BURWELL	15JULY02		Tyco Electronics Corporation	
CHK	C.CASH	15JULY02		NAME	
APVD	-	-	PRODUCT SPEC		
DIMENSIONS: MM			APPLICATION SPEC		
TOLERANCES UNLESS OTHERWISE SPECIFIED:			WEIGHT		
0 PLC	±	-	SCALE		
1 PLC	±	0.30	SHEET		
2 PLC	±	0.20	OF		
3 PLC	±	0.10	REV		
4 PLC	±	-	AE		
ANGLES	±	2'	CUSTOMER DRAWING		
FINISH	-	-	RESTRICTED TO		

SIZE: A2 CAGE CODE: 00779 C=748394