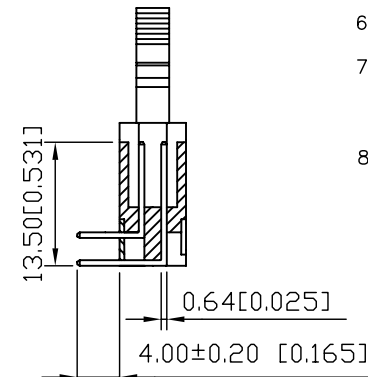
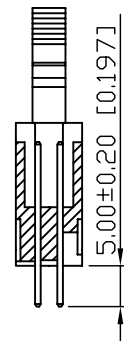
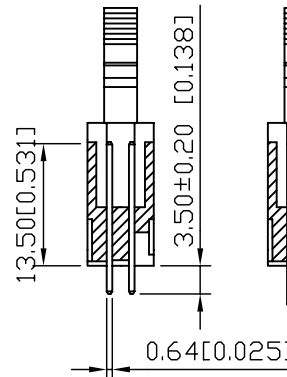
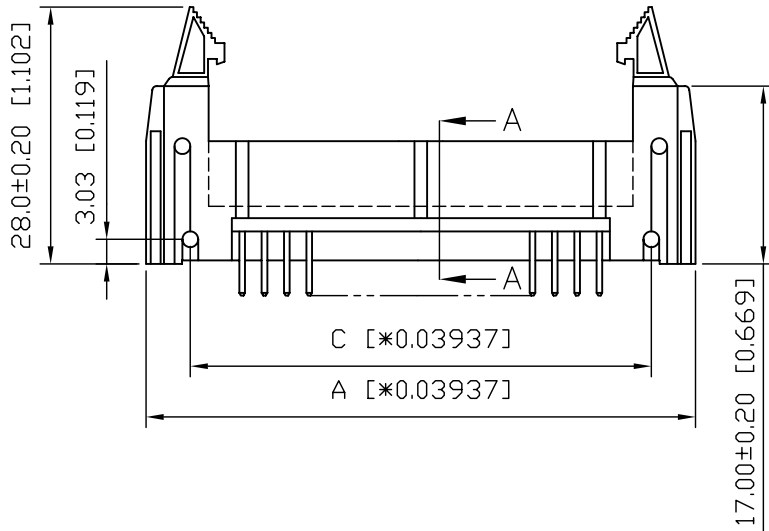
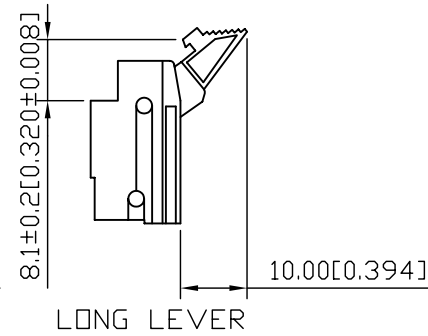
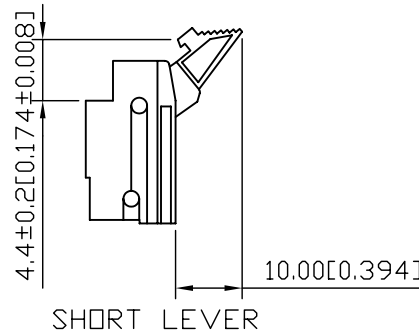
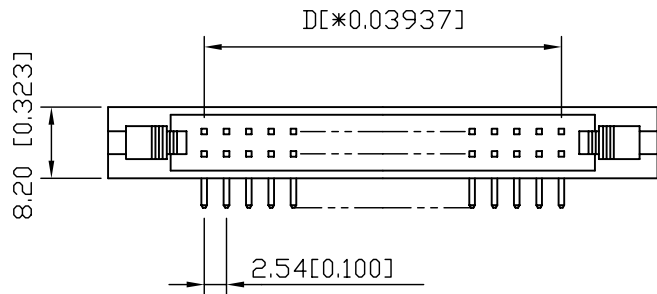


REV.	ZONE	LTR	DESCRIPTION	DATE	REVISER	APPD
5		△	RENEW DRAWING	4/11'00	TONY	

ORDERING INFORMATION: △

9B 1 3 2 - 10 3 4 -AB
(1) (2) (3) (4) (5) (6) (7) (8)

- SERIES NO.:
9B:2.54mm(.100)CENTER 4 SIDED SHROUDED HEADERS
- TYPE OF CONTACT:
1:STRAIGHT TYPE
2:RIGHT ANGLE TYPE
- HOUSING CONSTRUCTOR TYPES:
1.NO LATCHES
2.SHORT LATCHES
3.LONG LATCHES
- CONTACT TAIL TYPES:
1:3.0(FOR SOLDER TAIL)
2:3.6(FOR SOLDER TAIL)
3:11.94(FOR WRAPPING TAIL)
4:15.49(FOR WRAPPING TAIL)
5:5.00(FOR SOLDER TAIL)
- NO. OF CONTACT:
EX→34:34 PINS
(10,14,16,20,26,30,34,40,50,60,64)
- COLOR CODES:
1-BLUE 2-GRAY 3-BLOCK
- CONTACT FINISH:
4:ALL PLATED GOLD FLASH OVER 30μ" NICKEL
5:ALL PLATED 15μ" GOLD OVER 50μ" NICKEL
6:ALL PLATED 30μ" GOLD OVER 50μ" NICKEL
- SUFFIX NO.1:



CONTACTS	A	B	C	D	CONTACTS	A	B	C	D
10	32.00	18.25	21.80	10.17	34	62.50	48.90	52.30	40.65
14	37.05	23.20	26.90	15.25	40	70.10	56.35	59.90	46.27
16	39.60	25.90	29.35	17.79	50	82.85	69.15	72.70	60.97
20	44.70	31.00	34.50	22.67	60	95.50	81.90	85.35	73.67
26	52.32	38.50	42.20	30.49	64	100.60	87.10	90.50	78.75
30	57.40	43.70	47.30	35.57					

MATERIAL		TOLERANCE UNSPECIFIED	PART NO.	
		.0 0 0 ±		
		.0 0 ± 0.13		
FINISH		.0 ±	SCALE	UNIT
		ANGLE ±	non	mm(inch)
DRAWN		DESIGNER	NAME	
CHECKED		Winder	2.54mm(.100) CENTER 4 SIDED SHROUDED HEADERS (1463)	
APPROVED		Peterhu	DRAWING NO.	SHEET
			R-S109B-1	1/1
				REV. 5